

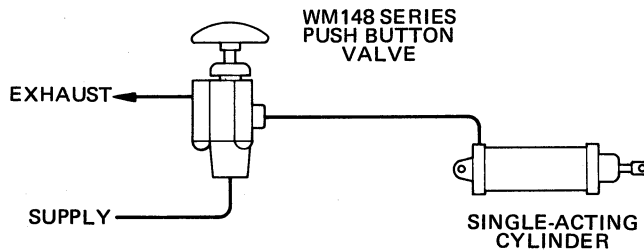
PRODUCT DESCRIPTION

DESCRIPTION The WM148 series consists of various spring-returned, three-way push button valves. These valves are available with several different button designs. All of the WM148 valves are operated manually by a button mounted to an actuating push stem.

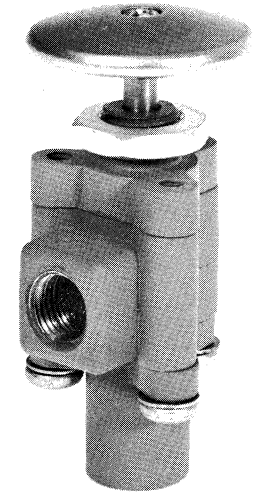
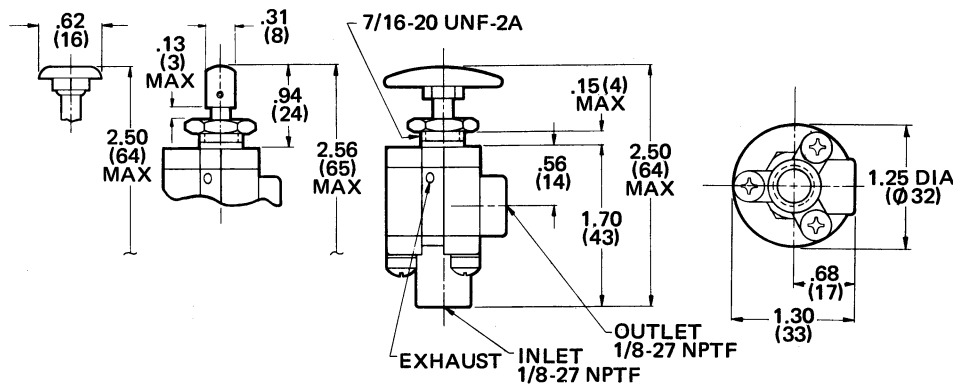
OPERATION The operator actuates the WM148 valve by depressing the button and stem. The stem closes the exhaust vent, opens the supply port, and allows supply pressure to flow to the outlet port. When the button and stem are released, the supply port closes to block pressure delivery. Any outlet pressure is released to the atmosphere through the exhaust vent.

APPLICATION The WM148 push button valves are universal application valves designed for controlling small air cylinders, relay valves, or air-operated accessories in industrial or vehicular pneumatic systems. Because these valves are often used to provide a control signal to other Williams Air Controls products, the WM148 valves are frequently supplied as components in Williams valve kits.

TYPICAL INSTALLATION



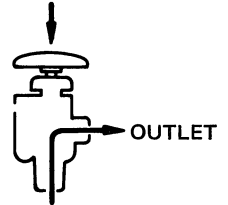
EXTERNAL CONFIGURATION



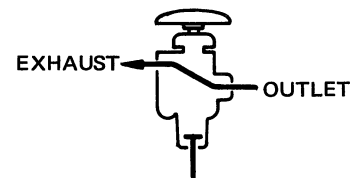
THREE-WAY PUSH BUTTON VALVE

FUNCTIONAL DIAGRAM

APPLICATION FORCE

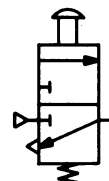


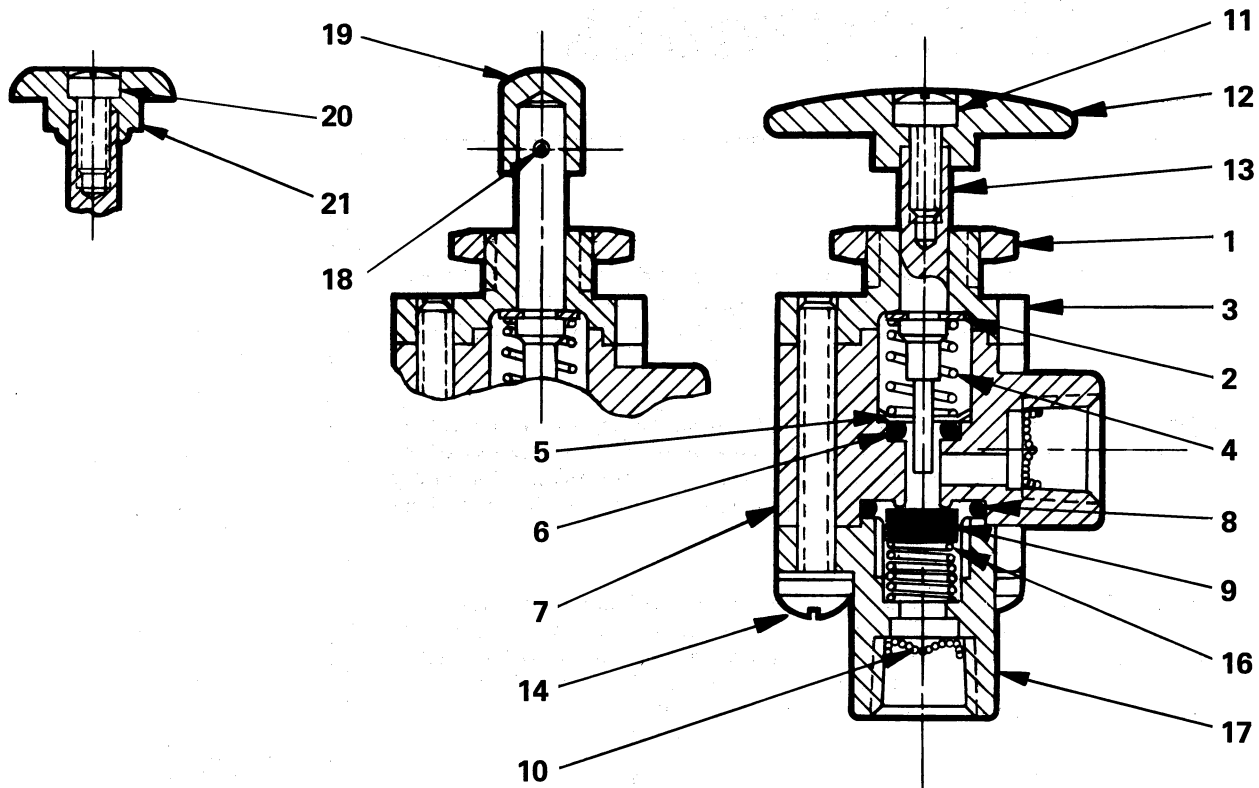
SUPPLY BUTTON APPLIED



BUTTON RELEASED

I.S.O. SYMBOL





SPECIFICATIONS

PORT SIZE 1/8-27 NPTF
 MAXIMUM OPERATING PRESSURE 150 PSI (1034,2 kPa)
 OPERATING TEMPERATURE* . . . -20°F to 200°F (-28,9°C to 93,3°C)
 FLOW RATING 15 SCFM @ 100 PSI (0,4 m³/min @ 690 kPa)
 MOUNTING Secured to Instrument Panel or Bracket
 MOUNTING ATTITUDE Optional
 MATERIALS: Body Castings Zinc Alloy

Stems:

WM148A & W Stainless Steel
 WM148B Aluminum

Button Actuators:

WM148A & W Chrome-Finished Zinc Alloy
 WM148B Nylon

NET WEIGHT 3.0 oz. (0,1 kg)

*For continuous operation beyond this range, contact factory.

TO ORDER, SPECIFY

WM148 _____

Model Number Suffix

PART NUMBER _____

SELECT SUFFIX & PART NUMBER BELOW

SUFFIX	PART NUMBER	ACTUATOR DESCRIPTION
WM148 A	111549	Small Knob
WM148 B	111550	Stem Cap
WM148 W	111561	Large Button

PARTS IDENTIFICATION									
ITEM	DESCRIPTION	QTY.			ITEM	DESCRIPTION	QTY.		
		A	B	W			A	B	W
1	NUT	1	1	1	12	BUTTON			1
2	RETAINING RING	1	1	1	13	STEM	1	1	1
3	MOUNTING BODY	1	1	1	14	SCREW	3	3	3
4	SPRING	1	1	1	NA	SPRING CAP	1		
5	RETAINING RING	1	1	1	16	SPRING	1	1	1
6	O-RING	1	1	1	17	INLET BODY	1	1	1
7	CENTER BODY	1	1	1	18	ROLL PIN		1	
8	O-RING	1	1	1	19	STEM CAP		1	
9	POPPET	1	1	1	20	SCREW	1		
10	SCREEN	1	1	1	21	KNOB	1		
11	SCREW			1					

This component is classified as a non-repairable item.