

Williams Controls Electronic Floor Pedal

WM-558

The Electronic Floor Pedal WM-558 is designed for all commercial vehicle applications.

The unit is equipped with a Hall Effect non-contact sensor that can be programmed for analog output and/or integrated switches. The electronics are IP68 and 69k sealed and highly EMI resistant (SAE J1113). In addition, the unit can be customized with contact or PWM output sensors.

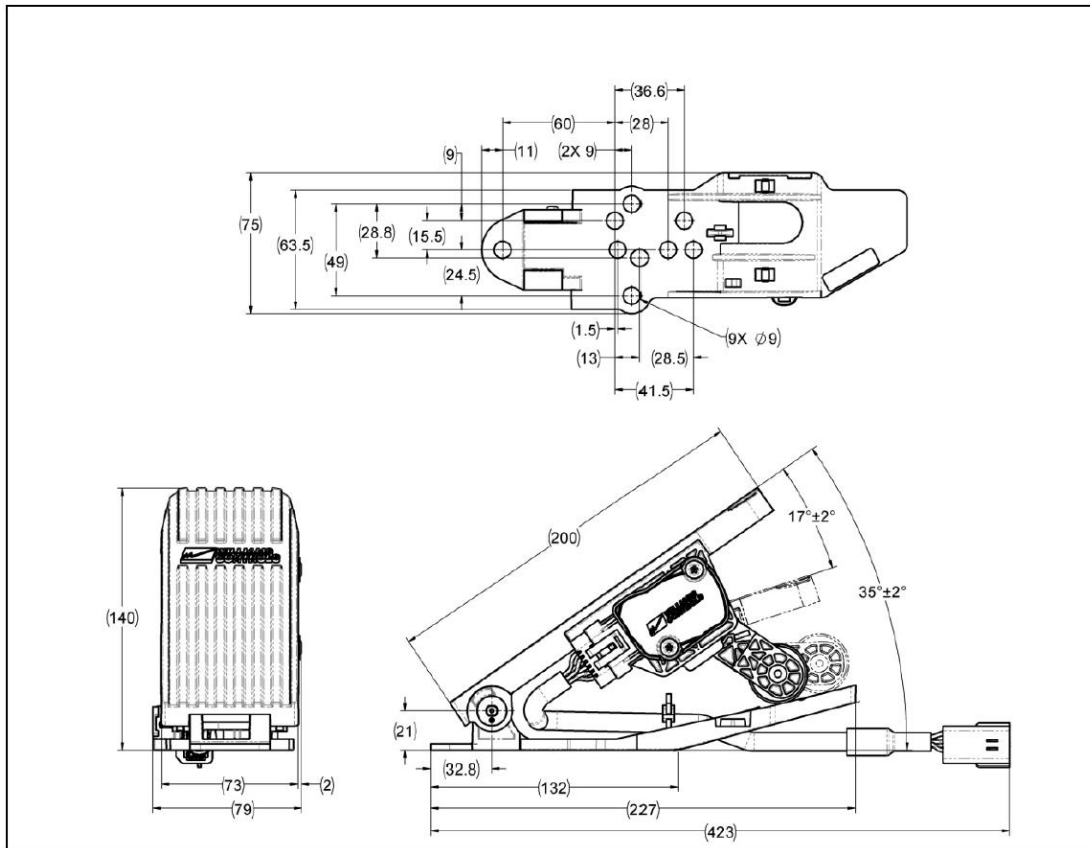
The Electronic Floor Pedal WM-558 is available with a standard treadle angle of 35 or 45 degrees. The Throttle Control is made out of high strength engineered plastics. The base plate has five mounting holes for various mounting options.



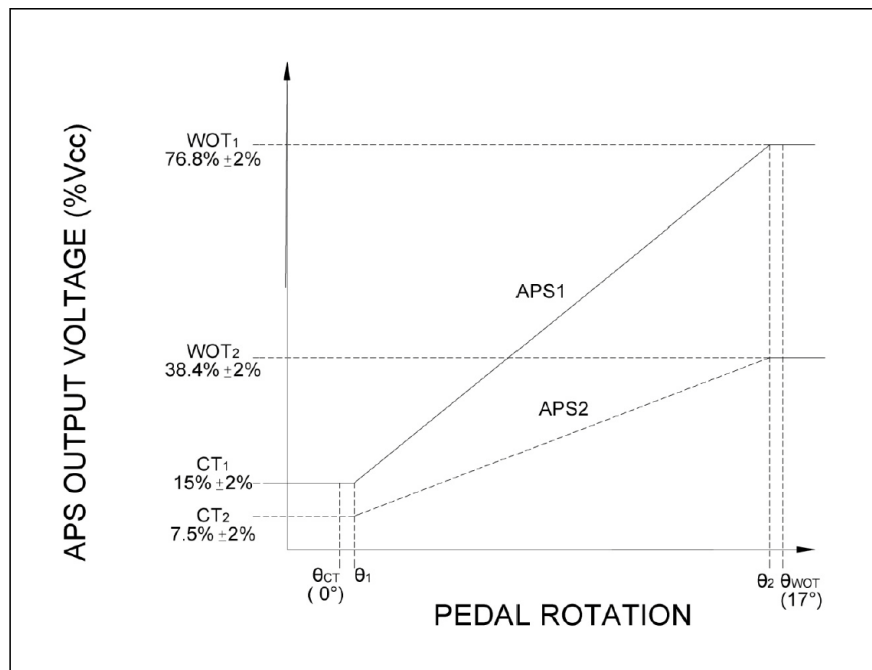
SPECIFICATIONS

PRODUCT LIFE	Full Travel Cycles	3,000,000
ELECTRONICS	Seal Integrity EMI	Electronics IP68 and 69k sealed (IEC 60529) SAE J1113 Compliant
ELECTRICAL	Output Signal	Dual APS, APS/IVS, APS/IVS/IVS, Dual PWM
PEDAL ANGLE	Degrees	35° or 45°
MECHANICAL	Operating force (at 150mm from pivot point) Static Load Vibration	Idle = 17N, Full Travel = 45N 1500N@ 150mm Random broadband up to 4g (3-axis, 3 hr. each axis,)
ENVIRONMENTAL	Operating Temp Range Storage Temp Range Humidity Sand/Dust	-40°C to 85°C -40°C to 105°C 95% RH for 120 hours, 27°C to 75°C Tested to SAE J1455
MATERIALS	Base plate Foot treadle	Diecast Aluminum or Composite Plastic Composite Plastic

MECHANICAL DIMENSIONS (mm)



TYPICAL OUTPUT CHARACTERISTICS (Other outputs are available)



© 2014 Curtiss-Wright. All rights reserved. Specifications are subject to change without notice. All trademarks are property of their respective owners.

WM558-08/15

**CURTISS-
WRIGHT**

USA
Portland
Oregon
T: +1.509.684.8600
F: +1.503.684.3879
info@wmco.com
www.cw-industrial.com

Europe
Christchurch
United Kingdom
T: +44.1425.271444
F: +44.1425.272655
sales@pgdt.com
www.cw-industrial.com

Asia
Shanghai
China
T: +86.213.3310670
sales@pennyandgiles.com.cn
www.cw-industrial.com