

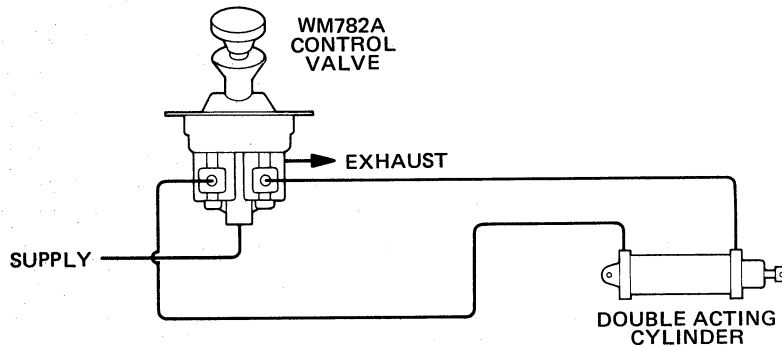
PRODUCT DESCRIPTION

DESCRIPTION The WM782 series is composed of non-compensating, four way control valves with two functional positions. Two models are available: The WM781A1 which features a detent in each of the control lever's functional positions, and the WM781A which is equipped with a spring-loaded lockout safety device which locks the control lever in both positions to prevent unintentional movement.

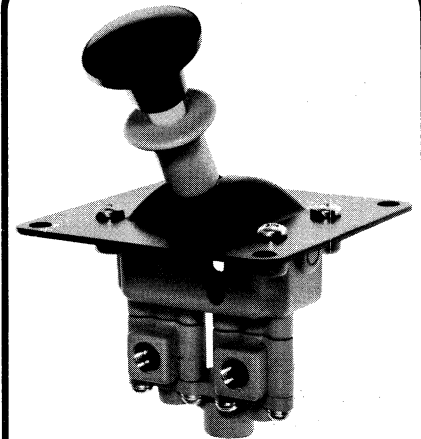
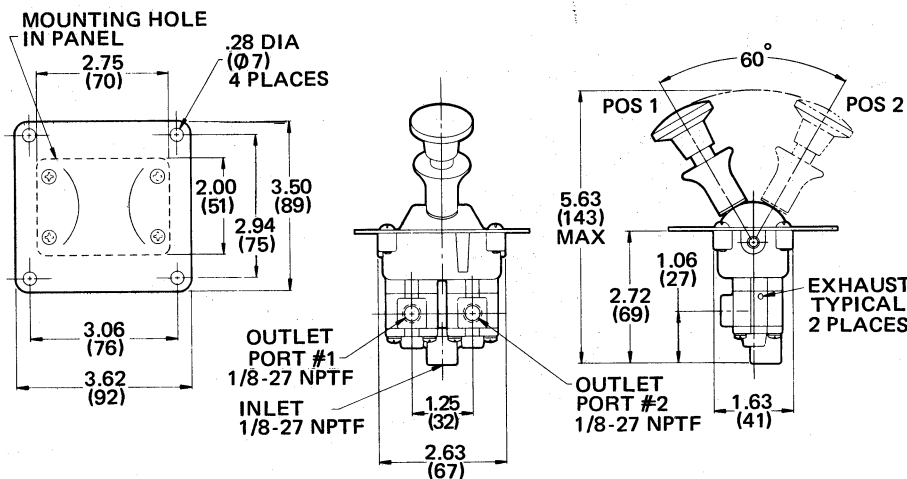
OPERATION When the WM782's control lever is in Position 1 (Refer to External Configuration.), outlet port 2 receives supply pressure and outlet 1 is exhausted. When the control lever is moved 60° to Position 2, outlet port 1 receives supply pressure and outlet 2 is exhausted.

APPLICATION WM782A valves are designed for the control of double acting cylinders. They are frequently used to control the actuation of power take off systems which engage and disengage by an air pressure signal.

TYPICAL INSTALLATION

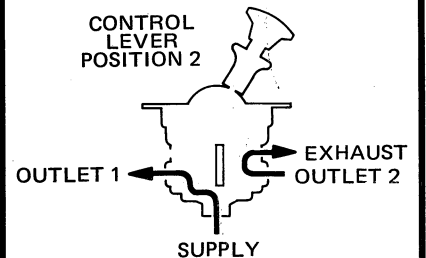
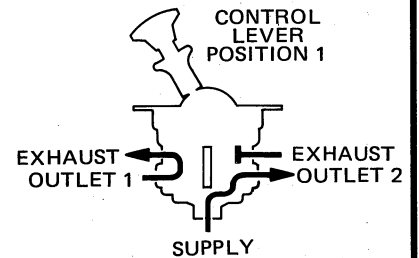


EXTERNAL CONFIGURATION

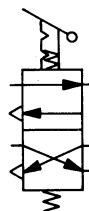


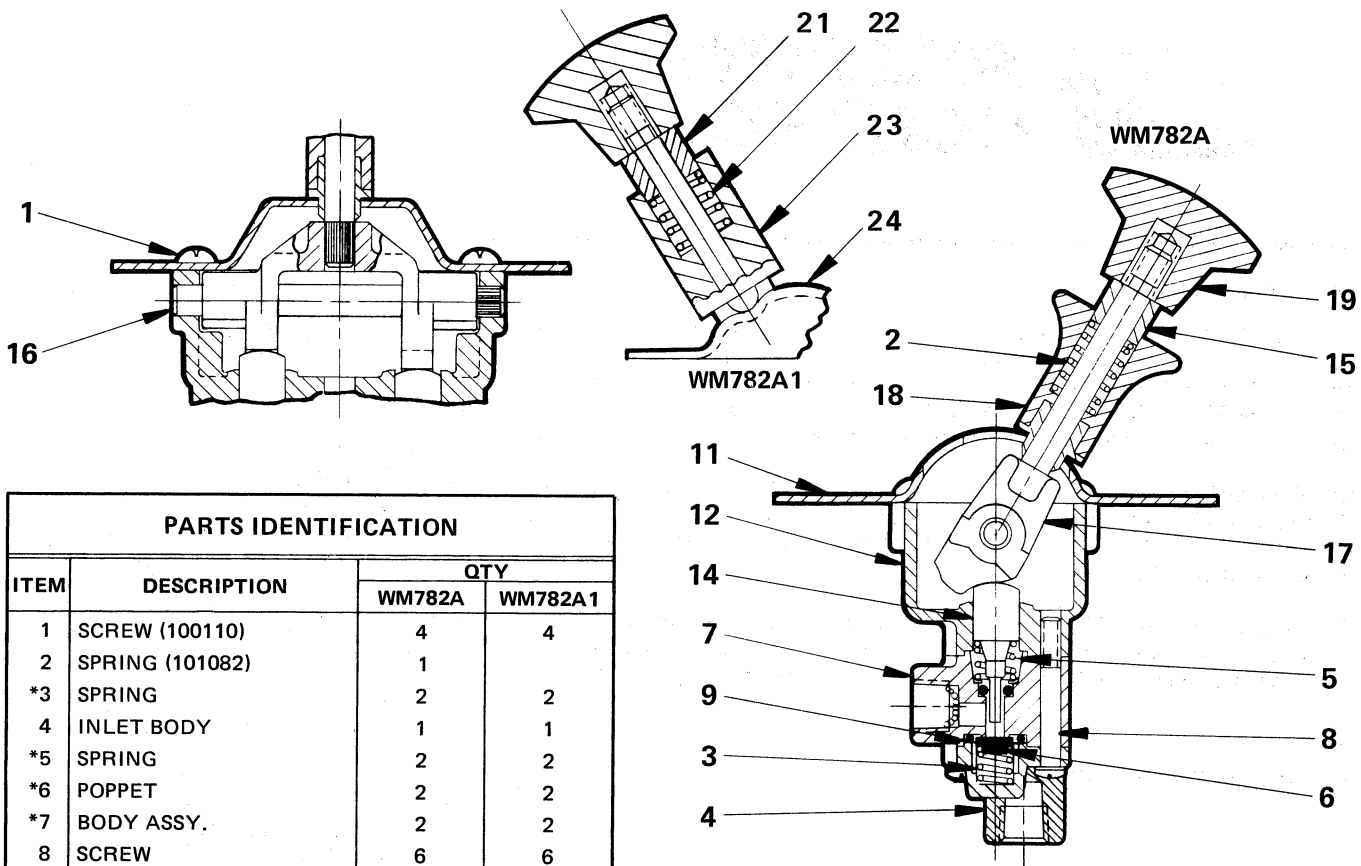
TWO POSITION FOUR-WAY CONTROL VALVE

FUNCTIONAL DIAGRAM



I. S. O. SYMBOL





PARTS IDENTIFICATION			
ITEM	DESCRIPTION	QTY	
		WM782A	WM782A1
1	SCREW (100110)	4	4
2	SPRING (101082)	1	
*3	SPRING	2	2
4	INLET BODY	1	1
*5	SPRING	2	2
*6	POPPET	2	2
*7	BODY ASSY.	2	2
8	SCREW	6	6
*9	O-RING	2	2
11	VALVE COVER (118288)	1	
12	UPPER BODY	1	1
*14	VALVE STEM	2	2
15	HANDLE BUSHING (118295)	1	
16	LEVER PIN	1	1
17	CAM ASSY. (118491)	1	1
18	LATCH ASSY. (118303)	1	
19	KNOB (118305)	1	1
21	HANDLE BUSHING (118718)		1
22	SPRING (101685)		1
23	HANDLE DETENT (118719)		1
24	VALVE COVER (118715)		1
NA	1/8 MALE TO 1/4 FEMALE NPTF 90° ELBOW (FOR OUTLETS)		2
NA	1/8 MALE TO 1/4 FEMALE NPTF ADAPTER (FOR INLET)		1

Service these units with two number 118400 repair kits.
 *Asterisk designates parts included in repair kit.

SPECIFICATIONS

PORT SIZE 1/8-27 NPTF
 (WM782A1 supplied w/1/4-18 NPTF adapters)

MAXIMUM OPERATING PRESSURE. 150 PSI (1034, 2 kPa)

OPERATING TEMPERATURE* . . -20°F to 200°F (-28, 9°C to 93, 3°C)

FLOW RATING. .15 SCFM @ 100 PSI (0,4 m³/min @ 690 kPa) each side

MOUNTING. Panel Mounted

MOUNTING ATTITUDE Optional

MATERIALS: Body Castings Die Cast Zinc Alloy
 Actuating Cam Die Cast Zinc Alloy
 Poppet Buna N
 O-Rings. Buna N
 Actuating Lever Shaft Steel
 Knob Black Plastic
 Safety Lockout (WM782A1 only) . . . Yellow Plastic

NET WEIGHT: WM782A. 1 lb., 1 oz. (0, 5 kg)
 WM782A1 1 lb., 4 oz. (0, 6 kg)

*For continuous operation beyond this range, contact factory.

TO ORDER, SPECIFY				
WM782A _____				
		Model Number	Suffix	
PART NUMBER _____				
SELECT SUFFIX & PART NUMBER BELOW				
SUFFIX	PART NUMBER	LEVER FEATURES	1/8 to 1/4 NPTF FITTINGS	INTERCHANGES W/ WABCO P/N
WM782 A	118316	SAFETY LOCKOUT	NO	2-HA-2LY(P59341-0001)
WM782 A1	118711	TWO DETENTS	YES	2-HA-2Y (P59340)