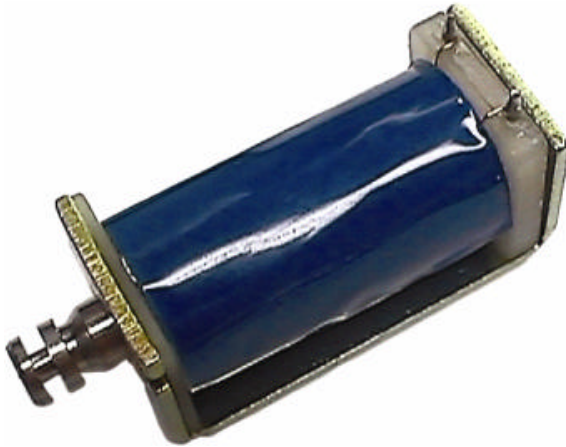
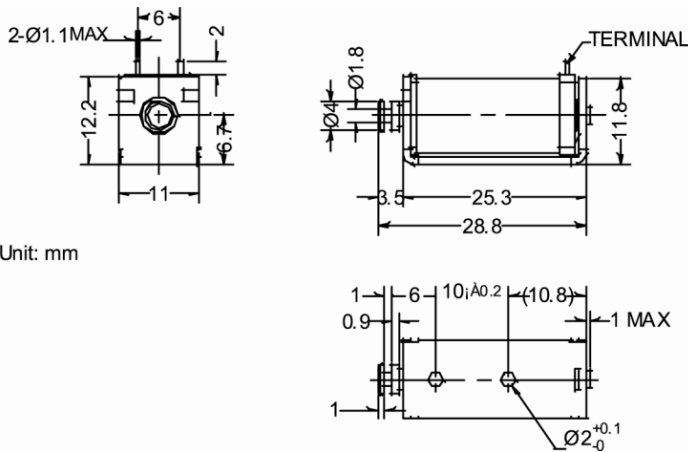


C-Frame Solenoid

GC0425

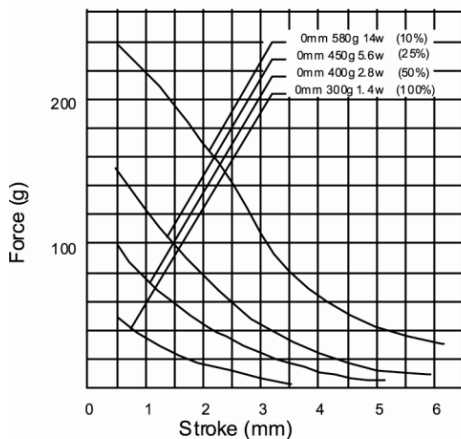


- Pull Type
- Thrust Type
- Flying Leads
- Terminals
- Zinc Plated Frame
- Nickel Plated Plunger
- Customised Plunger Ends
- Customised Fixings
- Optional Voltages

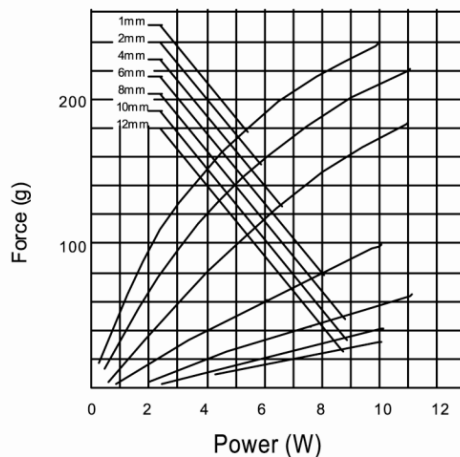


Unit: mm

Stroke and Force



Power and Force



Standard Coil Specifications
Cont. rating(at20°C):1.4w

Voltage(VDC)	Resistance(Ω)	Current(mA)
6	25.7	233
12	102.8	117
24	413.8	58

Total weight : 10g
Plunger weight : 3g