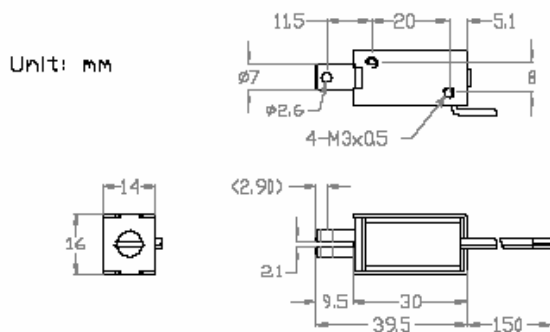


D-Frame Solenoid

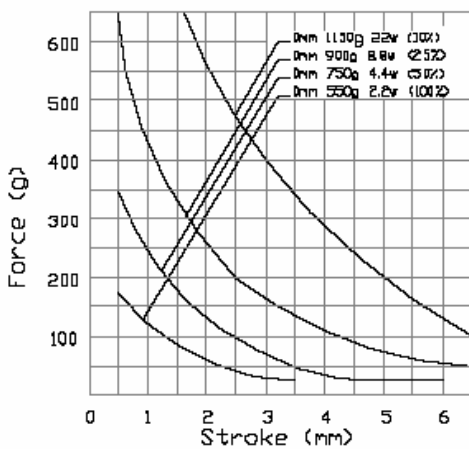
GD0730



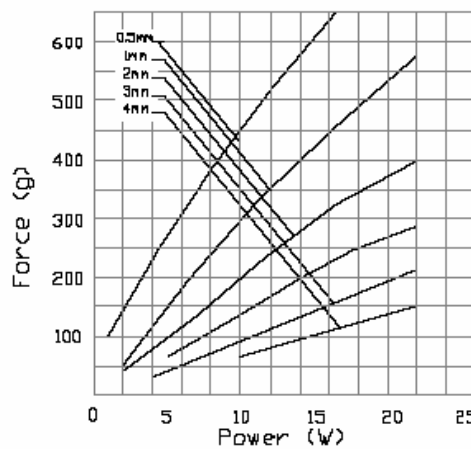
- Pull Type
- Thrust Type
- Flying Leads
- Terminals
- Zinc Plated Frame
- Nickel Plated Plunger
- Customised Plunger Ends
- Customised Fixings
- Optional Voltages



Stroke and Force



Power and Force



Standard Coil Specifications

Cont. rating (at 20°C): 2.2w

Voltage (VDC)	Resistance (Ω)	Current (mA)
6	16.4	366
12	65.5	183
24	262	92
48	1047	46

Total weight : 33g

Plunger weight : 8g