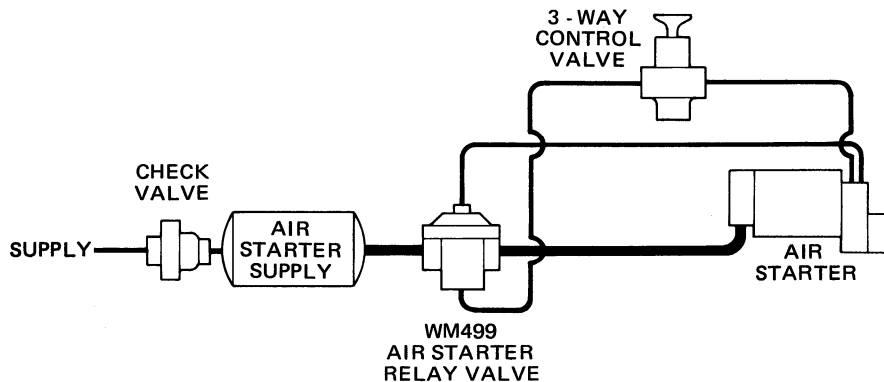
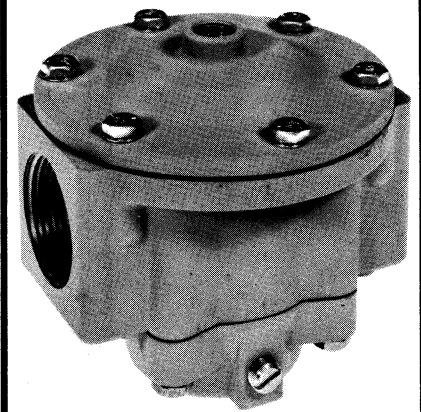
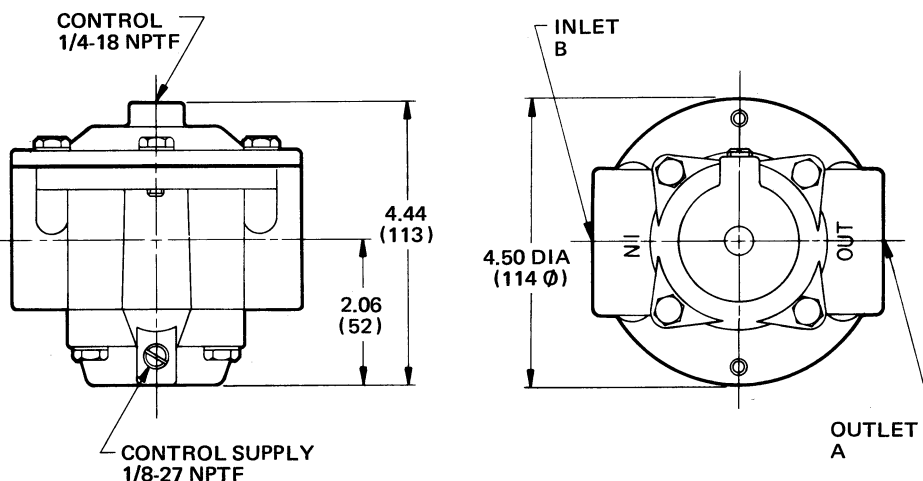
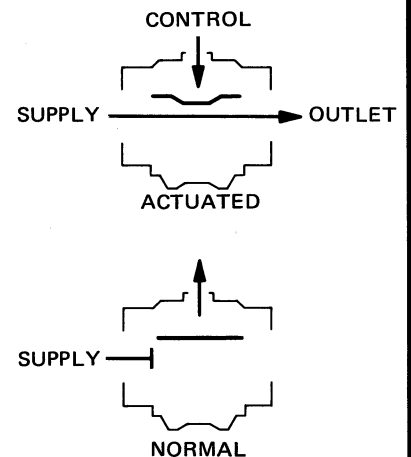
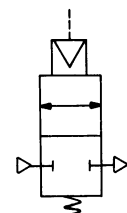


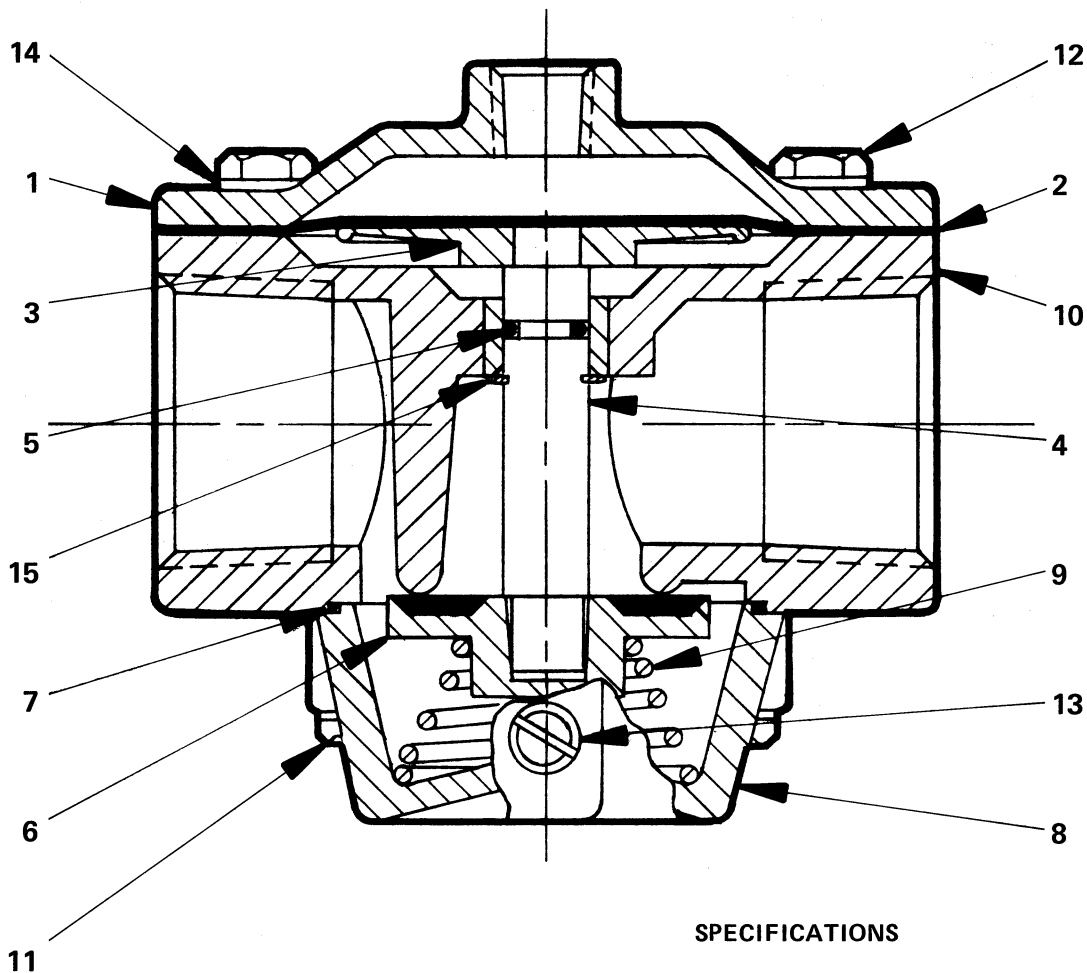
PRODUCT DESCRIPTION

DESCRIPTION The WM499 air starter relay valves are normally closed, non-compensating, two-way relay valves engineered specifically for use with air starters. Suitable for large tubing, the WM499 relay valves are capable of high air flow capacity.

OPERATION To open the valve and allow delivery, the WM499 relay valve is actuated by pressure from a control. With a control pressure of only 30%-35% of the supply pressure, the WM499 valve will open to permit large capacity delivery. A control pressure of approximately 30 PSI (207 kPa), for example, will open the valve against a supply of 100 PSI (690 kPa). When open, the relay valve allows a maximum output pressure equal to the supply pressure. When the control pressure is removed, an internal spring causes the valve to return to its normally closed position.

APPLICATION WM499 relay valves are engineered for use with air starters in industrial and vehicular applications. WM499 air starter relay valves are especially suited for other applications requiring high flow capacity. **MARINE APPLICATIONS:** This device meets the pressure test requirements specified in "Marine Engineering Regulations" (CG-115). Documentation is available upon request.

TYPICAL INSTALLATION

EXTERNAL CONFIGURATION

**AIR
STARTER
RELAY**
FUNCTIONAL DIAGRAM

I.S.O. SYMBOL




SPECIFICATIONS

PORT SIZES: Inlet and Outlet: WM499B. 1" NPTF
 WM499C. 1-1/4" NPTF
 Control. 1/4" NPTF
 Control Supply 1/8" NPTF

MAXIMUM OPERATING PRESSURE. 150 PSI (1034,2 kPa)
 OPERATING TEMPERATURE* . . . -20°F to 200°F (-28,9°C to 93,3°C)
 FLOW RATING. . . . 1400 SCFM @ 100 PSI (39,7 m³/min @ 690 kPa)
 PRESSURE REQUIRED TO OPEN VALVE 30%-35% of Supply
 MOUNTING. By Inlet and/or Outlet Ports
 MOUNTING ATTITUDE Control Port Up Recommended

MATERIALS: Body Castings Die Cast Aluminum Alloy
 Diaphragm. Fabric-Reinforced Buna N
 O-Rings. Buna N
 Poppet Molded Buna N with Aluminum Backing

NET WEIGHT. 3 lbs. 5 oz. (1,5 kg)
 *For continuous operation beyond this range, contact factory.

PARTS IDENTIFICATION		
ITEM	DESCRIPTION	QTY
1	COVER (102064)	1
* 2	DIAPHRAGM	1
3	DIA. PLATE (102066)	1
4	SHAFT	1
* 5	O-RING	1
* 6	POPPET	1
* 7	O-RING	1
8	COVER	1
9	SPRING	1
10	BODY	1
11	SCREW	4
12	SCREW	6
13	FITTING	1
14	WASHER	10
* 15	RETAINING RING	1

Service this unit with repair kit number 114461.
 *Asterisk designates parts included in repair kit.

TO ORDER, SPECIFY			
WM499 _____			
Model Number		Suffix	
PART NUMBER _____			
SELECT SUFFIX & PART NUMBER BELOW			
SUFFIX	PART NUMBER	PORT SIZE	
		OUTLET A	INLET B
WM499 B	113469	1" NPTF	1" NPTF
WM499 C	113470	1 1/4" NPTF	1 1/4" NPTF