

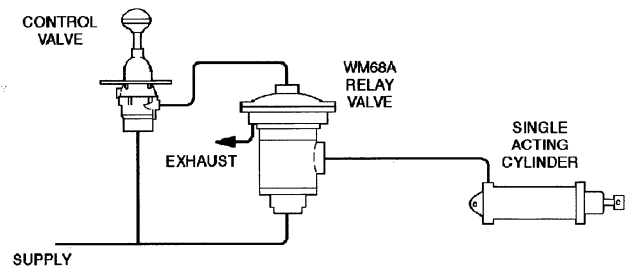
WM68A Three-Way Directional Relay Valve

300 SCFM @ 100 PSI

DESCRIPTION

The WM68A is a three-way directional relay with a 300 SCFM flow capacity. A control signal equal to 15-20% of supply pressure is required to open this normally closed valve.

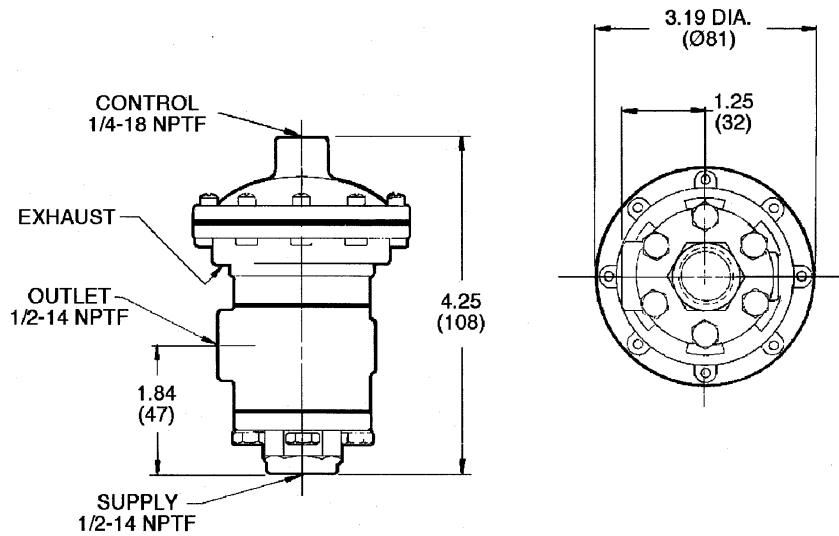
As illustrated in the drawing, the WM68A is used to speed response of large capacity pneumatic devices. A small control valve can deliver a sufficient signal to open or close the WM68A and move a large volume of air to or from the downstream actuator very rapidly.



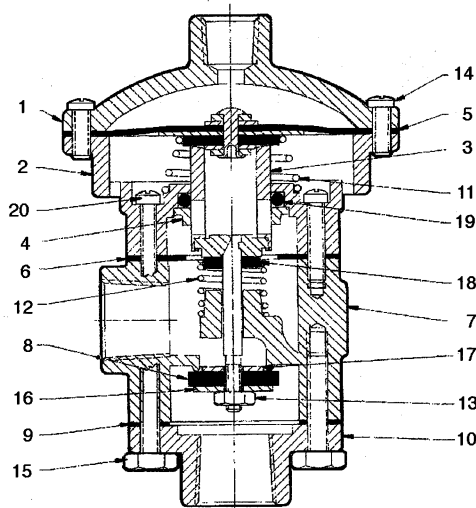
SPECIFICATIONS

Port size: Inlet and outlet.....	1/2-14 NPTF
Control.....	1/4-18 NPTF
Maximum supply pressure.....	150 PSI (1034 kPa)
Operating temperature.....	-20°F to 200°F (-29°C to 93°C)
Flow rating.....	300 SCFM @ 100 PSI (8 m ³ /min @ 690 kPa)
Cracking pressure.....	Approximately 15-20% supply pressure
Mounting.....	In-line
Mounting attitude.....	Control port up recommended
Materials: Body castings.....	Iridited die cast zinc alloy
Diaphragm.....	Fabric reinforced Buna N
Poppets.....	Buna N
O-ring.....	Buna N
Weight.....	2 lb (0,9 kg)

DIMENSIONAL DATA



CROSS SECTION & PARTS INFORMATION



Item	Description	Part Number	Qty	Item	Description	Part Number	Qty
1	Cover	101209	1	11	Spring	101215	1
2	Control Body	101210	1	12	Spring	101047	1
3	Tube	101216	1	13	Hex Nut	114530	1
4	Retain Ring	101212	1	14	Screw	114859	8
*5	Diaphragm Assembly	101213	1	15	Screw	118708	6
*6	Gasket	101214	1	16	Washer	115035	1
7	Body	101088	1	17	Washer	115054	1
*8	Washer	101205	1	*18	O-ring	116297	1
*9	Gasket	101206	1	*19	O-ring	116318	1
10	Inlet Body	101207	1	20	Screw	130543	6

*Item is included in repair kit. Service this unit with repair kit 114075. Highlighted items may be purchased separately.

ORDERING INFORMATION

To order, specify **WM68A**, part number 111199.