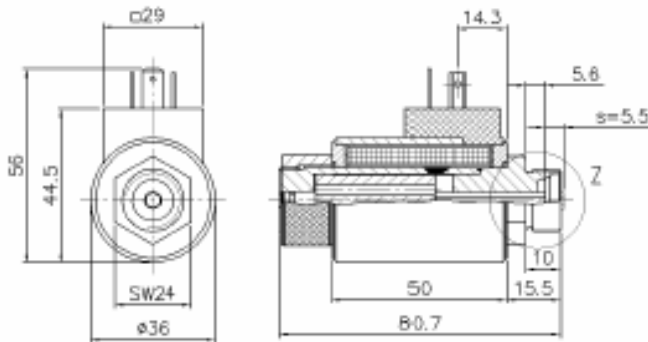


# Pressure Proof Solenoid

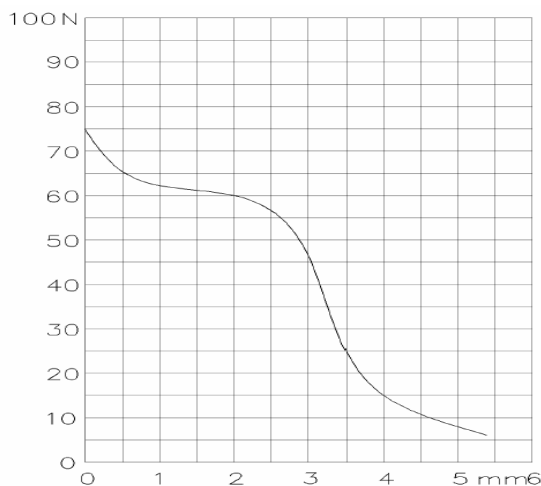
**GT4036**



- Pull Type
- Thrust Type
- Flying Leads
- Terminals
- Fully Potted
- Manual Actuator
- Alternative Fixings
- Optional Voltages
- Optional Power Ratings
- Zinc Plated Shell
- Interchangeable Coil



FORCE / STROKE



**TECHNICAL DATA**

Nominal voltage	24Vdc
Power consumption	25 Watt
Other voltages and power ratings available	
Pressure rating	210 Bar
Insulation class	H
Protection class (DIN40050)	IP65
Duty rating	100%ED
Maximum stroke	5.5 mm
Working stroke	2.5 mm