

Arens Controls

Hydraulic Lever Control

C8 Series (C84 and C85)

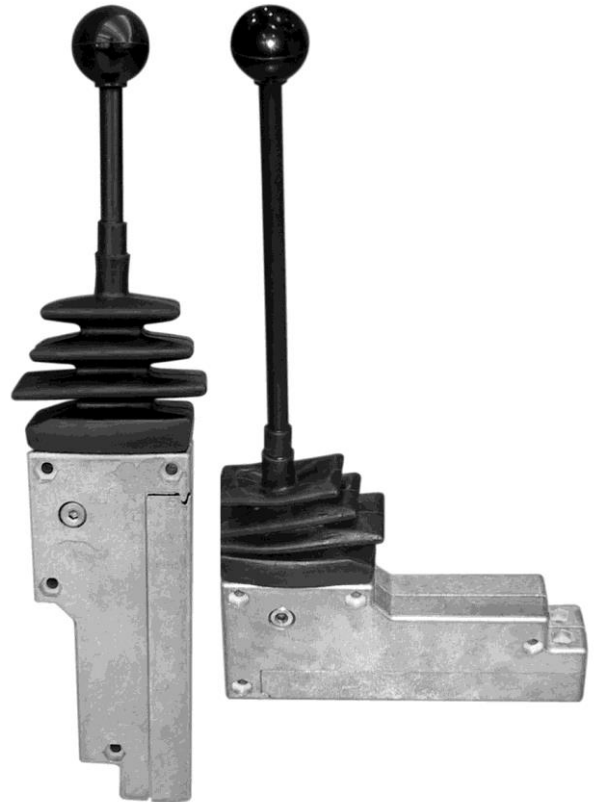
The C8 Series offers simple, rugged single-axis operator controls for remote actuation of a hydraulic valve. These controls are designed to actuate push-pull control cables. The C8 series compact size and minimal foot-print helps streamline operator workstations for Off-Highway, Construction and Agricultural machines.

The C8 Series levers are ideal for rugged applications requiring a heavy-duty lever for actuating hydraulic spool valves, winch valves or transmission valves. The C84 is positioned at 90° to the cable, while the C85 is positioned in line with the cable.

The Input Levers can be made to accommodate almost any configuration, bridging the gap between the required dashboard placement of the control body and the optimal control grip location for the operator. This allows the OEM design team to easily accommodate the ideal location for installation and operator comfort.

The C84 and C85 are available with the standard ball-knob handle as well as optional ergonomic knobs and locking handle knobs.

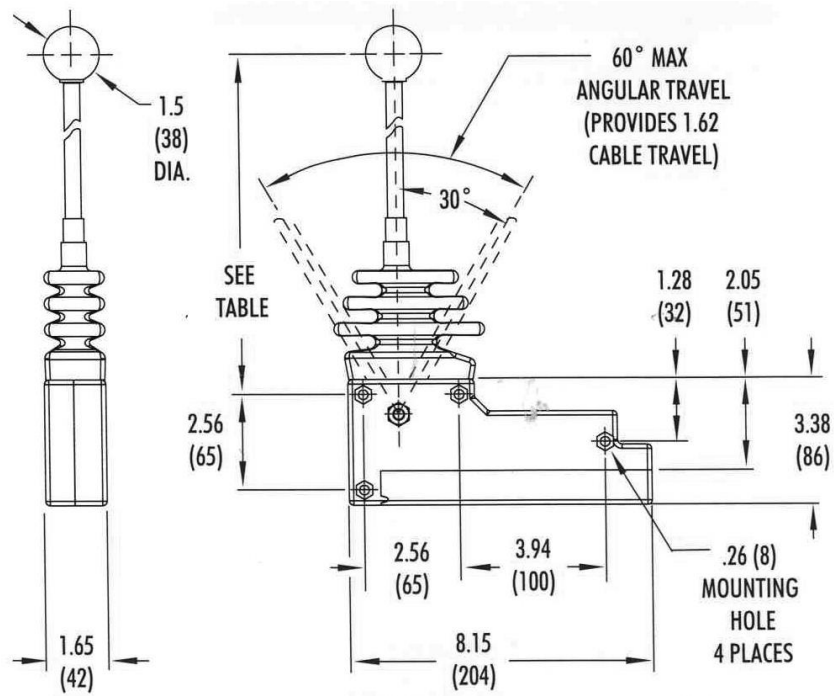
The Control Grip handle offers push button or rocker switches in the thumb-positions under durable EPDM covers as well as single or dual pushbuttons on the handle body for finger actuation.



SPECIFICATIONS

VALVE CONTROL	2-Position control	Actuates one valve
INPUT MOTION	Symmetrical	±30°
OUTPUT STROKE	Push-Pull or Rod Linkage	±0.81 inch (±20 mm)
STANDARD CONNECTIONS	Push-Pull Cable Push-Pull Cable	1/4-28 5/16-24
LOAD	Working Load	100 lbs (445 N) for 1/4 -28 Cable 200 lbs (890 N) for 5/16-24 Cable
MATERIALS	Body Lever Top Boot	Zinc (Die Cast) Steel Molded
CONTROL HANDLE	Ball Knob Control Grip Joystick	Standard Optional Optional

MECHANICAL DIMENSIONS – for C84 (mm)



MECHANICAL DIMENSIONS – for C85 (mm)

