

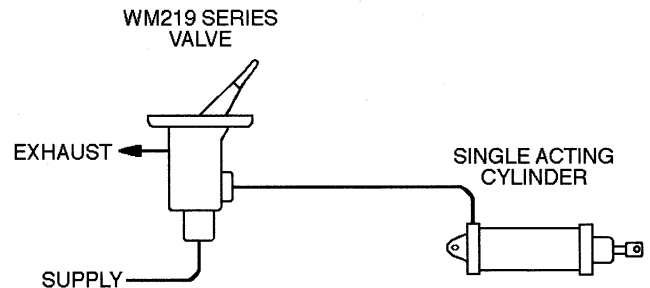


WM219 Series Three-Way Two Position Toggle Valve

150 PSI MAXIMUM

DESCRIPTION

The WM219 series are two position, three-way toggle valves, which are equipped with heavy duty metal control levers. Designed for panel mounting, these valves are available with various porting configurations. The WM219 toggle valves are universal application valves that are commonly used to control air pressure-operated relay valves, cylinders, PTOs and fifth wheels.

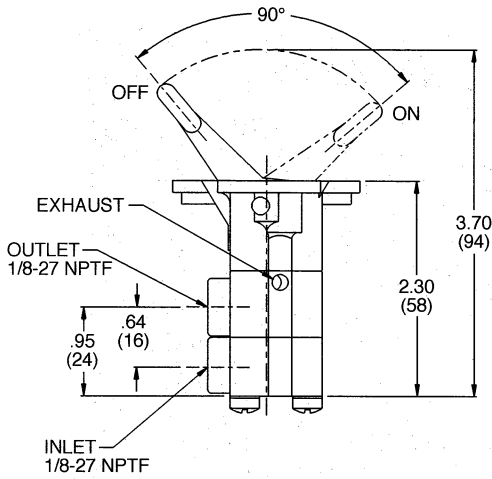


SPECIFICATIONS

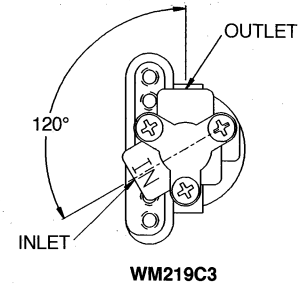
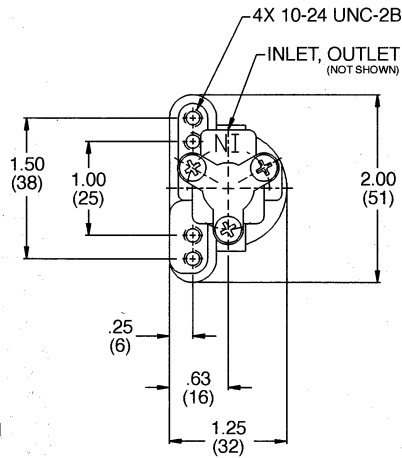
Port size	1/8-27 NPTF
Maximum supply pressure	150 PSI (1034 kPa)
Operating temperature*	-20°F to 200°F (-29°C to 93°C)
Flow rating	15 SCFM @ 100 PSI (0,4 m ³ /min @ 690 kPa)
Mounting	Secured to control panel with two 10-24 fasteners
Mounting attitude.....	Optional
Materials: Body castings & lever.....	Iridited die cast zinc alloy
Poppet and O-rings.....	Buna N
Weight	5 oz (0,1 kg)

* For continuous operation beyond this range, contact factory.

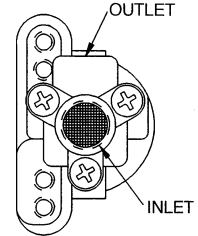
DIMENSIONAL DATA



WM219C1

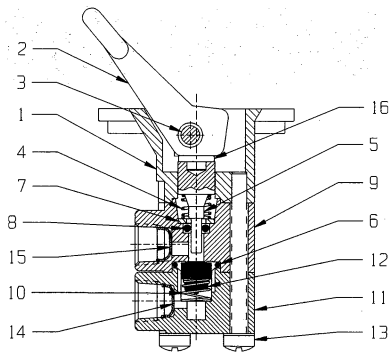


WM219C3



WM219C4

CROSS SECTION & PARTS INFORMATION



WM219C4

ITEM	DESCRIPTION	WM219C1	WM219C3	WM219C4	QTY
1	Bracket body	101791	101791	101791	1
2	Lever	118363	118363	118363	1
3	Groove pin	118057	118057	118057	1
4	Spring	101526	101526	101526	1
5	Stem guide	118806	118806	118806	1
6	O-ring	116303	116303	116303	1
7	Snap ring	117927	117927	117927	1
8	O-ring	116296	116296	116296	1
9	Body	101519	101519	101519	1
10	Spring	101467	101467	101467	1
11	Inlet body	103743	103743	101470	1
12	Inlet poppet	119141	119141	119141	1
13	Screw	119573	119573	119573	3
14	Screen	116455	116455	116455	1
15	Screen	101410	101410	101410	1
16	Cap	104765	104765	104765	1

These valves are non-repairable items.

ORDERING INFORMATION

To order, specify **WM219** _____ (suffix) _____ (part number). Select suffix and part number below.

Suffix	Part Number	Inlet Port Location (see drawing above)
WM219 C1	111814	Inlet "C1"
WM219 C3	111816	Inlet "C3"
WM219 C4	111817	Inlet "C4"

An escutcheon plate (part number 103642), is not supplied with valve, but may be ordered separately.