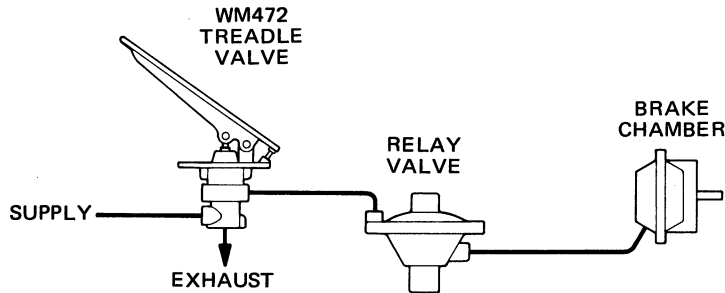
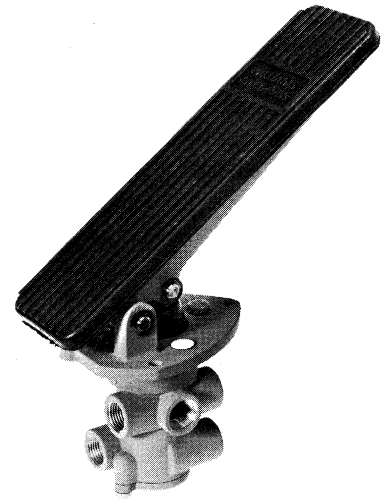
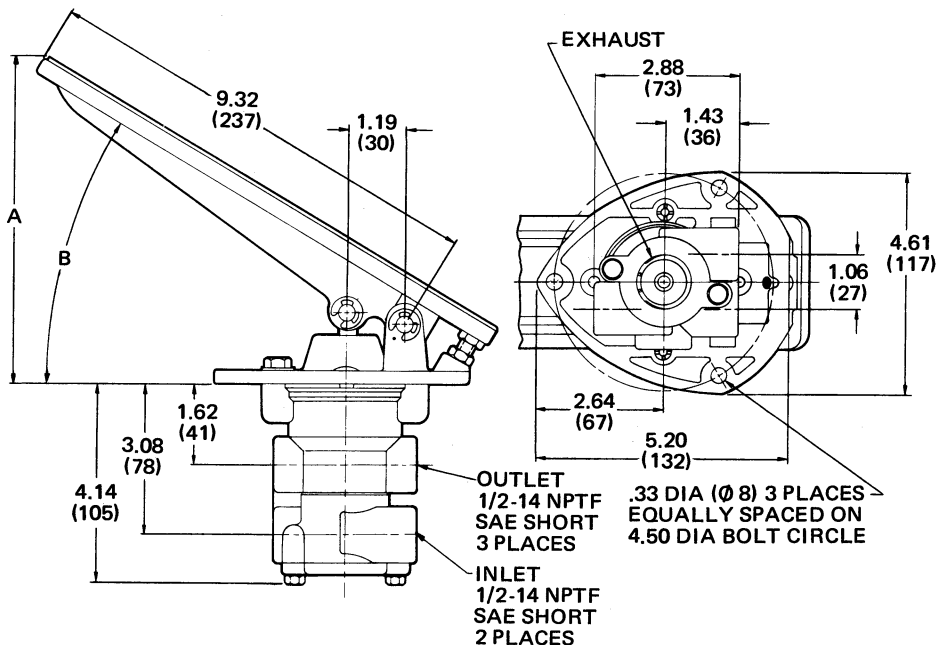
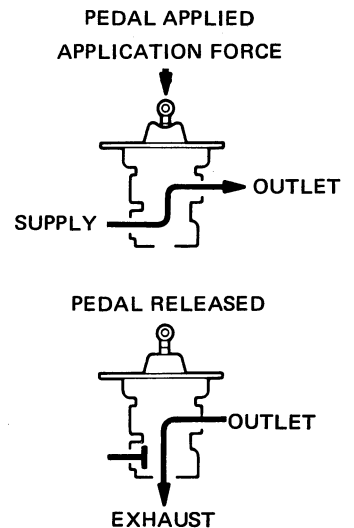
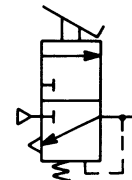


PRODUCT DESCRIPTION

DESCRIPTION Commonly used in pneumatic braking systems, the WM472 series treadle valves are three-way, compensating pressure regulators. Each unit consists of a valve subassembly that responds to movement of the pedal. The WM472 models are designed with various treadle-to-mounting surface angles. The WM472E model is a valve subassembly without the mounting bracket or pedal.

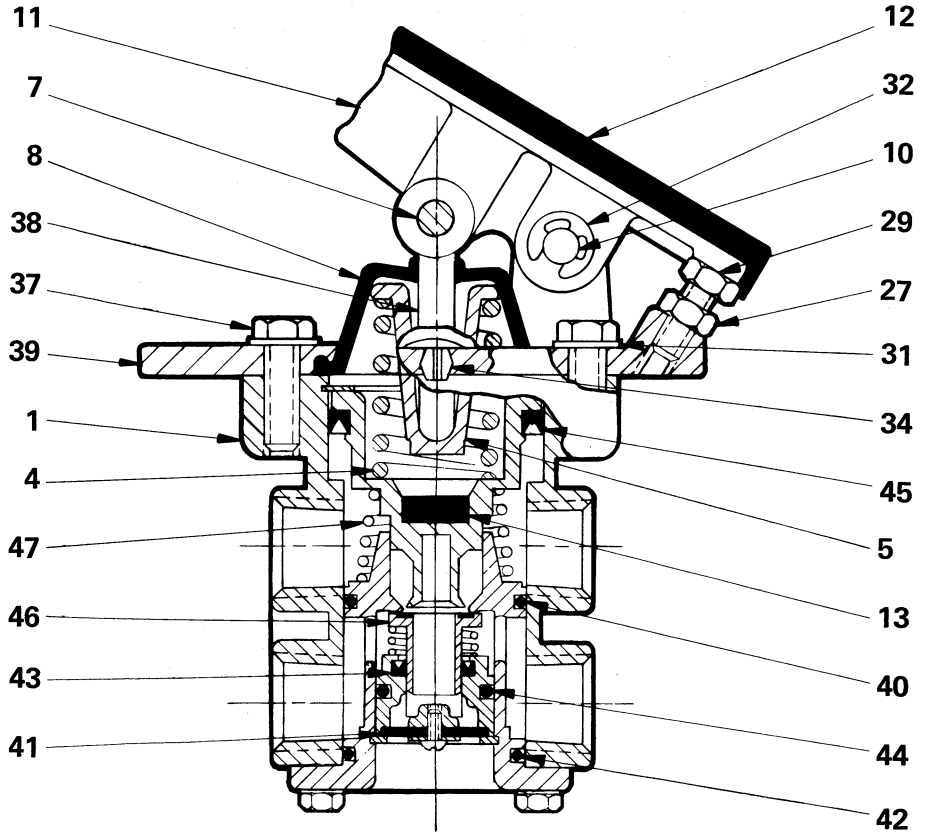
OPERATION As the operator depresses the pedal, the exhaust port closes and the supply port opens to allow delivery. The valve subassembly modulates the output in relation to the position of the pedal. When the pedal is released, the outlet pressure is discharged through an exhaust port located in the valve bottom.

APPLICATION The WM472 series valves are used in industrial and vehicular applications where a three-way, compensating treadle valve is required. These treadle valves are primarily installed in relay-type brake systems. Mounted through the floor of the operator's compartment, the valve subassembly can be rotated on 90° increments for plumbing convenience.

TYPICAL INSTALLATION

EXTERNAL CONFIGURATION

**TREADLE
VALVE**
FUNCTIONAL DIAGRAM

I.S.O. SYMBOL


PARTS IDENTIFICATION				
ITEM	DESCRIPTION	QTY.		
		A & C	D	E
1	VALVE SUBASSY.	1	1	1
4	BALANCE SPRING	1	1	1
5	SPRING CUP	1	1	1
7	PIN	1	1	
* 8	DUST BOOT	1	1	1
10	TREADLE PIN	1	1	
11	TREADLE	1	1	
12	TREADLE COVER	1	1	
* 13	SPRING CUP STOP	1	1	1
27	NUT	1		
29	SCREW	1	1	
31	LOCKWASHER	2	2	
32	RETAINING RING	4	4	
34	HOLE PLUG	2	2	
37	SCREW	2	2	2
38	PUSH ROD	1	1	1
39	MOUNTING PLATE	1	1	
* 40	O-RING	1	1	1
* 41	CHECK DISC	1	1	1
* 42	O-RING	1	1	1
* 43	U-CUP	1	1	1
* 44	O-RING	1	1	1
* 45	U-CUP	1	1	1
* 46	SEAT TUBE	1	1	1
47	SPRING	1	1	1

Service this unit with repair kit number 114417. Repair kit includes parts to service the valve subassembly. To replace only the valve subassembly, order part number 103541. To replace only the cartridge in the valve subassembly, order number 101979. To replace the treadle cover (Item 12), order part number 102376. *Asterisk designates parts included in repair kit 114417.



SPECIFICATIONS

- PORT SIZE 1/2-14 NPTF
- MAXIMUM OPERATING PRESSURE 150 PSI (1034,2 kPa)
- OPERATING TEMPERATURE* . . . -20°F to 200°F (-28,9°C to 93,3°C)
- FLOW RATING 160 SCFM @ 100 PSI (4,5 m³/min @ 690 kPa)
- COMPENSATING RANGE† 0-92/102 PSI (0-634,3/703,3 kPa)
- VALVE POSITION IN BRACKET . . . Rotatability on 90° Increments
- MOUNTING Integral Bracket Secured to Floor
- MOUNTING ATTITUDE Optional
- MATERIALS: Body Castings Die Cast Aluminum Alloy
- Treadle Die Cast Aluminum Alloy
- Treadle Cover Fiber-Reinforced Rubber
- Dust Boot & Spring Stop Cup . . . Chloroprene Rubber
- O-Ring & U-Cup Seals Buna N
- NET WEIGHT: WM472A,C,D 3 lbs. 11 oz. (1,7 kg)
- WM472E 1 lb. 13 oz. (0,8 kg)

*For continuous operation beyond this range, contact factory.

†If unit is to be frequently operated with output in excess of 60 PSI contact factory.

TO ORDER, SPECIFY

WM472 _____
 Model Number Suffix

PART NUMBER _____

SELECT SUFFIX & PART NUMBER BELOW

SUFFIX	PART NUMBER	HEIGHT A	ANGLE B
WM472 A	113218	7.5 in. (191 mm)	35°
WM472 C	113220	6.0 in. (152 mm)	22°
WM472 D	113222	8.5 in. (216 mm)	45°
WM472 E	113224	NO TREADLE	

