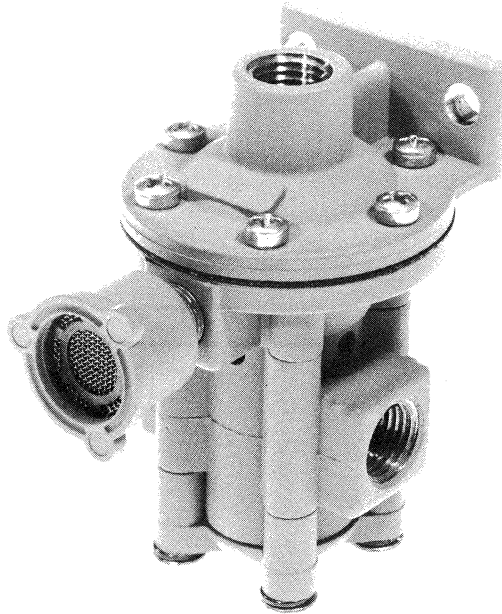
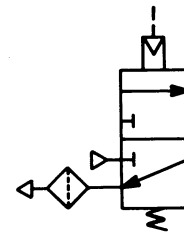


WM147L1 NORMALLY CLOSED RELAY VALVE

35-45 PSI
TO OPEN

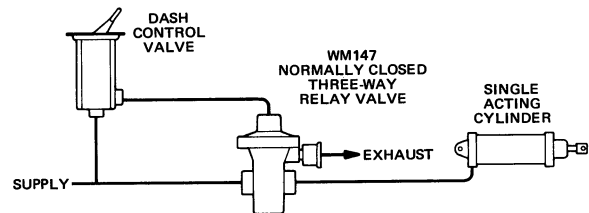


I.S.O. SYMBOL



DESCRIPTION

The WM147L1 is a normally closed 3-way non-compensating relay valve, equipped with a WM111B breather. Pilot control pressure is used to open the normally closed valve. When sufficient control pressure is applied (35-45 PSI, 241-310 kPa), an internal diaphragm expands and unseats the poppet. Air flows from the supply port to the outlet port. The valve will exhaust pressure, when the control pressure drops below the required level, at the outlet through the exhaust breather.



SPECIFICATIONS

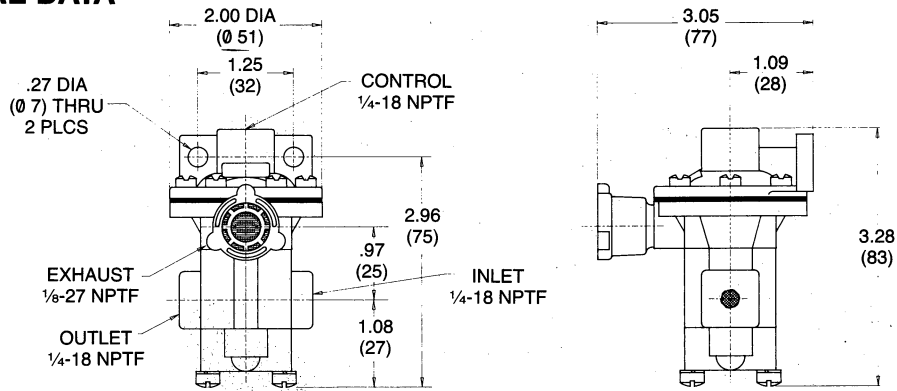
PORT SIZES: INLET, OUTLET & CONTROL	1/4-18 NPTF
EXHAUST	1/8-27 NPTF Equipped w/WM111B Breather
MAXIMUM OPERATING PRESSURE	150 PSI (1034 kPa)
OPERATING TEMPERATURE	-20° F to 200° F (-29° C to 93° C)
FLOW RATING	35 SCFM @ 100 PSI (1 m ³ /min @ 690 kPa)
MOUNTING	Integral Bracket on Cover and Two 1/4" Fasteners
MOUNTING ATTITUDE	Optional
MATERIALS: BODY	Die Cast Zinc Alloy
STEM	Aluminum
DIAPHRAGM	Fabric-Reinforced Buna N
POPPET	Buna N with Aluminum Backing
O-RINGS	Buna N
WEIGHT	13 oz. (0,4 kg)

119717

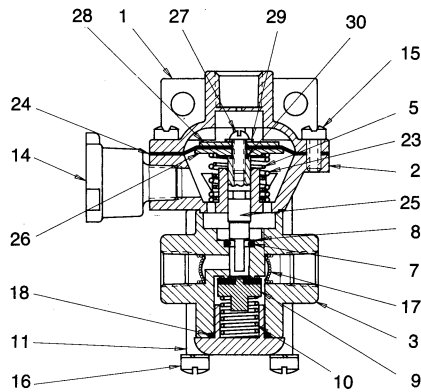
REL. 5/90

COPYRIGHT 1990 by WILLIAMS CONTROLS, INC.

DIMENSIONAL DATA



SECTIONAL VIEW



ITEM	DESCRIPTION	PART NUMBER	QTY.	ITEM	DESCRIPTION	PART NUMBER	QTY.
1	Inlet Body	103119	1	16	Screw	118770	4
2	Center Body	103242	1	17	Screen	116456	2
3	Lower Body	103121	1	*18	O-Ring	116380	1
5	Spring	130847	1	23	Spring	130848	1
*7	O-Ring	116299	1	*24	Diaphragm	101292	1
*8	Snap Ring	116189	1	*25	Stem	103361	1
*9	Poppet	103879	1	*26	Diaphragm Plate	104254	1
10	Spring	101021	1	*27	Screw	114723	1
11	End Cap	118132	1	*28	Washer	115048	1
14	WM111B Breather	111412	1	*29	Washer	115132	1
15	Screw	119223	6	*30	O-Ring	116442	1

Service these units with repair kit R147L1, part number 130972.

*Item is included in repair kit.

ORDERING INFORMATION

TO ORDER, SPECIFY **WM147L1**
PART NUMBER 130845

WILLIAMS CONTROLS, INC.

14100 SW 72ND AVENUE, PORTLAND, OREGON 97224

TEL: (503) 684-8600, TELECOPIER: (503) 684-8610