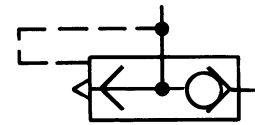


WM513A QUICK RELEASE VALVE

150 PSI
350 SCFM @ 100 PSI
(Outlets to Exhaust)

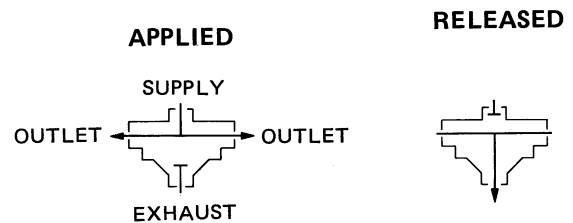


I.S.O. SYMBOL



DESCRIPTION

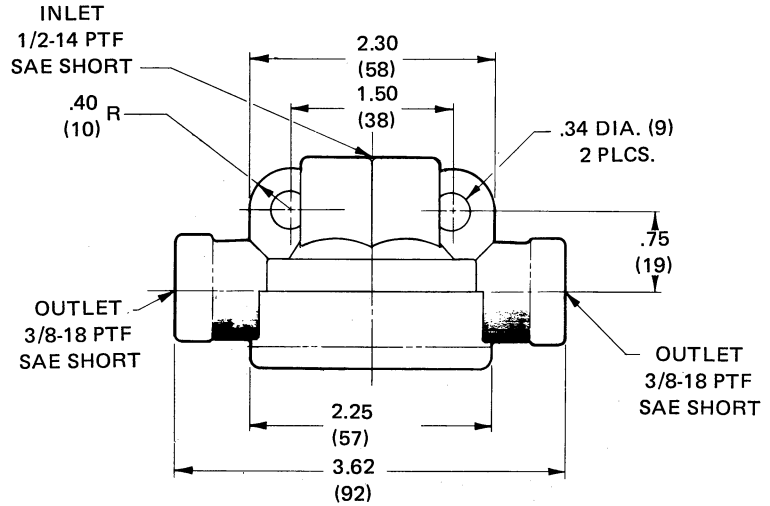
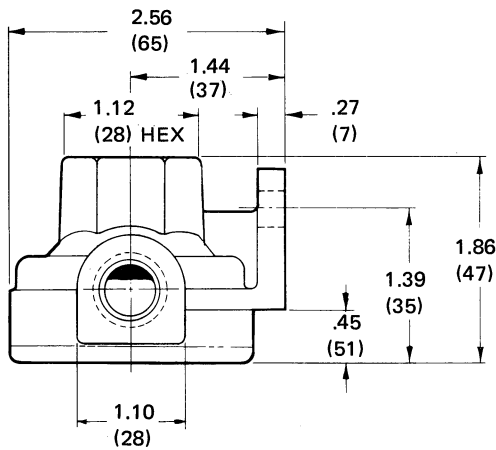
The WM513A quick release valve is used to reduce the time required to deactuate an air-operated device. It rapidly releases downstream pressure in response to decay in the valve's supply. The WM513A has two outlet ports so it can simultaneously exhaust two brake chambers or air bags. This low cost, high flow quick release valve can be used as a replacement for most competitive units.



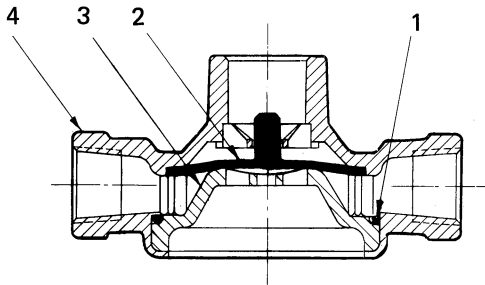
SPECIFICATIONS

PORT SIZE:	Inlet	1/2-14 NPTF SAE Short
	Outlets	3/8-18 NPTF
MAXIMUM OPERATING PRESSURE		150 PSI (1034,2 kPa)
OPERATING TEMPERATURE		-40°F to 200°F (-40°C to 93,3°C)
FLOW RATING: Inlet to Outlets	380 SCFM @ 100 PSI (11,4 m ³ /min @ 690 kPa)	
Outlets to Exhaust	350 SCFM @ 100 PSI (10,5 m ³ /min @ 690 kPa)	
CRACKING PRESSURE		Less than 1 PSI (6,9 kPa)
MOUNTING		Integral Bracket for 5/16" Fasteners
MOUNTING ATTITUDE		Exhaust Port Down Recommended
MATERIALS: Body		Die Cast Zinc Alloy
Cover		Die Cast Zinc Alloy
Diaphragm		Buna N
Seal		Buna N
WEIGHT		14 oz. (0,39 kg)

DIMENSIONAL DATA



SECTIONAL VIEW



ITEM	DESCRIPTION	PART NUMBER	QTY.
1	Seal	119135	1
2	Diaphragm	119323	1
3	Cover	119140	1
4	Valve Body	119138	1

The WM513A valve is not repairable

ORDERING INFORMATION

TO ORDER, SPECIFY **WM513A**

PART NUMBER 119136

WILLIAMS CONTROLS, INC.
14100 SW 72ND AVENUE, PORTLAND, OREGON 97224
TEL: (503) 684-8600, TELECOPIER: (503) 684-8610