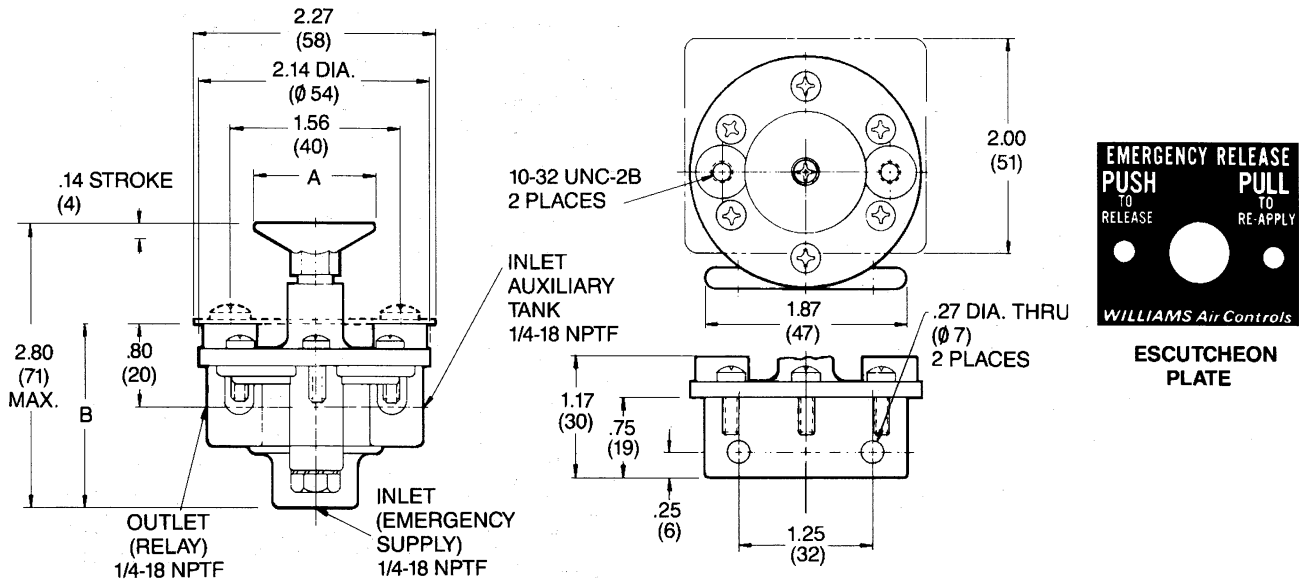
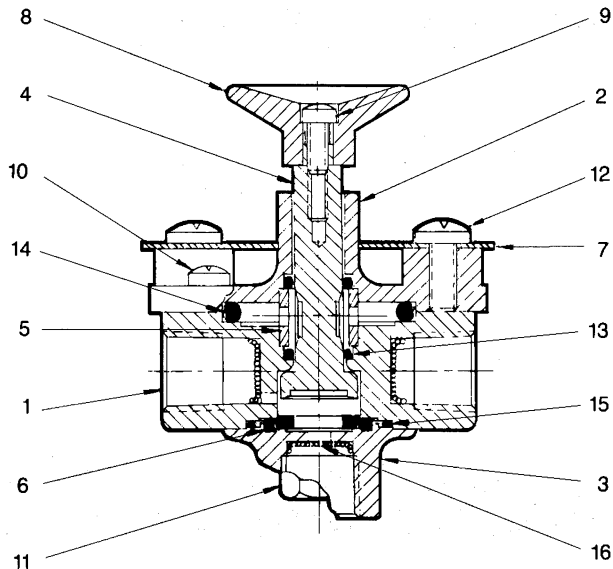


DIMENSIONAL DATA



CROSS SECTION



Item	Description	WM271A	Qty
1	Body	101905	1
2	Cover	103282	1
* 3	End Cap	101907	1
4	Stem	101908	1
5	Sleeve	101909	1
6	Poppet	101910	1
7	Escutcheon Plate	103540	1
8	Button	102769	1
9	Screw	114651	1
10	Screw	119223	6
11	Screw	118899	2
12	Screw	116892	2
* 13	O-Ring	116302	2
* 14	O-Ring	116323	1
* 15	O-Ring	116367	1
* 16	Screen	116456	3

*Item is included in repair kit. Service this unit with repair kit 114267. Highlighted items may be purchased separately.

ORDERING INFORMATION

To order, specify **WM271A**, part number 111913.