

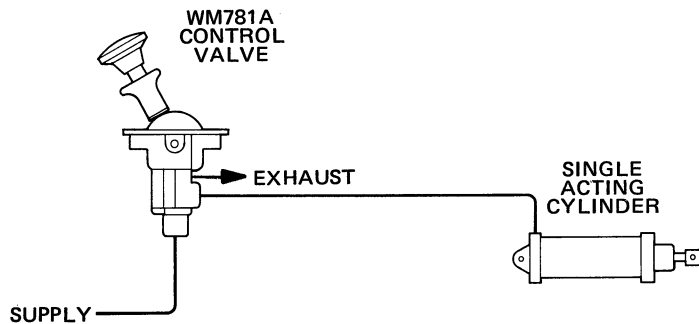
### PRODUCT DESCRIPTION

**DESCRIPTION** WM781 series valves are non-compensating, three-way control valves which are normally closed. These two position valves are available in two models which differ in control lever operation. WM781A1 models have detents in both control lever positions and WM781A models feature a spring-loaded lockout safety device which locks the control lever in the applied and released positions to prevent unintentional lever movement.

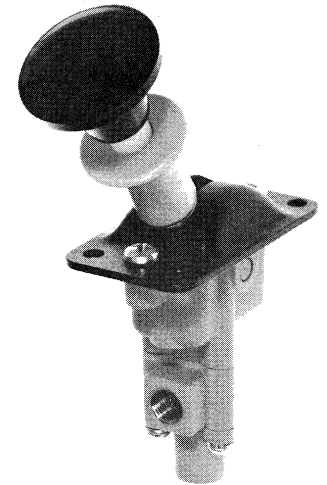
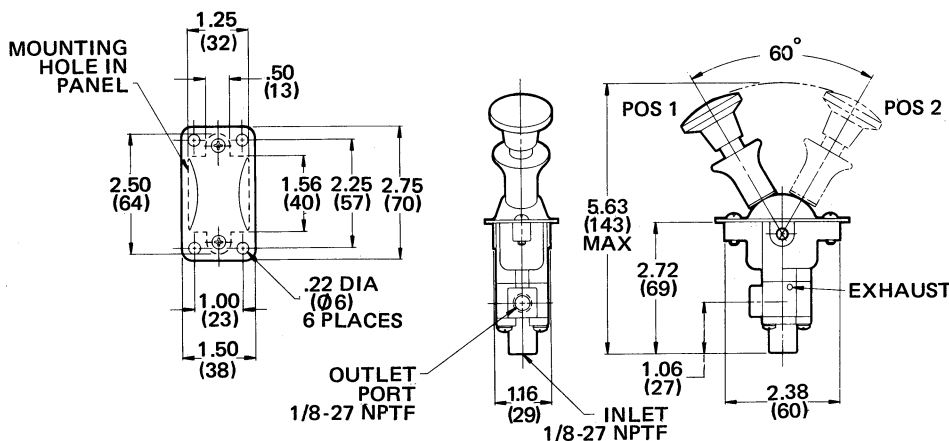
**OPERATION** To actuate a WM781 valve, the control lever must be moved approximately 60° from the normally closed position. This depresses the valve stem to close the exhaust port and unseat the inlet poppet, allowing supply pressure to flow to the outlet. When the control lever is returned to the normally closed position the poppet seats, closing off air flow from the supply port to the outlet and the exhaust port opens to release outlet pressure to atmosphere.

**APPLICATION** WM781A valves can be used to control any system which requires a two position, normally closed control valve. They are ideally suited to control the actuation of power take off systems which are engaged by an air pressure signal and spring disengaged.

### TYPICAL INSTALLATION



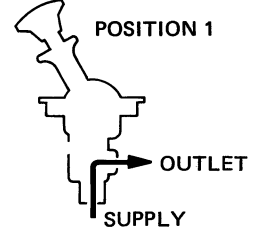
### EXTERNAL CONFIGURATION



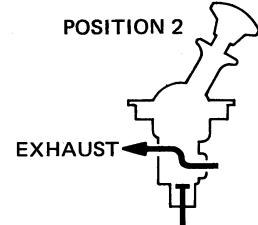
## TWO POSITION THREE-WAY CONTROL VALVE

### FUNCTIONAL DIAGRAM

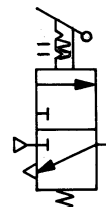
HANDLE APPLIED

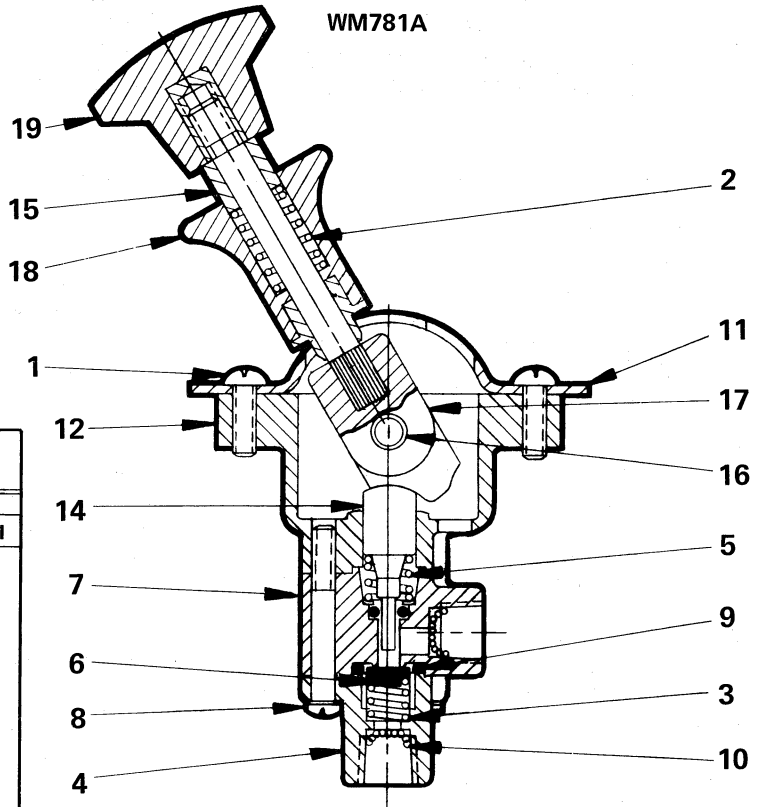
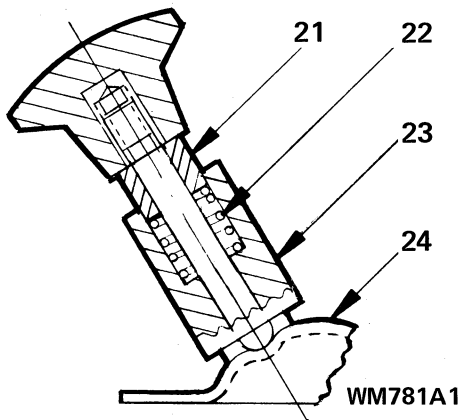


HANDLE RELEASED



### I. S. O. SYMBOL





PARTS IDENTIFICATION			
ITEM	DESCRIPTION	QTY	
		WM781A	WM781A1
1	SCREW (100110)	2	2
2	SPRING (101082)	1	
*3	SPRING	1	1
4	INLET BODY	1	1
*5	SPRING	1	1
*6	POPPET	1	1
*7	BODY ASSY.	1	1
8	SCREW	3	3
*9	O-RING	1	1
*10	SCREEN	1	1
11	VALVE COVER (118286)	1	
12	UPPER BODY	1	1
*14	VALVE STEM	1	1
15	HANDLE BUSHING (118295)	1	
16	LEVER PIN	1	1
17	CAM ASSY. (118489)	1	1
18	LATCH ASSY. (118303)	1	
19	KNOB (118305)	1	1
21	HANDLE BUSHING (118718)		1
22	SPRING (101685)		1
23	HANDLE DETENT (118719)		1
24	VALVE COVER (118714)		1
NA	1/8 MALE TO 1/4 FEMALE NPTF 90° ELBOW (FOR OUTLET)		1
NA	1/8 MALE TO 1/4 FEMALE NPTF ADAPTER (FOR INLET)		1

Service these units with repair kit number 118400. \*Asterisk designates parts included in repair kit.

**SPECIFICATIONS**

PORT SIZE . . . . . 1/8-27 NPTF  
 (WM781A1 supplied w/1/4-18 NPTF adapters)  
 MAXIMUM OPERATING PRESSURE. . . . . 150 PSI (1034, 2 kPa)  
 OPERATING TEMPERATURE\* . . -20°F to 200°F (-28, 9°C to 93, 3°C)  
 FLOW RATING. . . . . 15 SCFM @ 100 PSI (0,4 m<sup>3</sup>/min @ 690 kPa)  
 MOUNTING. . . . . Panel Mounted  
 MOUNTING ATTITUDE . . . . . Optional  
 MATERIALS: Body Castings . . . . . Die Cast Zinc Alloy  
 Actuating Cam . . . . . Die Cast Zinc Alloy  
 Poppet . . . . . Buna N  
 O-Rings. . . . . Buna N  
 Actuating Lever Shaft . . . . . Steel  
 Knob . . . . . Black Plastic  
 Safety Lockout (WM781A only) . . . . Yellow Plastic  
 NET WEIGHT: WM781A. . . . . 9 oz. (0, 2 kg)  
 WM781A1 . . . . . 11 oz. (0, 3 kg)

\*For continuous operation beyond this range, contact factory.

TO ORDER, SPECIFY				
<b>WM781A</b> _____				
		Model Number	Suffix	
PART NUMBER _____				
SELECT SUFFIX & PART NUMBER BELOW				
SUFFIX	PART NUMBER	LEVER FEATURES	1/8 to 1/4 NPTF FITTINGS	INTERCHANGES W/ WABCO P/N*
WM781 A	118315	SAFETY LOCKOUT	NO	2-HA-1L (P59332-0001) 2-HA-1LR (P59334-0001)
WM781 A1	118710	TWO DETENTS	YES	2-HA-1 (P59331) 2-HA-1R (P59331)

\*Interchange requires purchase of valve cover 118288 for WM781A and 118715 for WM781A1.