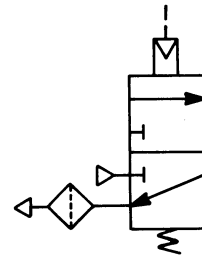


**WM147BC
NORMALLY CLOSED
HIGH PILOT PRESSURE
RELAY VALVE**

**35 SCFM
65-85 PSI TO OPEN**

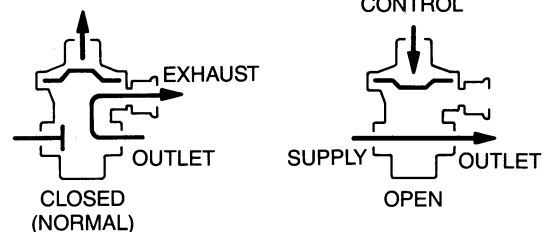


I.S.O. SYMBOL



DESCRIPTION

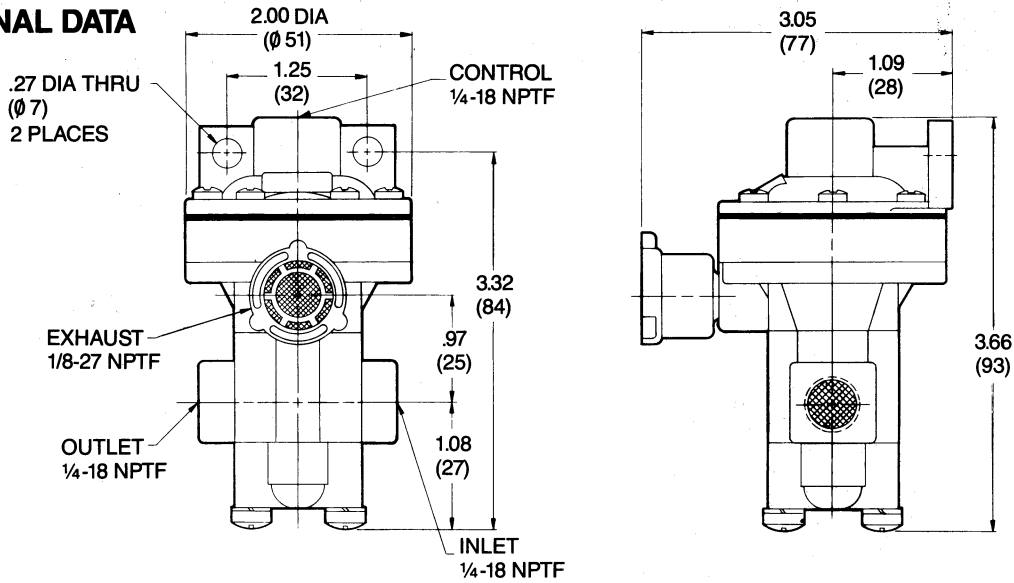
WM147BC is a normally closed, three-way directional relay valve. A pilot pressure of 65-85 PSI must be applied to the WM147BC's control port before the valve will open to allow supply pressure to flow to its outlet. The WM147BC will close and exhaust downstream pressure to atmosphere when pressure at its control port descends to 65-50 PSI.



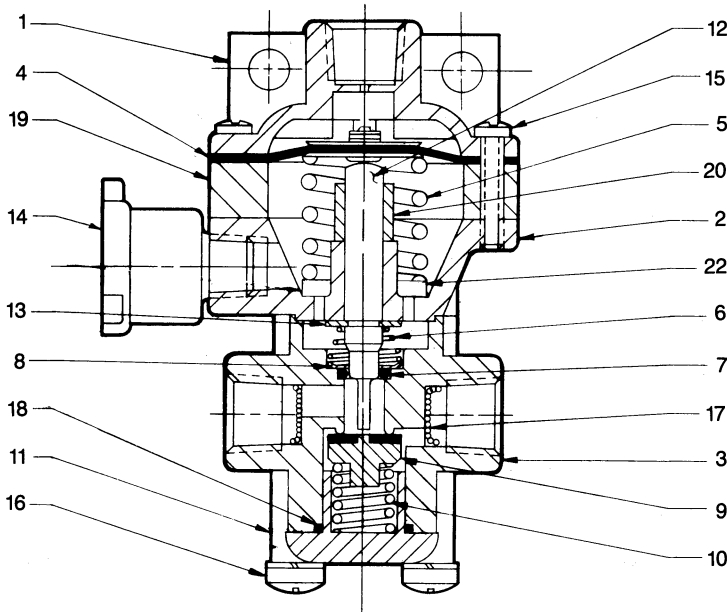
SPECIFICATIONS

PORT SIZES: Inlet, Outlet & Control	1/4-18 NPTF
Exhaust	1/8-27 NPTF
MAXIMUM SUPPLY PRESSURE	150 PSI (1034 kPa)
CONTROL PRESSURE (ASCENDING) TO OPEN	65-85 PSI (448-586 kPa)
CONTROL PRESSURE (DESCENDING) TO RECLOSE	65-50 PSI (448-345 kPa)
OPERATING TEMPERATURE	-20°F to 200°F (-29°C to 93°C)
FLOW RATING	35 SCFM @ 100 PSI (1,0 m ³ /min @ 690 kPa)
MOUNTING	Integral Bracket and Two 1/4" Fasteners
MOUNTING ATTITUDE	Optional
MATERIALS: Body Castings	Die Cast Zinc Alloy
Stem	Aluminum
Diaphragm	Fabric-Reinforced Buna N
Poppet	Buna N with Aluminum Backing
O-Rings	Buna N
WEIGHT	15 oz. (0,4 kg)

DIMENSIONAL DATA



SECTIONAL VIEW



ITEM	DESCRIPTION	PART NUMBER	QTY
1	Inlet Body	103119	1
2	Center Body	103242	1
3	Lower Body	103121	1
4	Diaphragm Assembly	119479	1
5	Spring	101631	1
6	Spring	101629	1
* 7	O-Ring	116299	1
* 8	Retaining Ring	116189	1
* 9	Poppet	103879	1
10	Spring	101021	1
11	End Cap	118132	1
12	Stem	101632	1
13	Retaining Ring	116183	1
14	WM111B	111412	1
15	Screw	119225	6
16	Screw	118770	4
17	Screen	116456	2
* 18	O-Ring	116380	1
19	Spacer	101633	1
20	Support Tube	101634	1
22	Washer	115093	1

Service these units with repair kit 119480.

*Item is included in repair kit.

ORDERING INFORMATION

TO ORDER, SPECIFY **WM147BC**

PART NUMBER 111526

WILLIAMS CONTROLS, INC.

14100 SW 72ND AVENUE, PORTLAND, OREGON 97224

TEL: (503) 684-8600, TELECOPIER: (503) 684-8610