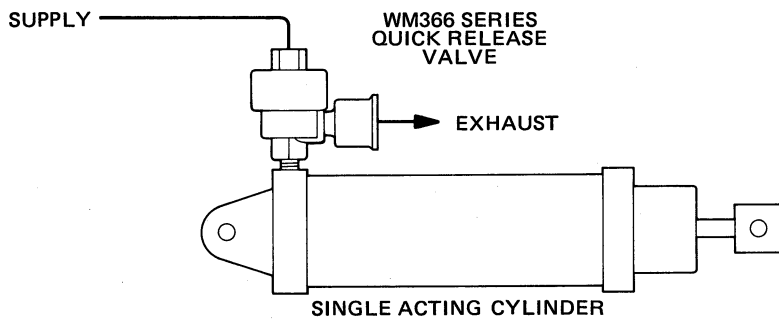
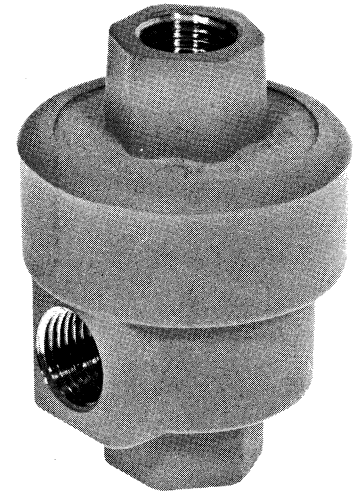
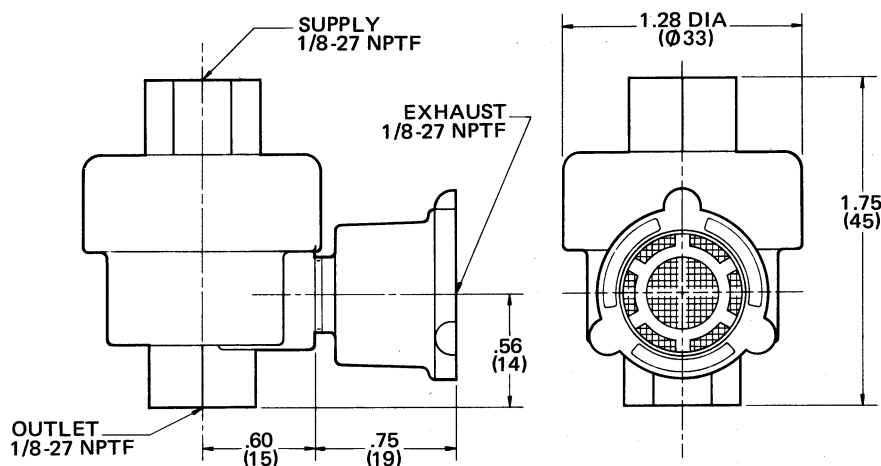
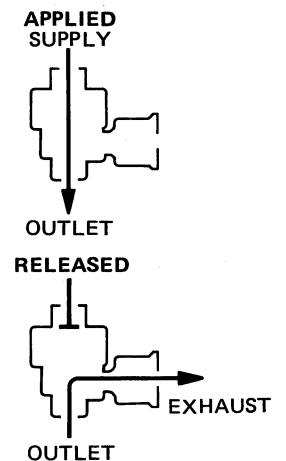
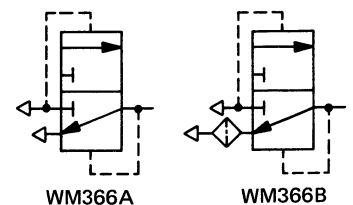


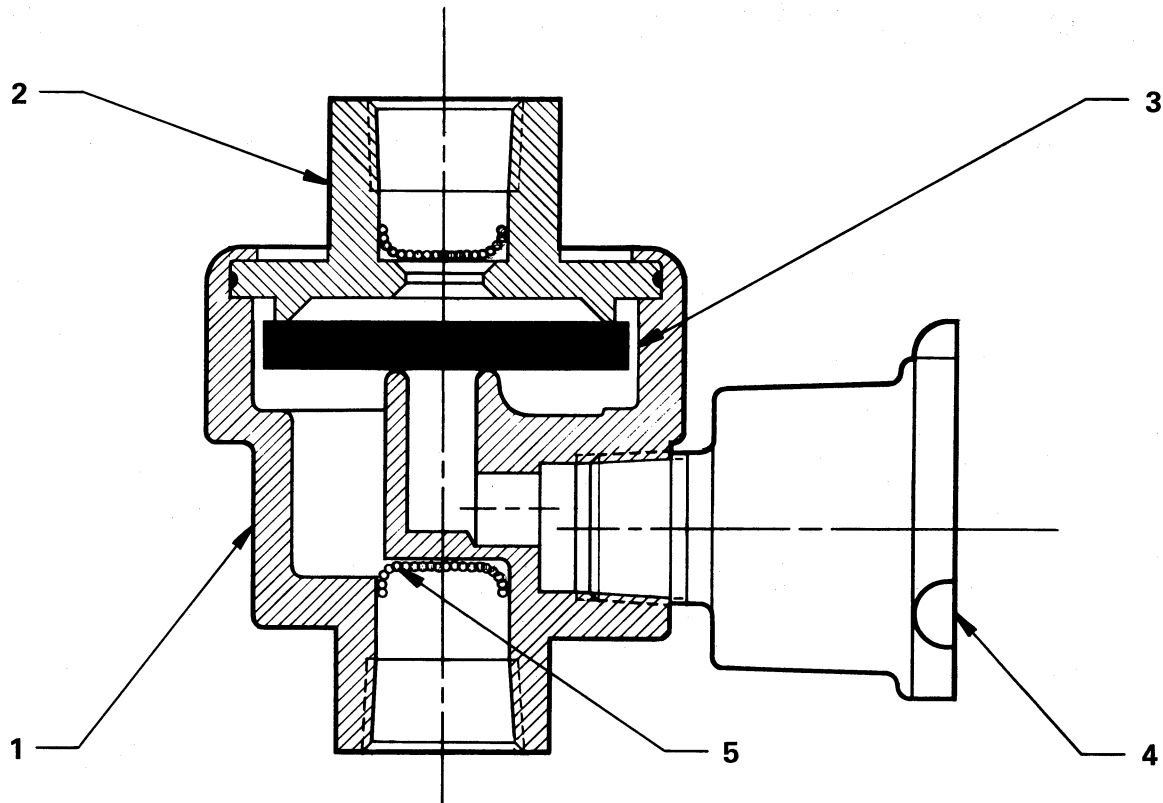
**PRODUCT DESCRIPTION**

**DESCRIPTION** The WM366 series quick release valves incorporate a durable poppet that acts like a diaphragm and flexes to control the direction of flow. These self-relieving three-way valves are available with or without a WM111B exhaust breather. The breather prevents dirt and particles from entering the valve; the supply and outlet ports are also equipped with screening for this purpose.

**OPERATION** As long as a supply signal is applied to the valve, it will deliver pressure at the outlet port. The flexible poppet seals the passage to the exhaust port and permits air flow to the outlet port at a rate of 75 SCFM (2,0 m<sup>3</sup>/min) with a 100 PSI (689,5 kPa) supply. If the supply signal decreases, then the poppet flexes and outlet pressure is released through the exhaust.

**APPLICATION** The WM366 series valves are typically used to exhaust pressure from single or double-acting cylinders in a variety of quick release applications. In these applications, pressure is quickly transmitted from the control device to the cylinders because of the high flow rate. The WM366 series quick release valves are not recommended for safety-related applications.

**TYPICAL INSTALLATION**

**EXTERNAL CONFIGURATION**

**QUICK  
RELEASE  
VALVE**
**FUNCTIONAL DIAGRAM**

**I.S.O. SYMBOL**




PARTS IDENTIFICATION			
ITEM	DESCRIPTION	QUANTITY	
		A	B
1	BODY	1	1
2	CAP	1	1
3	POPPET	1	1
4	WM111B BREATHER (111412)		1
5	SCREEN	2	2

This component is classified as a non-repairable item. Replaceable items are followed by part numbers.

**SPECIFICATIONS**

PORT SIZE . . . . . 1/8-27 NPTF  
 MAXIMUM OPERATING PRESSURE . . . . . 150 PSI (1034,2 kPa)  
 OPERATING TEMPERATURE\* . . -20°F to 200°F (-28,9°F to 93,3°C)  
 FLOW RATING:  
     Supply-to-Outlet . . 75 SCFM @ 100 PSI (2,0 m<sup>3</sup>/min @ 690 kPa)  
     Outlet-to-Exhaust . . 55 SCFM @ 100 PSI (1,6 m<sup>3</sup>/min @ 690 kPa)  
 MOUNTING . . . . . Designed for Pipe Mounting Using Inlet & Outlet Ports  
 MOUNTING ATTITUDE . . . . . Optional  
 MATERIALS: Body Castings . . . . . Die Cast Zinc Alloy  
               Poppet . . . . . Buna N  
 NET WEIGHT . . . . . 2.5 oz. (0,1 kg)  
 \*For continuous operation beyond this range, contact factory.

**TO ORDER, SPECIFY**

**WM366** \_\_\_\_\_

Model Number            Suffix

**PART NUMBER** \_\_\_\_\_

**SELECT SUFFIX & PART NUMBER BELOW**

SUFFIX	PART NUMBER	EQUIPPED WITH WM111B BREATHER
WM366 A	112534	No
WM366 B	112536	Yes