

# Arens Controls Hydrostatic Pump & Motor Controls T50 & T60 Series

The T50 & T60 series controls are designed for mechanical control of variable displacement pumps and motors. The T50 is a single lever design. The T60 provides a second lever to hold the throttle or governor setting, since constant engine conditions are desirable while operating most hydrostatic drives.

The heart of the control is the Curtiss-Wright Self Locking Unit or Friction Quadrant. The Locking feature allows the vehicle operator to position the input lever to a desired setting and be able to take their hand off the lever for other duties, confident that the Control will not 'creep'. In addition, the levers allow for infinite positioning and are easily adjusted by the operator.

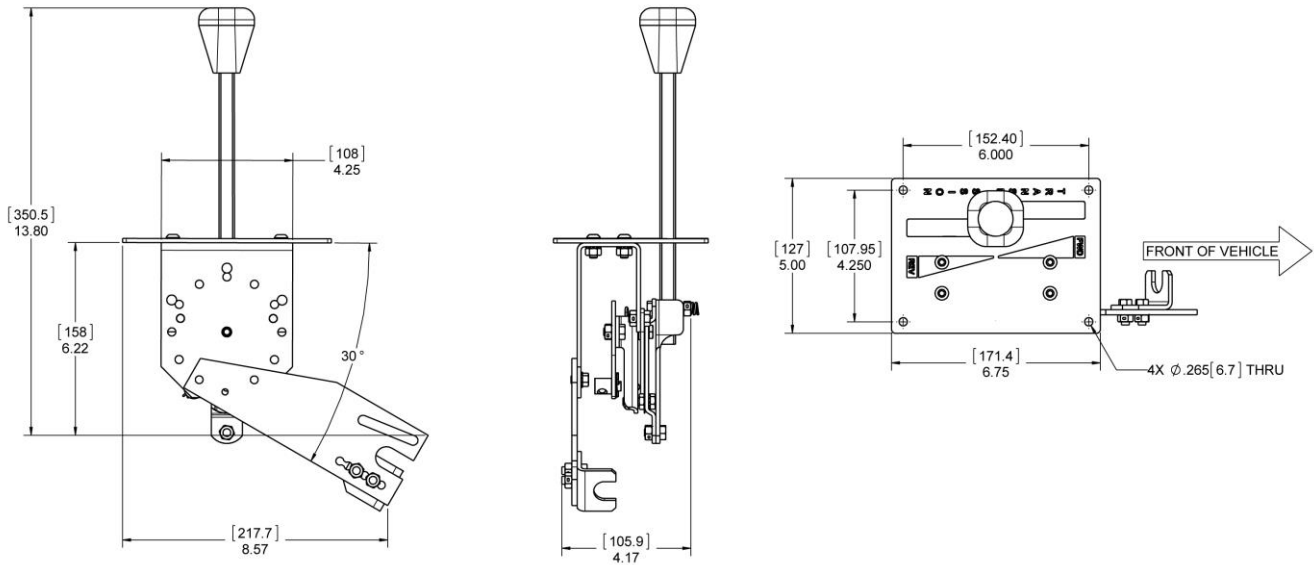
The Linear Control reproduces the motion of the input lever and is used for most applications where most of the control action takes place at the mid- to full-range. The Non-Linear Control produces a progressive output motion relative to the input. The sensitivity of the input lever is greatly amplified on either side of center. This type of control is commonly used when the critical vehicle operations take place just outside of the 'neutral' position.



## SPECIFICATIONS

HYDROSTATIC CONTROL	'I' or 'Z' Pattern	Actuates one valve
INPUT MOTION	Transmission (F-N-R) Throttle	±36° 0 to 72°
OUTPUT STROKE	Transmission (F-N-R), Linear Transmission (F-N-R), Non-Linear Throttle	±1.25 inch (±32 mm) ±1.10 inch (±28 mm) 0 to 2.5 inches (±63 mm)
STANDARD CONNECTIONS	Push-Pull Cable Push-Pull Cable	¼-28 5/16-24
LOAD	Working Load	100 lbs (445N) for ¼ -28 Cable 200 lbs (890N) for 5/16-24 Cable
MATERIALS	Body Lever Top Boot	Steel Steel Molded
CONTROL HANDLE	Ball Knob Control Grip Joystick	Standard Optional Optional

**MECHANICAL DIMENSIONS – for T50 (mm)**



**MECHANICAL DIMENSIONS – for T60 (mm)**

