

# Williams Controls Electronic Suspended Pedal

## WM-546

The WM-546 Electronic Suspended Pedal is designed for all commercial vehicle applications, where compact design and a cost-effective solution are essential.

The all-plastic housing has a three-hole bolt pattern for mounting to the vehicle firewall and the foot pad is molded as an integral part of the pedal lever arm.

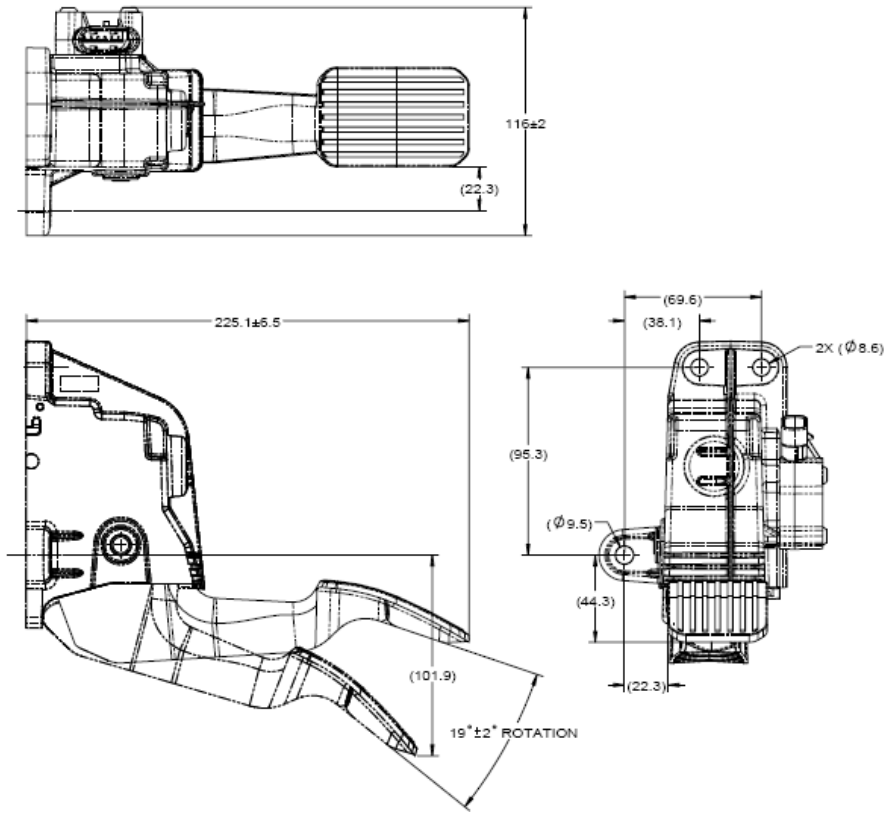
The unit is equipped with a Hall-effect, non-contact sensor that can be programmed for analog output and/or integrated switches. The electronics are IP67 sealed and highly EMI resistant (SAE J1113). In addition, the unit can be offered with contact or PWM output sensors.



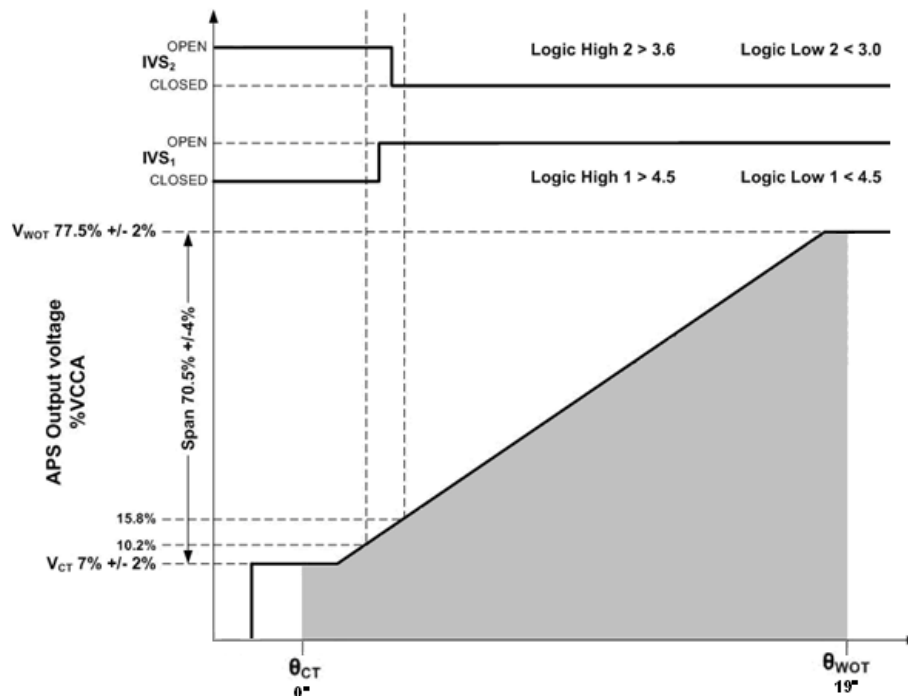
### SPECIFICATIONS

<b>PRODUCT LIFE</b>	Full Travel Cycles	4,000,000
<b>ELECTRONICS</b>	Seal Integrity EMI	Electronics IP67 sealed (IEC 60529) SAE J1113 Compliant
<b>ELECTRICAL</b>	Output Signal	Dual APS, APS/IVS, APS/IVS/IVS, Dual PWM
<b>PEDAL ANGLE</b>	Degrees Operating force	19 ± 2° Angular Rotation Neutral = 25N, Full Travel = 37N
<b>MECHANICAL</b>	Static Load Vibration	1500N 3 hour, 3-axis, random broadband up to 4g
<b>ENVIRONMENTAL</b>	Operating Temp Range Storage Temp Range Humidity Sand/Dust	-40°C to 85°C -40°C to 85°C 95% RH for 120 hours, 27°C to 75°C Tested to SAE J1455
<b>MATERIALS</b>	Foot treadle Body castings	Glass Filled Nylon 66 Glass Filled Nylon 66

## MECHANICAL DIMENSIONS (mm)



## TYPICAL OUTPUT CHARACTERISTICS (Other outputs are available)



© 2014 Curtiss-Wright. All rights reserved. Specifications are subject to change without notice. All trademarks are property of their respective owners.

WM546-07/15

**CURTISS-  
WRIGHT**

**USA**  
Portland  
Oregon  
T: +1.509.684.8600  
F: +1.503.684.3879  
info@wmco.com  
www.cw-industrial.com

**Europe**  
Christchurch  
United Kingdom  
T: +44.1425.271444  
F: +44.1425.272655  
sales@pgdt.com  
www.cw-industrial.com

**Asia**  
Shanghai  
China  
T: +86.213.3310670  
sales@pennyandgiles.com.cn  
www.cw-industrial.com