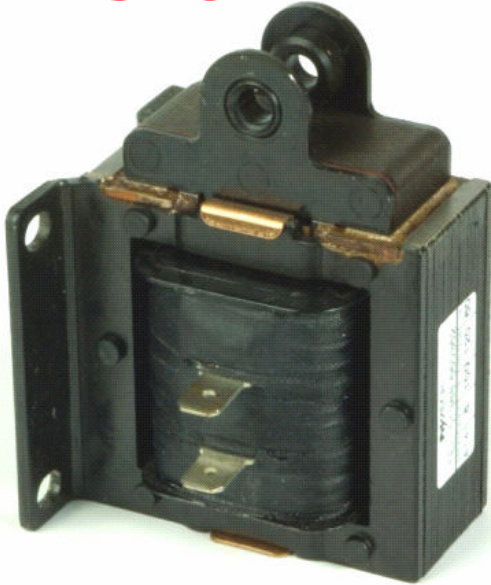


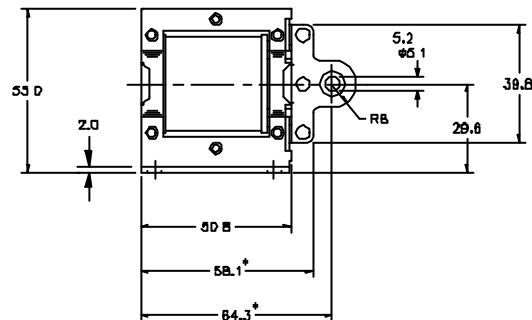
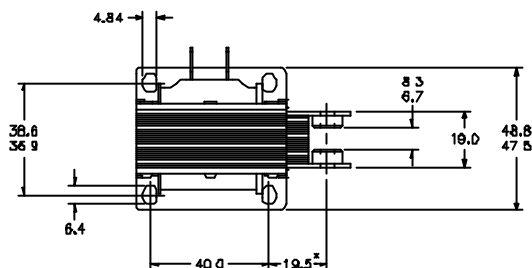
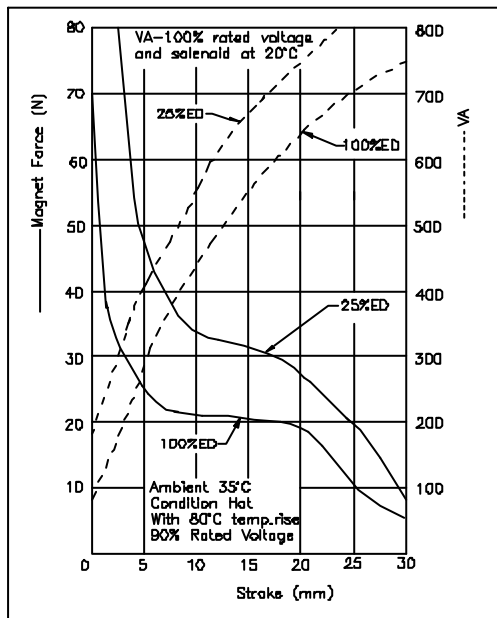
# AC Laminated Solenoid (Model A141)

ML2351

# OBSOLETE PRODUCT



- Rugged Design for long Life
- Flying Leads or Tags
- Optional Voltage Ratings
- Copper Guides
- Copper Shading Rings
- Varnish Impregnated Coil
- Fast Response Time



\* DIMENSIONS WITH SOLENOID ENERGISED  
TOLERANCES (UNLESS STATED)  $\pm 0.4$ mm