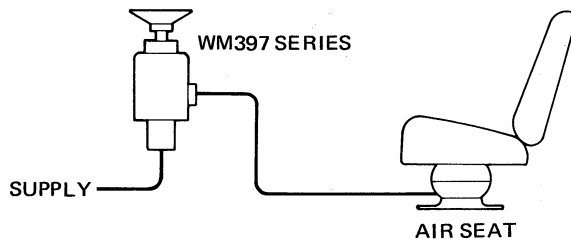
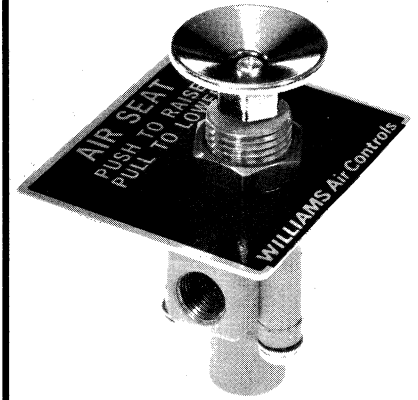
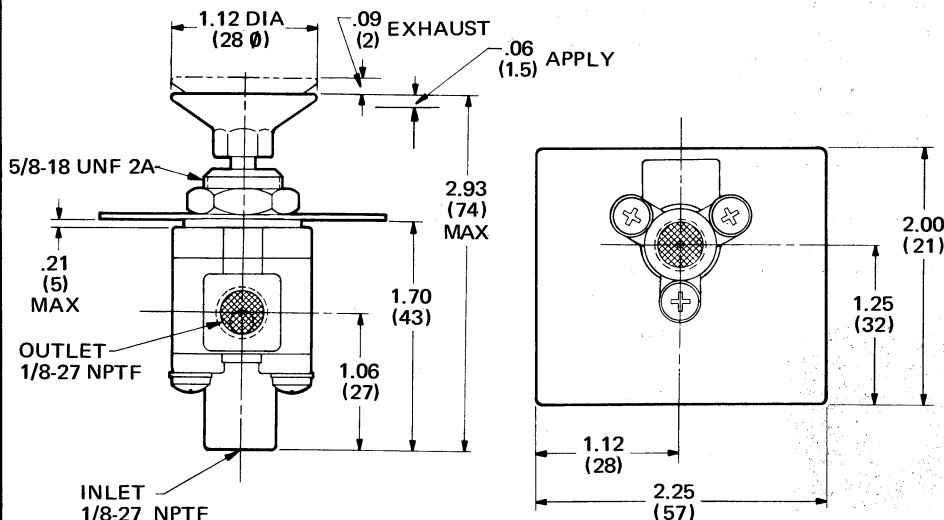
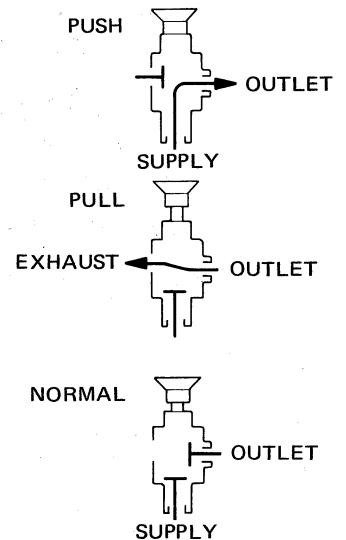
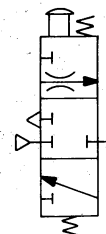


PRODUCT DESCRIPTION

DESCRIPTION These WM397 series control valves are manually operated, three-way pneumatic valves that are actuated by a push button. Designed for control panel or console mounting, these valves have three operating positions—APPLY, EXHAUST, and HOLD.

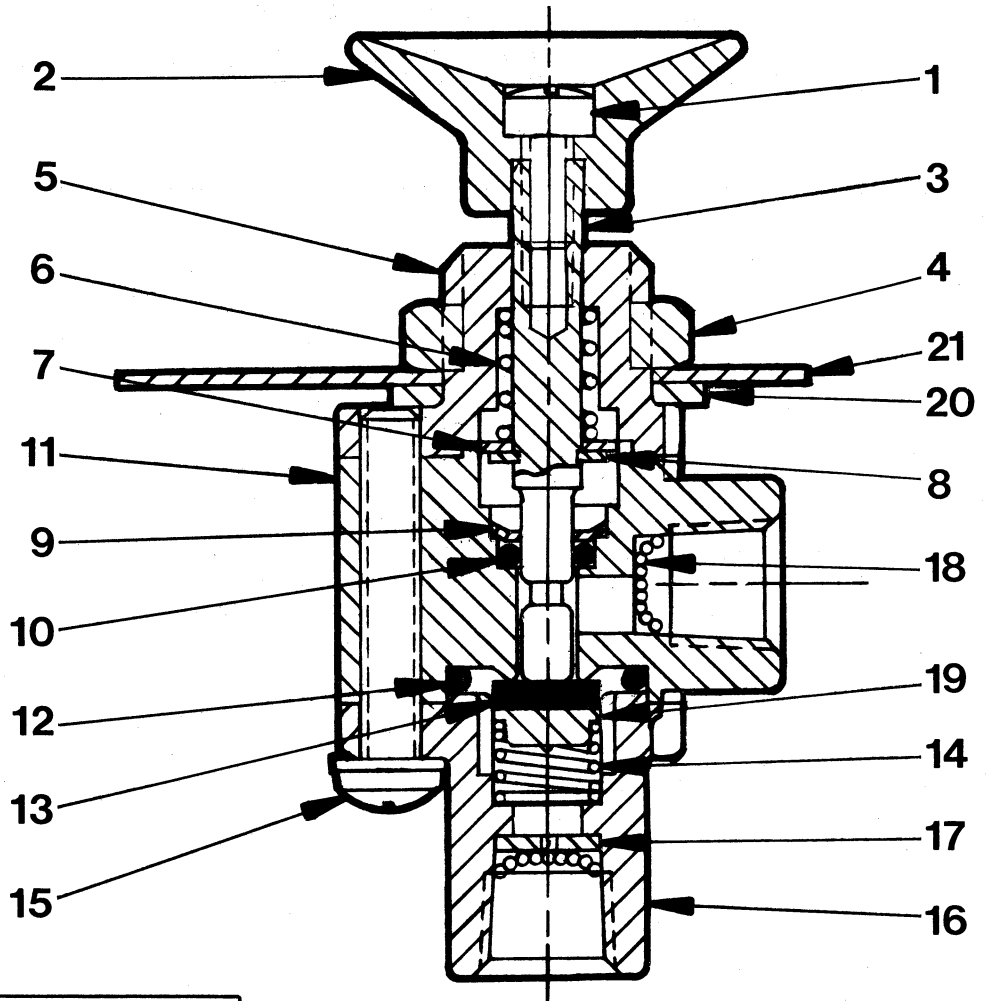
OPERATION When the control valve is in its normal, holding position, all the valve ports are closed and the pressure at the outlet port is held. The valve will trap a minimum pressure of 35 PSI (241,3 kPa) at the outlet port. When the push button is depressed, a path opens from the supply port to the outlet port. Pulling the button out to the EXHAUST position allows pressure at the outlet port to escape through the exhaust port. When the button is released from either the APPLY or EXHAUST position, a spring returns the valve to the normal, holding position.

APPLICATION The WM397 control valves are engineered for industrial or vehicular applications that require a manually controlled air pressure to be held in a closed system. A common application is the air seat system shown below. In this application, the operator depresses the button until the desired seat height is achieved. The valve's holding function maintains this seat position until the button is pulled and pressure is released.

TYPICAL INSTALLATION

EXTERNAL CONFIGURATION

**THREE-WAY
HOLDING
VALVE**
FUNCTIONAL DIAGRAM

I.S.O. SYMBOL


PARTS IDENTIFICATION		
ITEM	DESCRIPTION	QTY.
1	SCREW	1
2	BUTTON	1
3	STEM	1
4	NUT	1
5	MOUNTING BODY	1
6	SPRING	1
7	WASHER	1
8	RETAINING RING	1
9	RETAINING RING	1
10	O-RING	1
11	BODY	1
12	O-RING	1
13	POPPET	1
14	SPRING	1
15	SCREW	3
16	INLET BODY	1
17	RESTRICTOR	1
18	SCREEN	2
19	SPRING CAP	1
20	LOCKWASHER	1
21	ESCUTCH. PLATE	1

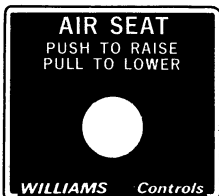
This component is classified as a non-repairable item.



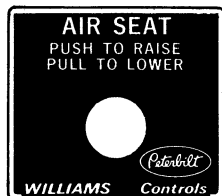
TO ORDER, SPECIFY			
WM397 _____			
Model Number		Suffix	
PART NUMBER _____			
SELECT SUFFIX & PART NUMBER BELOW			
SUFFIX	PART NUMBER	RESTRICTOR	ESCUTCHEON PLATE
WM397 D	112782	YES	STYLE B
WM397 E	112783	YES	NONE
WM397 F	112784	YES	STYLE A
WM397 J	100708	YES	NONE
WM397 L	110408	NO	NONE

SPECIFICATIONS

PORT SIZE 1/8-27 NPTF
 MAXIMUM OPERATING PRESSURE. 150 PSI (1034,2 kPa)
 OPERATING TEMPERATURE* . . . -20°F to 200°F (-28,9° to 93,3°C)
 FLOW RATING: Supply (With Restrictor).
 . . . 0.9 SCFM @ 100 PSI (0,03 m³/min @ 690 kPa)
 Supply (Without Restrictor).
 . . . 12 SCFM @ 100 PSI (0,3 m³/min @ 690 kPa)
 Exhaust
 . . . 3.8 SCFM @ 100 PSI (0,1 m³/min @ 690 kPa)
 MOUNTING. On Control Panel or Console
 MOUNTING ATTITUDE Optional
 MATERIALS: Body Castings Zinc Alloy
 Poppet & O-Rings. Buna N
 NET WEIGHT.6 oz. (0,2 kg)
 *For continuous operation beyond this range, contact factory.



STYLE A
(PART # 103939)



STYLE B
(PART # 103942)