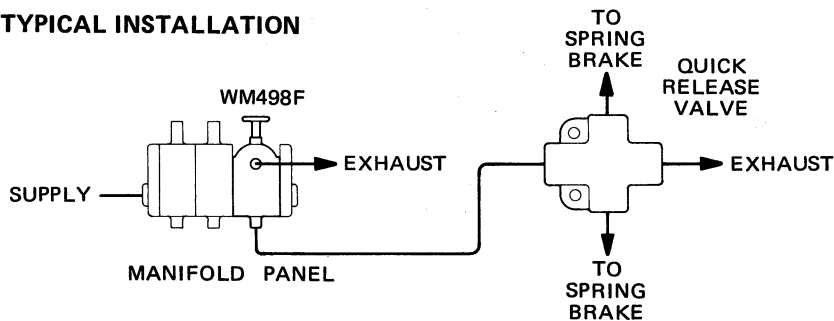
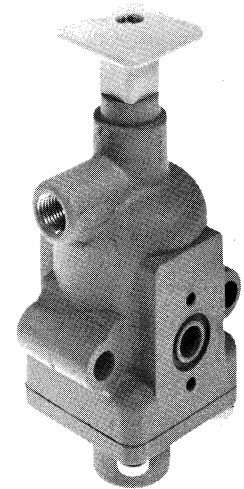
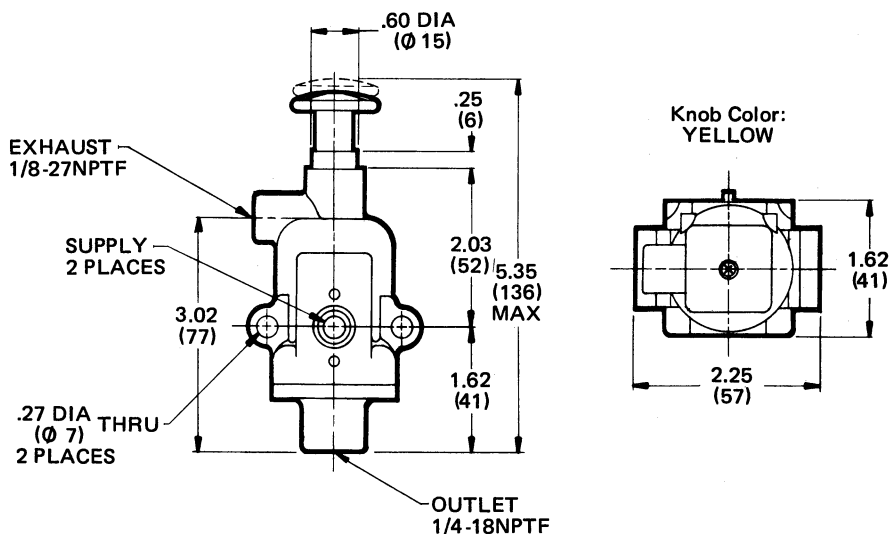
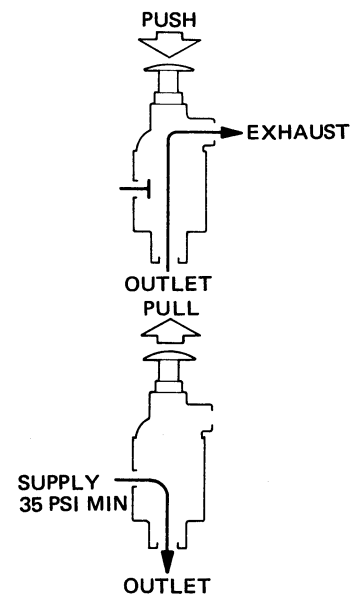
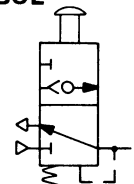


**PRODUCT DESCRIPTION**

**DESCRIPTION** The WM498F is a component of the WM498 series manifold panel assemblies. The WM498F is a gang-mounted, three-way valve with pull-to-open, push-to close action. When the supply pressure exceeds a nominal 35 PSI (241,3 kPa), the valve may be manually opened or closed; if the supply pressure drops below 25-35 PSI (172,4-241,3 kPa), the valve will automatically close. As long as the valve is open, an internal check valve maintains the outlet pressure at peak supply.

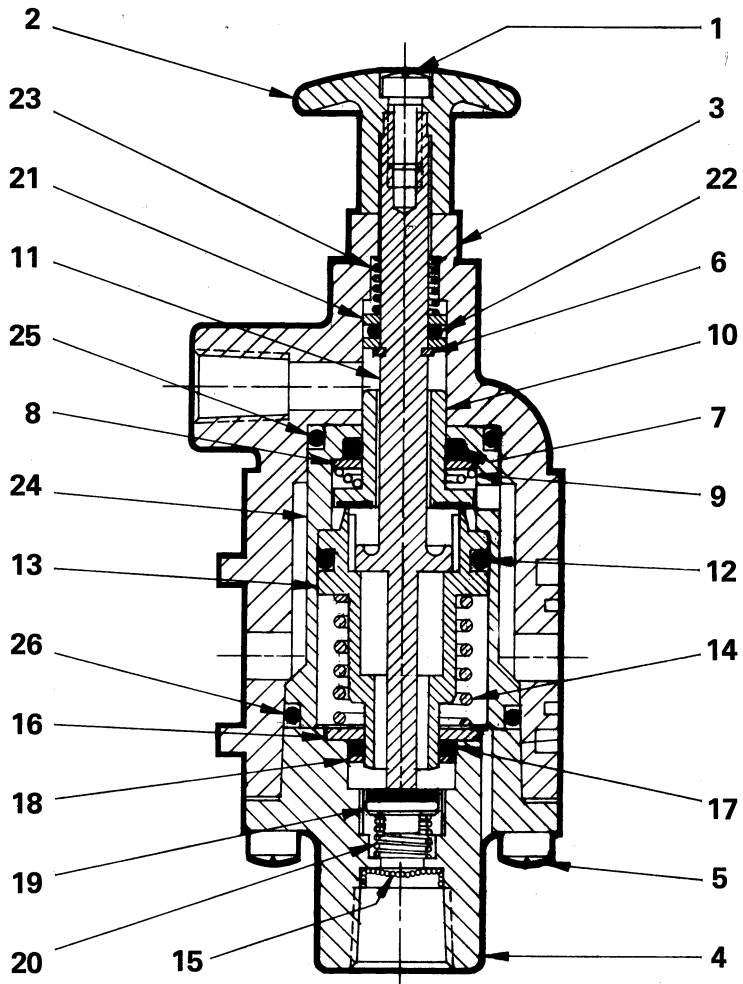
**OPERATION** The WM498F is a spring-returned, normally closed valve that requires a minimum supply pressure of 35 PSI (241,3 kPa) before the valve can be manually opened. When adequate pressure is present and the valve knob is pulled, air flows from the supply port through the check valve to the outlet port. The built-in check valve allows the highest system pressure to be delivered. This prevents the brake chamber from being affected by supply pressure fluctuations, and thereby eliminates brake "drag". When the supply pressure decays below a nominal 25 PSI (172,4 kPa), the valve will close even if the knob is held in the open position. When the valve is closed, the flow of air is blocked by the piston seated on the exhaust tube. Any pressure at the outlet port is released through the exhaust port when the knob is pushed in.

**APPLICATION** As a part of a WM498 manifold panel, the WM498F can be used in most industrial or vehicular pneumatic brake systems. The WM498F is used primarily to control the application of spring brakes in heavy duty vehicles. This valve must not be used in FMVSS-121 applications.

**TYPICAL INSTALLATION**

**EXTERNAL CONFIGURATION**

**PRESSURE  
HOLDING  
VALVE**
**FUNCTIONAL DIAGRAM**

**I.S.O. SYMBOL**


PARTS IDENTIFICATION		
ITEM	DESCRIPTION	QTY.
1	SCREW	1
2	KNOB	1
3	MAIN BODY	1
4	OUTLET BODY	1
5	SCREW	4
6	RETAINING RING	1
* 7	O-RING	1
8	WASHER	1
9	SPRING	1
10	EXHAUST SEAT TUBE	1
11	STEM	1
* 12	O-RING	1
13	PISTON	1
14	SPRING	1
15	SCREEN	1
16	WASHER	1
* 17	O-RING	1
18	WASHER	1
* 19	POPPET	1
20	SPRING	1
21	WASHER	2
* 22	O-RING	1
23	SPRING	1
24	BYPASS INSERT	1
* 25	O-RING	1
* 26	O-RING	1

Service this unit with repair kit number 114375.  
\*Asterisk designates parts included in repair kit.



**SPECIFICATIONS**

PORT SIZES: Outlet . . . . . 1/4-18 NPTF  
 Exhaust . . . . . 1/8-27 NPTF  
 MAXIMUM OPERATING PRESSURE. . . . . 150 PSI (1034,2 kPa)  
 OPERATING TEMPERATURE\* . . . . -20°F to 200°F (-28,9°C to 93,3°C)  
 FLOW RATING:  
 Supply-to-Outlet . . . 20SCFM @ 100 PSI (0,6 m<sup>3</sup>/min @ 690 kPa)  
 Outlet-to-Exhaust. . . 25SCFM @ 100 PSI (0,7 m<sup>3</sup>/min @ 690 kPa)  
 MOUNTING. . . . . As Part of Control Panel Assembly  
 MOUNTING ATTITUDE . . . . . Optional  
 MATERIALS: Body Castings . . . . . Die Cast Aluminum Alloy  
 O-Rings and Seals. . . . . Buna N  
 NET WEIGHT. . . . . 12 oz. (0,3 kg)

\*For continuous operation beyond this range, contact factory.

TO ORDER, SPECIFY  
**WM498F**  
 Model Number  
**PART NUMBER 104517**