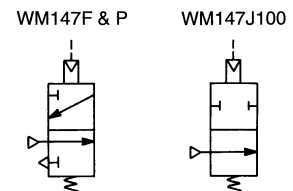


WM147 SERIES NORMALLY OPEN RELAY VALVE

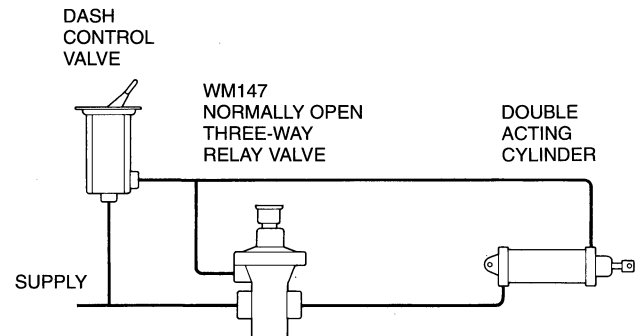
35 SCFM @ 100 PSI

I.S.O. SYMBOL



DESCRIPTION

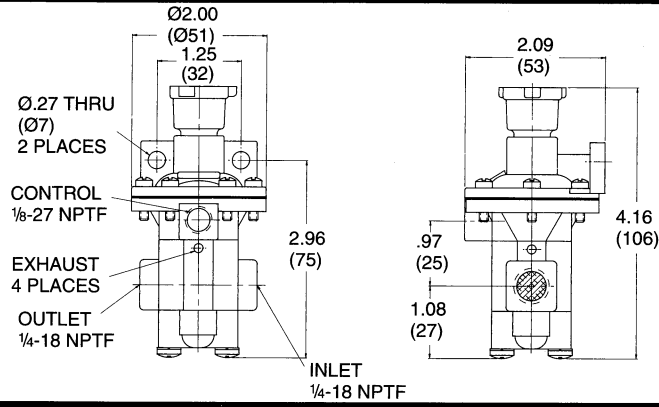
A variety of normally open, non-compensating relay valves are available in the WM147 series. Control pressure is used to close these normally open valves; the required control pressure signal differs with each model. These relays are available either as two-way valves without an exhaust mode, or as three-way valves if the exhaust mode is desired. As shown in the installation drawing, the three-way models are used with a two-position control valve in applications where a four-way function is desired.



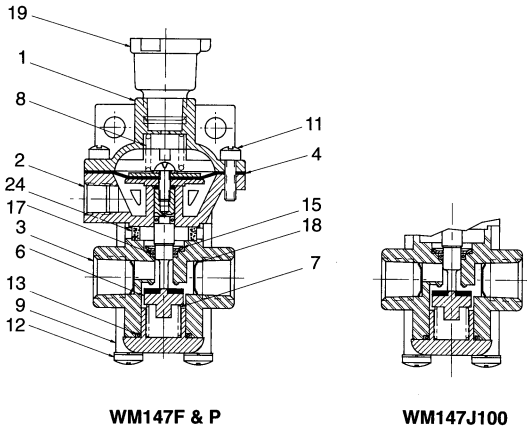
SPECIFICATIONS

PORT SIZES: Inlet & Outlet.....	1/4-18 NPTF
Control	1/8-27 NPTF
Exhaust (WM147 F & P).....	Unthreaded
MAXIMUM OPERATING PRESSURE	150 PSI (1034 kPa)
OPERATING TEMPERATURE.....	-20°F to 200°F (-29°C to 93°C)
FLOW RATING	35 SCFM @ 100 PSI (1,0 m ³ /min @ 690 kPa)
MOUNTING	Integral Bracket on Cover and Two 1/4" Fasteners
MOUNTING ATTITUDE	Optional
MATERIALS: Body Castings	Die Cast Zinc Alloy
Stem	Aluminum
Diaphragm	Fabric-Reinforced Buna N
Poppet.....	Buna N with Aluminum Backing
O-Rings	Buna N
WEIGHT	15 oz. (0,4 kg)

DIMENSIONAL DATA



SECTIONAL VIEW



PARTS IDENTIFICATION

ITEM	DESCRIPTION	WM147F	WM147J100	WM147P	QTY.
1	Inlet Body	103119	103119	103119	1
2	Center Body	103243	103243	103243	1
3	Lower Body	103290	103121	103290	1
*4	Diaphragm Assembly	110120	103368	110120	1
*6	Poppet	103879	103879	103879	1
7	Spring	101021	101021	101021	1
8	Spring	103292	101685	101685	1
9	End Cap	118132	118132	118132	1
11	Screw	119223	119223	119223	6
12	Screw	118770	118770	118770	4
*13	O-Ring	116380	116380	116380	1
*15	Snap Ring	116189	116189	116189	1
*17	O-Ring	116299	116299	116299	1
18	Screen	116456	116456	116456	2
19	WM111A Breather	111411	111411	111411	1
24	Filter	104077	-	104077	1

Service WM147F & P with repair kit 114161.

Service WM147J100 with repair kit 114160.

*Item included in repair kit.

ORDERING INFORMATION

TO ORDER, SPECIFY

WM147 _____

Model Number Suffix

PART NUMBER _____

SELECT SUFFIX & PART NUMBER BELOW

SUFFIX	PART NUMBER	DESCRIPTION	CONTROL PRESSURE	
			TO CLOSE	TO OPEN
WM147 F	111531	Three-Way	30-50 PSI (207-345 kPa)	15-30 PSI (103-207 kPa)
WM147 J100	130035	Two-Way	10-20 PSI (69-138 kPa)	5-10 PSI (35-69 kPa)
WM147 P	111542	Three-Way	10-30 PSI (69-207 kPa)	5-10 PSI (35-69 kPa)

WILLIAMS CONTROLS, INC.

14100 SW 72ND AVENUE, PORTLAND, OREGON 97224

TEL (503) 684-8600 TELECOPIER (503) 684-8610