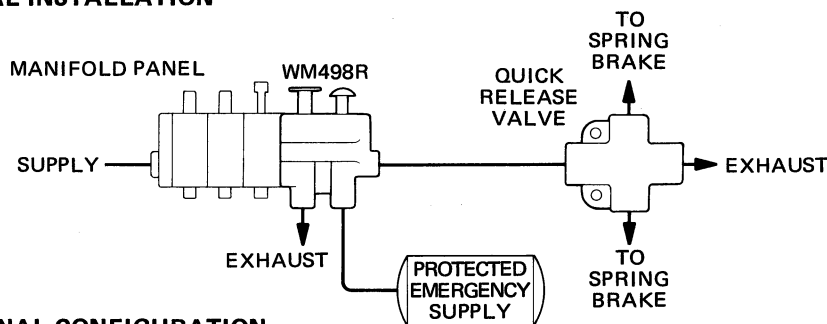
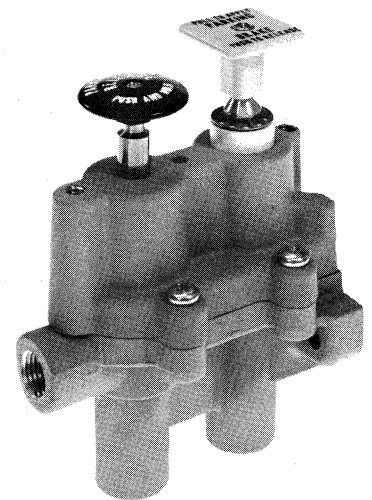
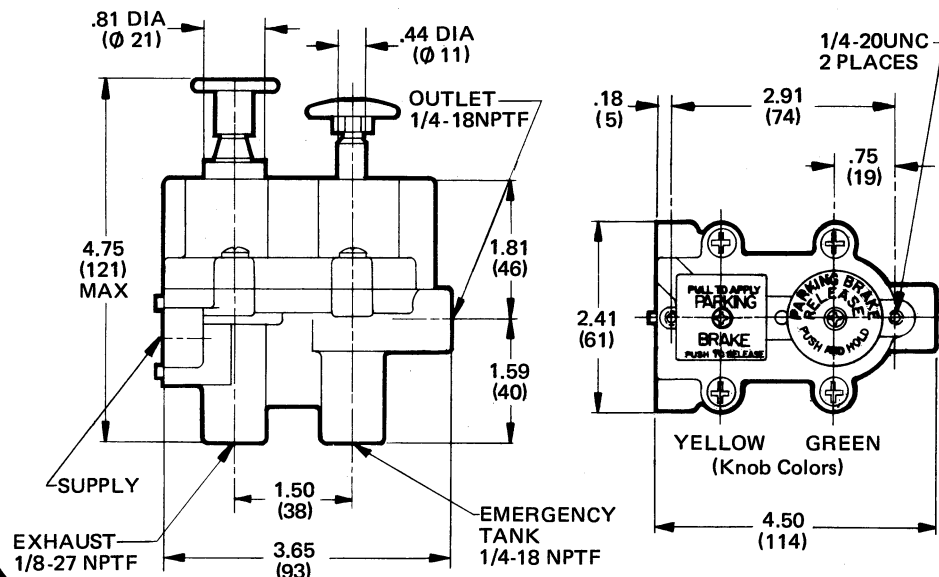
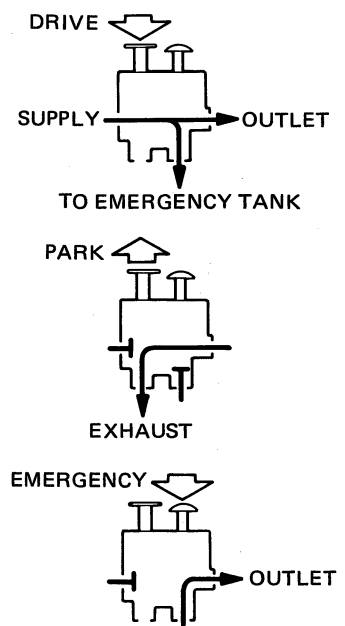
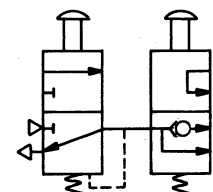


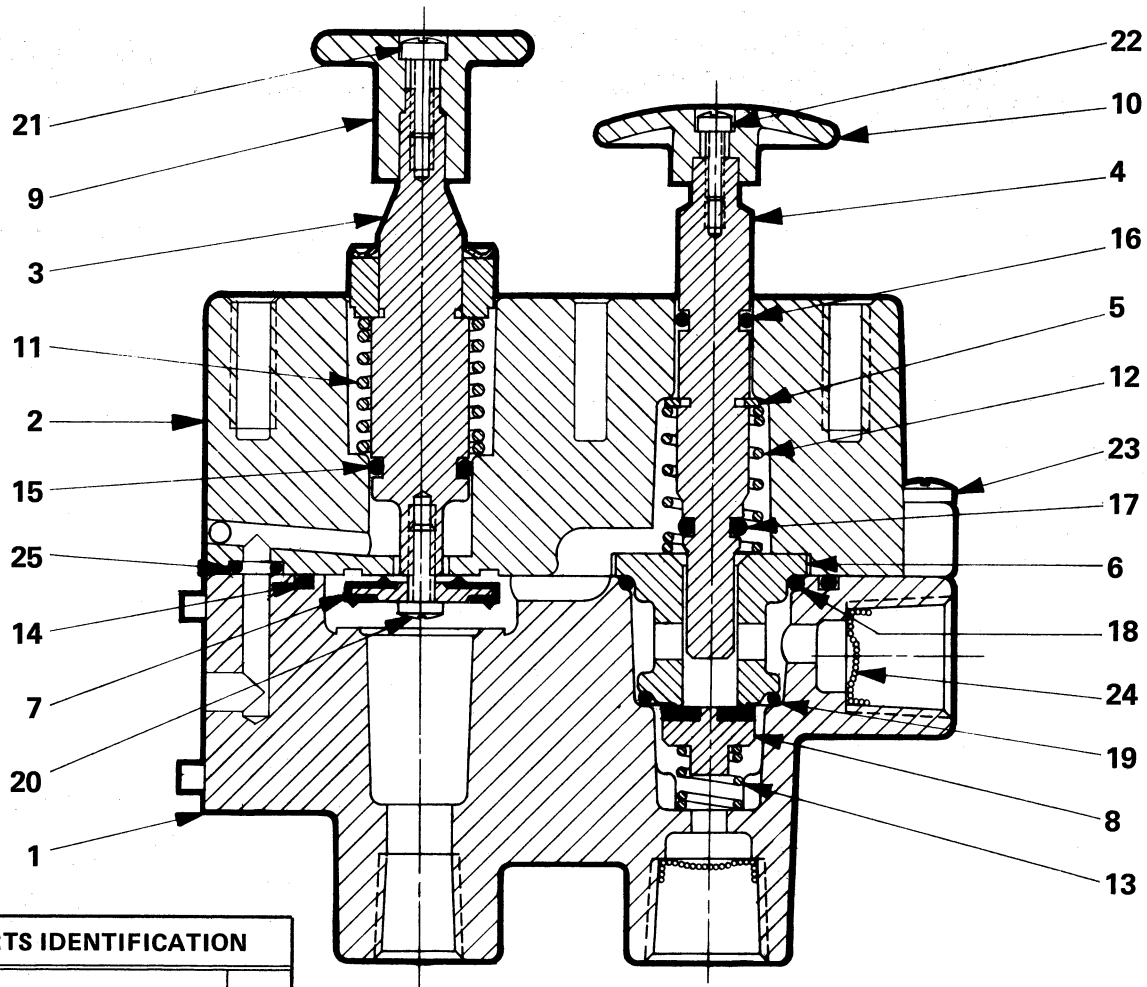
PRODUCT DESCRIPTION

DESCRIPTION The WM498R is a component of the WM498 series manifold panel assemblies. A dual function, gang-mounted air control valve, the WM498R has a built-in provision for an emergency supply reservoir. The unit consists of two manually-operated three-way valves housed in an integral casting.

OPERATION In the WM498 R dual function control valve, one valve assembly controls the supply and exhaust ports, while the other controls the outlet and emergency ports. When pressure at the supply port exceeds 45 PSI (310,3 kPa), the first valve can be manually opened or closed. From the first valve, air flows into the second valve, which is spring-loaded to allow air to pass directly to the outlet and emergency ports. If the supply pressure drops to the 35-45 PSI (241,3-310,3 kPa) range, the first valve automatically closes the supply port. Any pressure at the outlet port is released through the exhaust. A built-in check valve in the emergency port protects the emergency air supply. When the normal air supply is shut off, the second valve may be manually actuated to close the exhaust port and open the emergency port. The emergency reservoir then supplies air to the outlet port. Since the second valve's function is intended for temporary, emergency use, this valve's control must be held manually. As soon as this control is released, pressure at the outlet port is discharged through the exhaust.

APPLICATION The WM498R dual function control valve is often used in heavy duty vehicular air brake systems to control the spring brakes in normal and emergency conditions. This valve is also suitable for industrial applications that require both normal and emergency supply controls.

TYPICAL INSTALLATION

EXTERNAL CONFIGURATION

**DUAL
FUNCTION
CONTROL
VALVE**
FUNCTIONAL DIAGRAM

I.S.O. SYMBOL




PARTS IDENTIFICATION

ITEM	DESCRIPTION	QTY.
1	END COVER	1
2	STEM BODY ASSEMBLY	1
* 3	STEM ASSEMBLY	1
4	STEM	1
5	RETAINING RING	1
6	SPOOL	1
* 7	POPPET	1
* 8	POPPET	1
9	SQUARE BUTTON	1
10	ROUND BUTTON	1
11	SPRING	1
12	SPRING	1
13	SPRING	1
* 14	O-RING	1
* 15	O-RING	1
* 16	O-RING	1
* 17	O-RING	2
* 18	O-RING	1
* 19	O-RING	1
20	SCREW	1
21	SCREW	1
22	SCREW	1
23	SCREW	4
24	SCREEN	2
25	O-RING	1

Service this unit with repair kit number 100161.
 *Asterisk designates parts included in repair kit.

SPECIFICATIONS

PORT SIZES: Outlet & Emergency 1/4-18 NPTF
 Exhaust 1/8-27 NPTF
 MAXIMUM OPERATING PRESSURE. 150 PSI (1034,2 kPa)
 OPERATING TEMPERATURE* . . . -20°F to 200°F (-28,9°C to 93,3°C)
 FLOW RATING:
 Supply-to-Outlet . . 20 SCFM @ 100 PSI (0,6 m³/min @ 690 kPa)
 Outlet-to-Exhaust. . 25 SCFM @ 100 PSI (0,7 m³/min @ 690 kPa)
 Emergency-to-Outlet . 35 SCFM @ 100 PSI (1,0 m³/min @ 690 kPa)
 AUTO. APPLICATION PRES. | . 35 to 45 PSI (241, 3 to 310, 3 kPa)
 MOUNTING. End of Control Panel Assembly
 MOUNTING ATTITUDE Optional
 MATERIALS: Body Castings Die Cast Aluminum Alloy
 Hardware. Cadmium-Plated Steel
 O-Rings and Seals. Buna N
 NET WEIGHT. 17 oz. (0,5 kg)
 *For continuous operation beyond this range, contact factory.

TO ORDER, SPECIFY
WM498R
 Model Number
PART NUMBER 106848