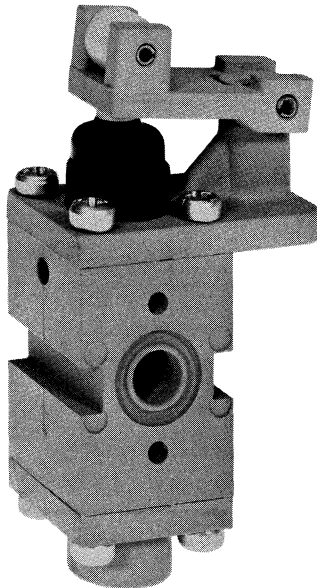
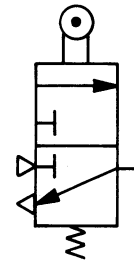


**WM458B
REPLACEMENT VALVE
FOR SHIFT SELECTORS**

15 SCFM @ 100 PSI

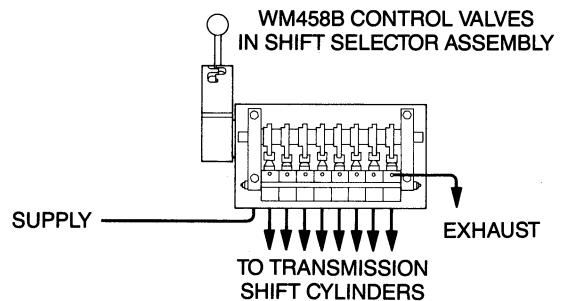


I.S.O. SYMBOL



DESCRIPTION

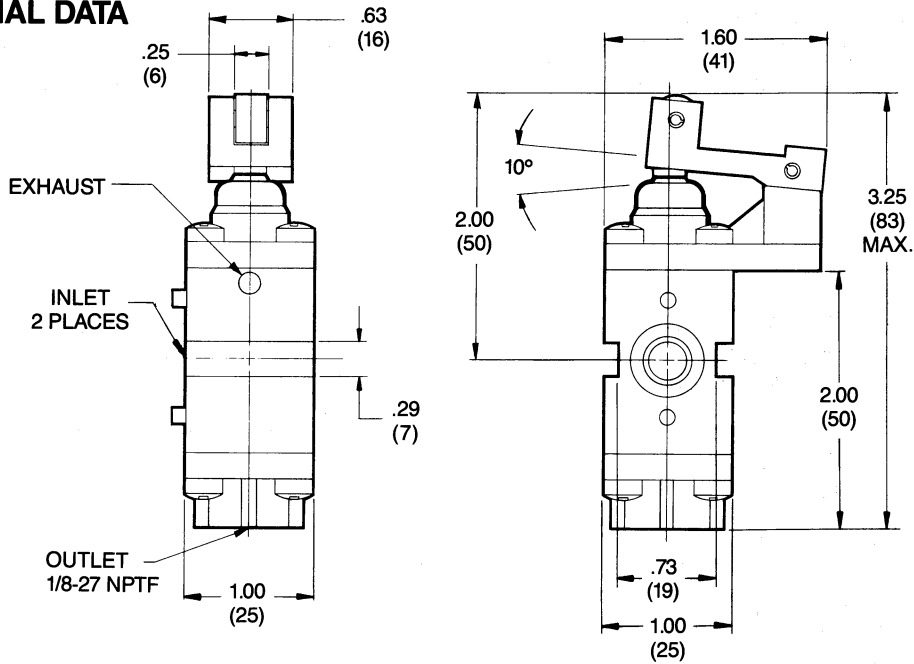
The WM458B is a three-way directional valve designed for gang mounting in shift selector assemblies. WM458B valves have integral aligning pins on mating surfaces and are held together in shift selector assemblies by two tie bolts. A single valve can easily be removed for replacement, or repaired with kit 114395.



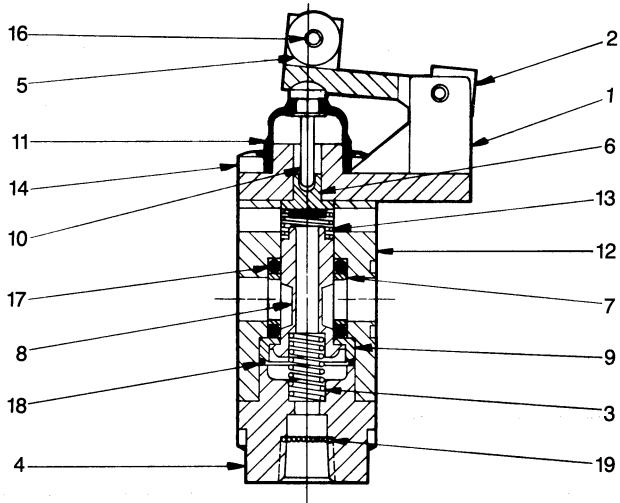
SPECIFICATIONS

PORT SIZE	1/8-27 NPTF
MAXIMUM SUPPLY PRESSURE	150 PSI (1034 kPa)
OPERATING TEMPERATURE	-20°F to 200°F (-29°C to 93°C)
FLOW RATING	15 SCFM @ 100 PSI (0,4 m ³ /min @ 690 kPa)
ROCKER TRAVEL TO ACTUATE	10° Maximum
MOUNTING	Designed for Gang Mounting in Shift Selector Assemblies
MOUNTING ATTITUDE	Optional
MATERIALS: Body Castings	Die Cast Aluminum Alloy
Push Rod	Brass
Roll Pins	Hardened Steel
Rollers	Nylon
Poppet	Buna N with Brass Backing
Dust Boot	Chloroprene Rubber
O-Rings	Buna N
WEIGHT	5 oz. (0,1 kg)

DIMENSIONAL DATA



SECTIONAL VIEW



ITEM	DESCRIPTION	PART NUMBER	QTY
1	Hinge Plate	103072	1
2	Rocker	103073	1
3	Spring	100724	1
4	Outlet Body	103118	1
5	Roller	103170	1
* 6	Poppet	103171	1
7	Spool	103172	1
* 8	Stem	103173	1
9	Seal Retainer	103174	1
10	Push Rod	103175	1
* 11	Boot	103176	1
12	Main Body	105011	1
13	Exhaust Spring	103233	1
14	Screw	119224	8
16	Spring Pin	115349	2
* 17	O-Ring	116304	2
* 18	O-Ring	116380	1
19	Screen	116455	1

Service this unit with repair kit 114395.

* Item is included in repair kit.

ORDERING INFORMATION

TO ORDER, SPECIFY **WM458B**

PART NUMBER 113117

WILLIAMS CONTROLS, INC.

14100 SW 72ND AVENUE, PORTLAND, OREGON 97224

TEL: (503) 684-8600, TELECOPIER: (503) 684-8610