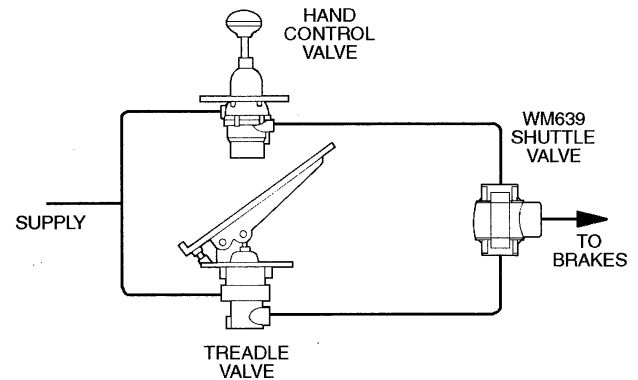


WM639 Series 3/8 Inch Shuttle Valve

130 SCFM @ 100 PSI

DESCRIPTION

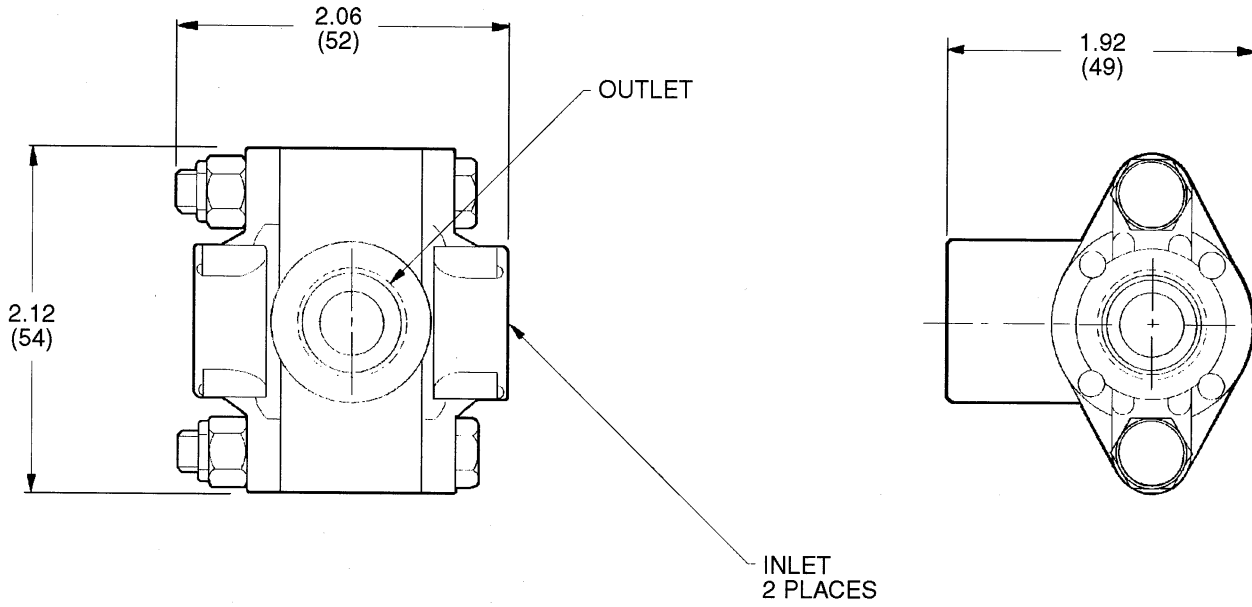
The WM639 is an in-line shuttle valve engineered for applications with a low to moderate air flow rate. It functions as a double check valve, allowing two pressure sources to independently supply a single outlet. The WM639 is equipped with a die cast zinc shuttle which moves freely back and forth in a chamber connecting the valve's two inlet ports. As long as there is a pressure differential between the inlets, the shuttle seals off the one with the least supply pressure. This valve is commonly used in air brake systems in which a hand valve and a treadle are both used to control the same function.



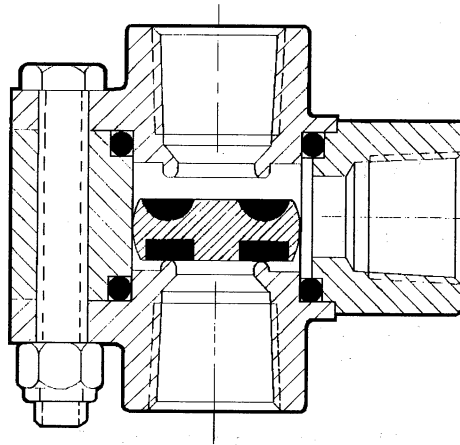
SPECIFICATIONS

Port size	3/8-18 NPTF
Maximum supply pressure	150 PSI (1034 kPa)
Operating temperature	-20°F to 200°F (-29°C to 93°C)
Flow rating	130 SCFM @ 100 PSI (3,5 m ³ /min @ 690 kPa)
Mounting	In-line
Mounting attitude	Optional
Materials: Body castings	Iridited die cast zinc alloy
Shuttle	Buna N bonded to zinc alloy
O-rings	Buna N
Weight	7 oz (0,2 kg)

DIMENSIONAL DATA



CROSS SECTION



ORDERING INFORMATION

To order, specify **WM639A**, part number 113934.