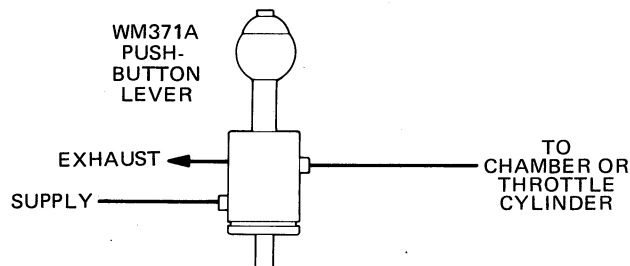
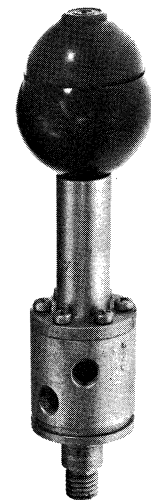
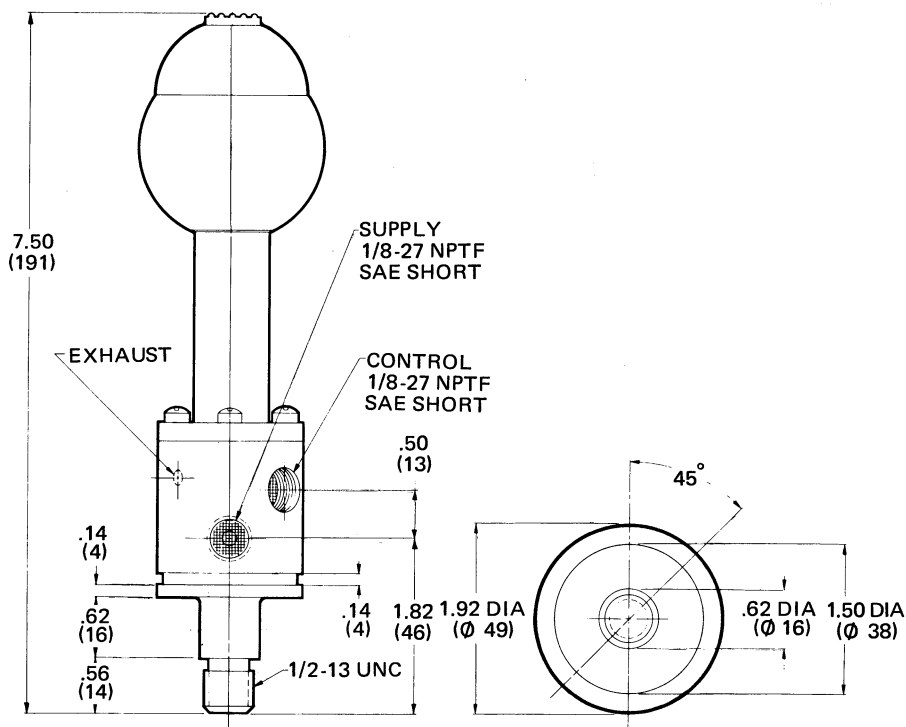
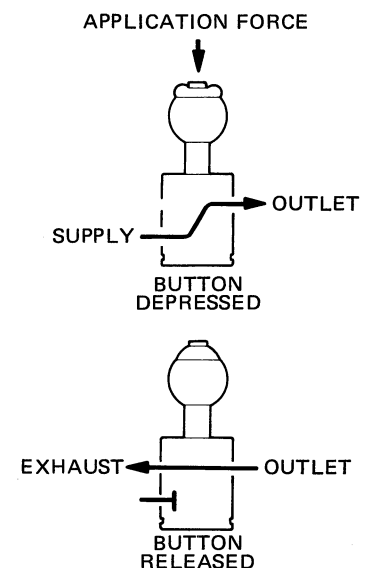
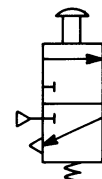


**PRODUCT DESCRIPTION**

**DESCRIPTION** The WM371A push button lever is a three-way, non-compensating control valve designed to replace or supplement an existing handle. Unlike most handles, this lever has a recessed push button that provides an additional manual control. The WM371A is equipped with a special dust boot that prevents dirt entry and gives the operator a firm grip on the button.

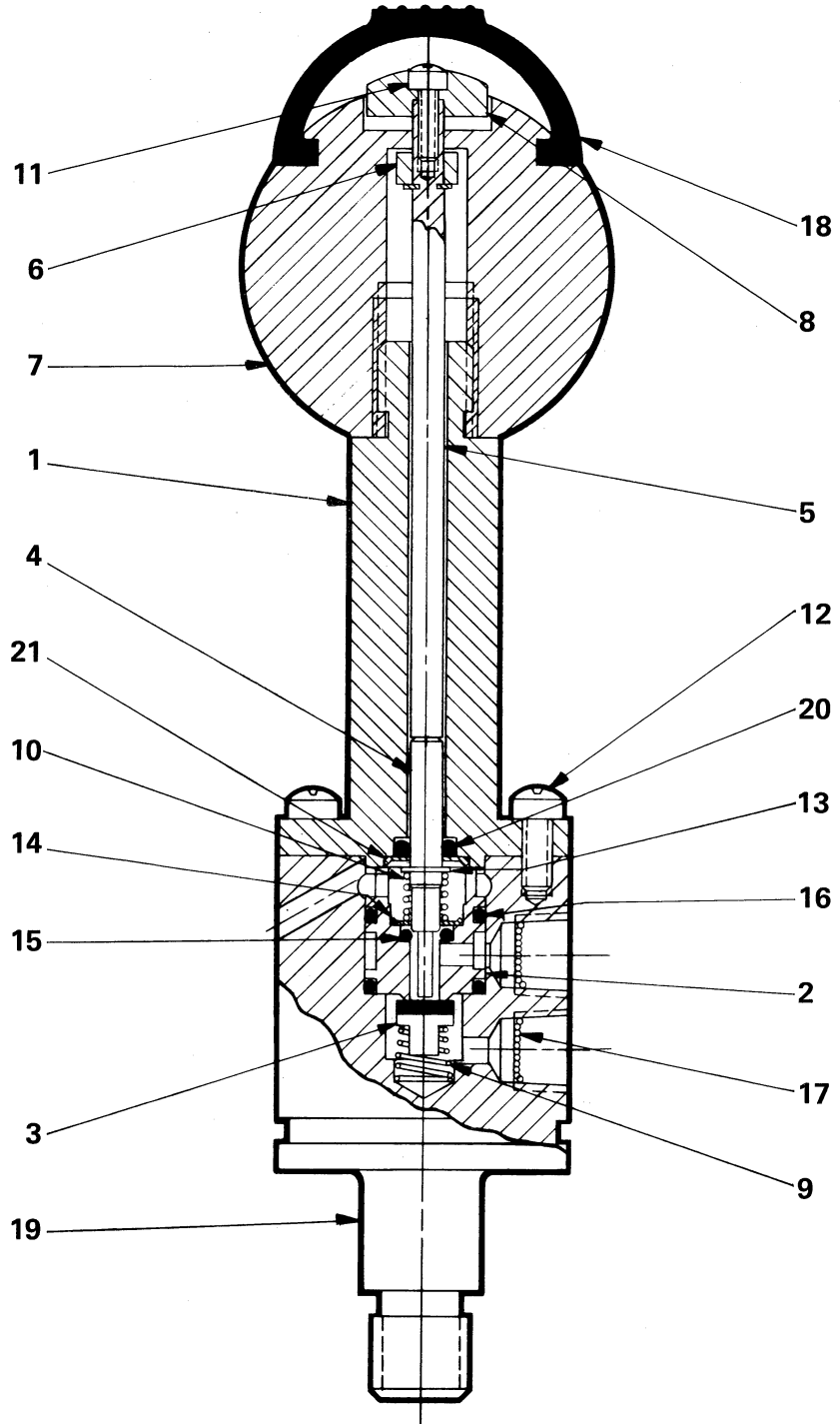
**OPERATION** When depressed, the button acts against a stem which unseats the supply poppet. Air pressure is directed from the supply port to the outlet port. When the operator releases the button, an internal spring seats the supply poppet and returns the stem to the rest position. Outlet pressure escapes to the atmosphere through an unthreaded exhaust vent.

**APPLICATION** The WM371A push button lever is frequently used in pneumatic control systems for industrial equipment and off-road vehicles. Typical applications include usage as a drum reverse or drag line control on a grapple or bucket. The WM371A lever can be mounted in place of a handle control, or with the appropriate fittings, the unit can be adapted for mounting with an existing lever.

**TYPICAL INSTALLATION**

**EXTERNAL CONFIGURATION**

**PUSH  
BUTTON  
LEVER**
**FUNCTIONAL DIAGRAM**

**I.S.O. SYMBOL**


PARTS IDENTIFICATION		
ITEM	DESCRIPTION	QTY.
1	HANDLE BODY	1
2	SPOOL	1
* 3	POPPET	1
4	STEM	1
5	PUSH ROD	1
6	SPACER (102641)	1
7	KNOB (103587)	1
8	BUTTON (102643)	1
9	SPRING	1
10	SPRING	1
11	SCREW	1
12	SCREW	6
13	RETAINING RING	2
* 14	RETAINING RING	1
* 15	O-RING	1
* 16	O-RING	2
17	SCREEN (116455)	1
* 18	DUST BOOT (103588)	1
19	VALVE BODY	1
* 20	O-RING	1
* 21	RETAINING RING	1

Service this unit with repair kit number 114310. Replaceable items are followed by part numbers.  
\*Asterisk designates parts included in repair kit number 114310.



### SPECIFICATIONS

PORT SIZE . . . . . 1/8-27 NPTF  
 MAXIMUM OPERATING PRESSURE . . . . . 150 PSI (1034,2 kPa)  
 OPERATING TEMPERATURE\* . . . -20°F to 200°F (-28,9°C to 93,3°C)  
 FLOW RATING . . . . . 15 SCFM @ 100 PSI (0,4 m<sup>3</sup>/min @ 690 kPa)  
 MOUNTING . . . . . Using 1/2-13 UNC Male Threads on End of Body  
 MOUNTING ATTITUDE . . . . . Optional  
 MATERIALS: Valve & Handle Bodies . . . . . Zinc-Plated Steel Alloy  
           Stem . . . . . Aluminum  
           Push Rod . . . . . Brass  
           Knob . . . . . Phenolic  
           Poppet . . . . . Buna N with Aluminum Backing  
           Dust Boot . . . . . Chloroprene Rubber  
 NET WEIGHT . . . . . 1 lb. 7 oz. (0,7 kg)

\*For continuous operation beyond this range, contact factory.

**TO ORDER, SPECIFY**  
**WM371A**  
 Model Number  
**PART NUMBER 112550**