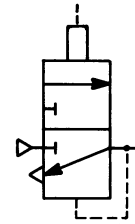


WM227F AIR BRAKE RELAY VALVE

1/2" PORTS
400 SCFM @ 100 PSI



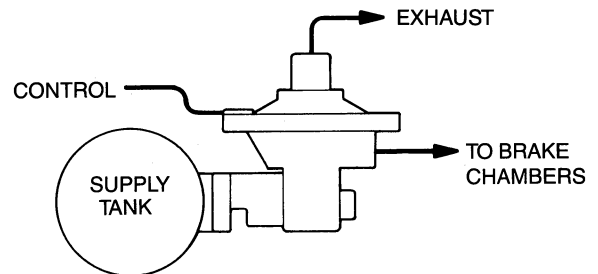
I.S.O. SYMBOL



DESCRIPTION

The WM227F is a regulating relay valve used in vehicular air brake systems. It rapidly delivers supply pressure to the brake chambers when it receives a pilot signal from the service brake control. When the service brake treadle is released, pressure at the chambers is exhausted to atmosphere.

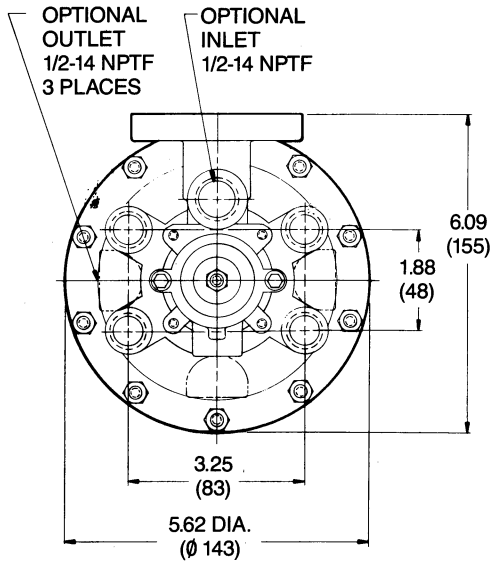
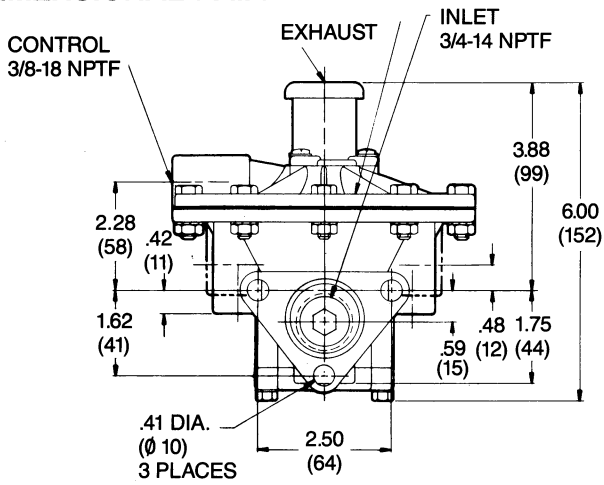
For optimum performance, the WM227F is usually mounted directly to its supply tank. WM227F relays can be used on trailers equipped with spring brakes as well as in tractor brake systems. For pre-121 trailers, use a WM101 emergency relay valve.



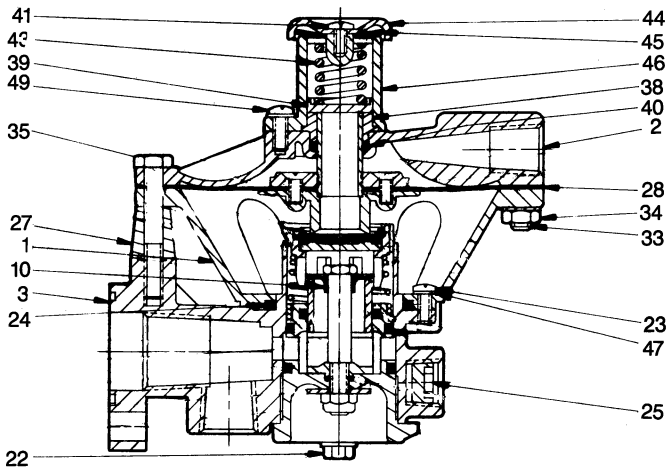
SPECIFICATIONS

PORT SIZES: Chamber Ports	1/2-14 NPTF
Control Port	3/8-18 NPTF
Inlet	3/4-14 NPTF
Optional Inlet	1/2-14 NPTF
MAXIMUM SUPPLY PRESSURE	150 PSI (1034 kPa)
OPERATING TEMPERATURE	-20°F to 200°F (-29°C to 93°C)
FLOW RATING	400 SCFM @ 100 PSI (11 m ³ /min @ 690 kPa)
CRACKING PRESSURE	3 PSI w/100 PSI Supply (21 kPa w/690 kPa)
MOUNTING	On Tank or w/Integral Bracket
RECOMMENDED MOUNTING ATTITUDE	Exhaust Port Up
MATERIALS: Body Castings	Die Cast Zinc Alloy
Cover	Die Cast Aluminum Alloy
Poppets & Seals	Buna N
Diaphragm	Fabric-Reinforced Buna N
WEIGHT	4 lbs., 8 oz. (2,0 kg)

DIMENSIONAL DATA



SECTIONAL VIEW



ITEM	DESCRIPTION	PART NUMBER	QTY
1	Body	101961	1
2	Control Cover	100130	1
3	Bracket Body	101395	1
10	Cartridge Assembly	101840	1
22	Screw	118708	2
23	Screw	118445	4
*24	O-Ring	116341	1
25	Pipe Plug	116083	1
27	Support Pillar	101427	1
*28	Diaphragm Assembly	102868	1
33	Screw	114949	9
34	Lock Nut	114543	9
35	Screw	114849	1
38	Seal Retainer	101419	1
39	Stop Plate	101420	1
*40	O-Ring	116314	1
41	Screw	114768	1
43	Spring	101079	1
44	Cap	101421	1
*45	Exhaust Check	101422	1
46	Spring Retainer	101423	1
*47	Seal Washer	116488	4
49	Screw	100110	3

Service this unit with repair kit 114208.

*Item is included in repair kit.

Kit also contains parts to service cartridge assembly (item 10).

ORDERING INFORMATION

TO ORDER, SPECIFY **WM227F**

PART NUMBER 100512

WILLIAMS CONTROLS, INC.

14100 SW 72ND AVENUE, PORTLAND, OREGON 97224

TEL: (503) 684-8600, TELECOPIER: (503) 684-8610