

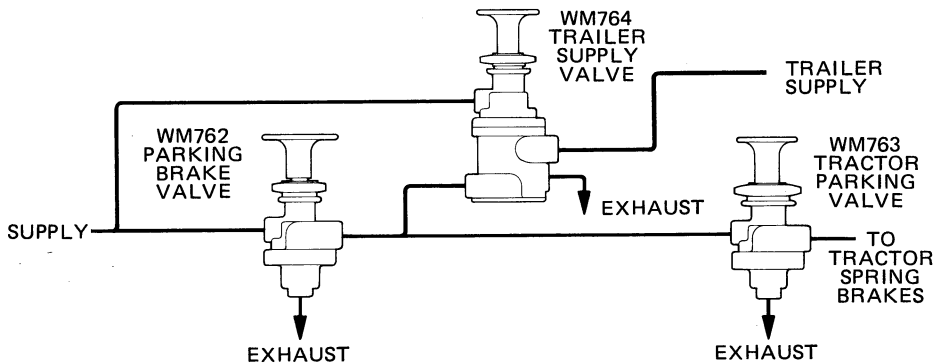
## PRODUCT DESCRIPTION

**DESCRIPTION** The WM763 is a panel-mounted three-way control valve with push-to-exhaust action. The valve does not incorporate an internal spring and must be returned manually to the exhaust position. The WM763 control valve is available with a blue or black plastic knob, and each knob is inscribed with a functional description (shown in the external configuration below). All knobs feature a white band that indicates whether the valve is in the applied or released position.

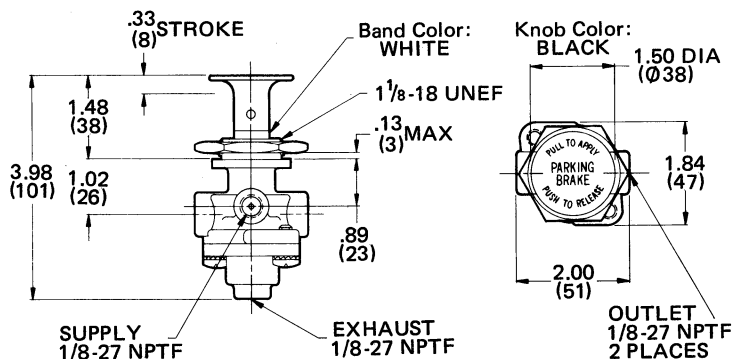
**OPERATION** The valve does not require a minimum supply pressure for operation. When the knob is pushed in, the supply port opens to allow delivery to the outlet port. Since this valve is not automatically returned by a spring, it must be manually deactivated. When the knob is pulled out, the supply port closes, and any pressure at the outlet port is discharged through the exhaust port.

**APPLICATION** The WM763 control valve can be used in any pneumatic circuit where a manual on-off valve is required. In air brake systems of heavy duty tractor-trailer combinations, this valve is often used with the WM762 parking brake valve as an optional manual control for the tractor spring brakes. To distinguish the WM763 from the WM762, the WM763 has a 1/8-18 UNEF threaded mounting nut. The WM763 control valve complies with the provisions of FMVSS-121.

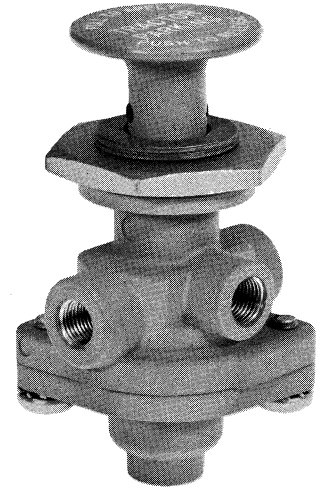
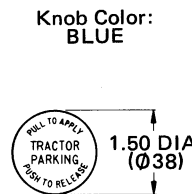
## TYPICAL INSTALLATION



## EXTERNAL CONFIGURATION

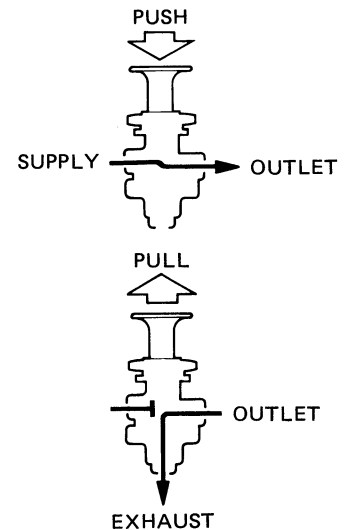


## OPTIONAL BUTTON

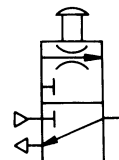


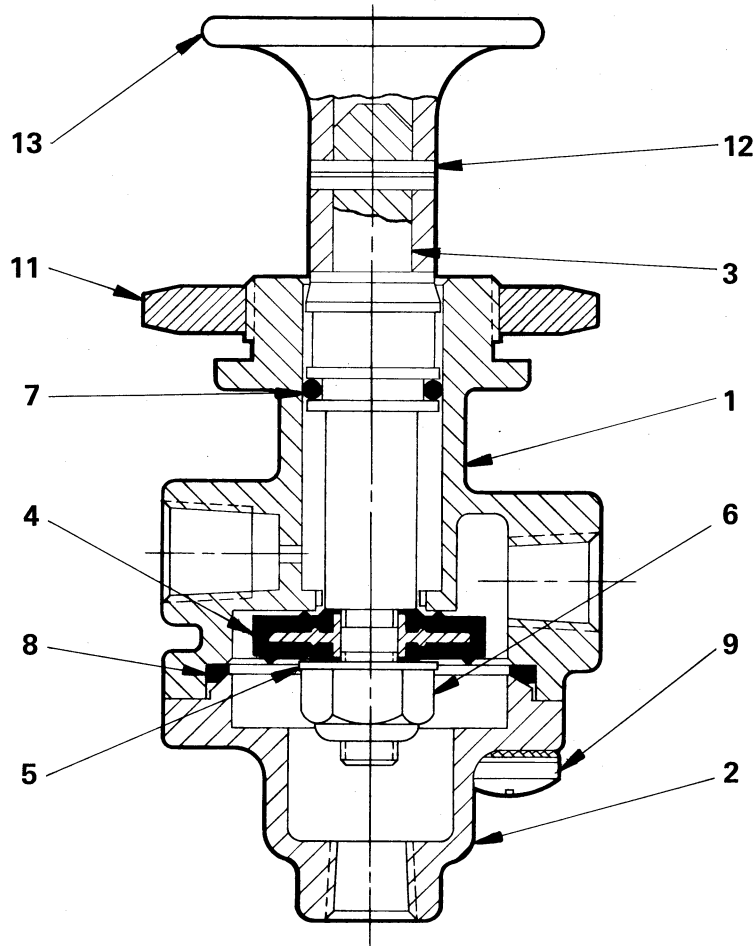
## TRACTOR PARKING VALVE

## FUNCTIONAL DIAGRAM



## I.S.O. SYMBOL





PARTS IDENTIFICATION		
ITEM	DESCRIPTION	QTY.
1	BODY	1
2	END CAP	1
3	STEM	1
* 4	POPPET	1
5	WASHER	1
6	LOCKNUT (114592)	1
* 7	O-RING	1
* 8	SQUARE SEAL	1
9	SCREW	2
11	NUT	1
12	SPRING PIN (117071)	1
13	BUTTON	1

Service this unit with repair kit number 117659. To replace the button on the WM763A4A or A8A, refer to the ordering information block. Other replaceable items are followed by part numbers.  
 \*Asterisk designates parts included in repair kit 117659.

**SPECIFICATIONS**

PORT SIZE . . . . . 1/8-27 NPTF  
 MAXIMUM OPERATING PRESSURE . . . . . 150 PSI (1034,2 kPa)  
 OPERATING TEMPERATURE\* . . . -20°F to 200°F (-28,9°C to 93,3°C)  
 FLOW RATING . . . . . 24 SCFM @ 100 PSI (0,7 m<sup>3</sup>/min @ 690 kPa)  
 MOUNTING . . . . . 1.14 in. (29 mm) Diameter Hole in Control Panel  
 MOUNTING ATTITUDE . . . . . Optional  
 MATERIALS: Body Castings . . . . . Die Cast Zinc Alloy  
                   Hardware . . . . . Cadmium-Plated Steel  
                   Knob . . . . . Flame-Retardant ABS Plastic  
                   O-Rings & Seals . . . . . Buna N  
 NET WEIGHT . . . . . 9.5 oz. (0,3 kg)  
 \*For continuous operation beyond this range, contact factory.

**TO ORDER, SPECIFY**

**WM763** \_\_\_\_\_

Model Number                      Suffix

**PART NUMBER** \_\_\_\_\_

**SELECT SUFFIX & PART NUMBER BELOW**

SUFFIX	PART NUMBER	KNOB IDENTIFICATION
WM763 A4A	117068	Blue Knob (P/N 117126) Lettered per D.O.T. & R.C.C.C.
WM763 A8A	118051	Black Knob (P/N 118050) Lettered per D.O.T. & R.C.C.C.