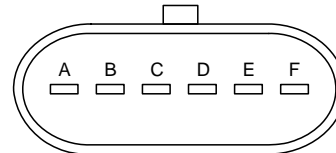


Features:

- Ratiometric APS output
- Form C IVS output
- IP66 Sealed
- +5V Operation
- Isolated APS/IVS functions
- -40°C to + 85°C Operation
- Integral Preload Spring
- Metripak 150-series compatible connector.


Applications:

- Truck Throttle Position Sensor
- Commonly applied to the following engines:
 - Cummins
 - Detroit Diesel III, IV, & V
 - International
 - Mack
 - MB NAFTA

Connector Pinout


View Facing Connector End

Pin	Function	Pin	Function
A	APSOUT	D	IVS ₂ NO
B	APSGND	E	IVS ₁ NC
C	APSVCC	F	IVSCOM

Mating Connector – Delphi-Metripak P/N **12066317** or equivalent

Description:

The WCS-133284 is a contact rotary position sensor that provides a linear output voltage proportional to absolute shaft rotation in either direction from a reference angle. It also provides an independent switched output that closes when the sensor is in the IDLE POSITION and a second output closes ON THROTTLE ACTIVE.

Absolute Maximum Ratings

APS Circuit:

Supply Voltage	+/-5.5V
Output Current	10 mA
Short Circuit Duration – to GND or VCC	Indefinite

IVS Circuit:

Supply Voltage	+/-5.5V
Output Current (IVS output)	0-10 mA

Whole Sensor:

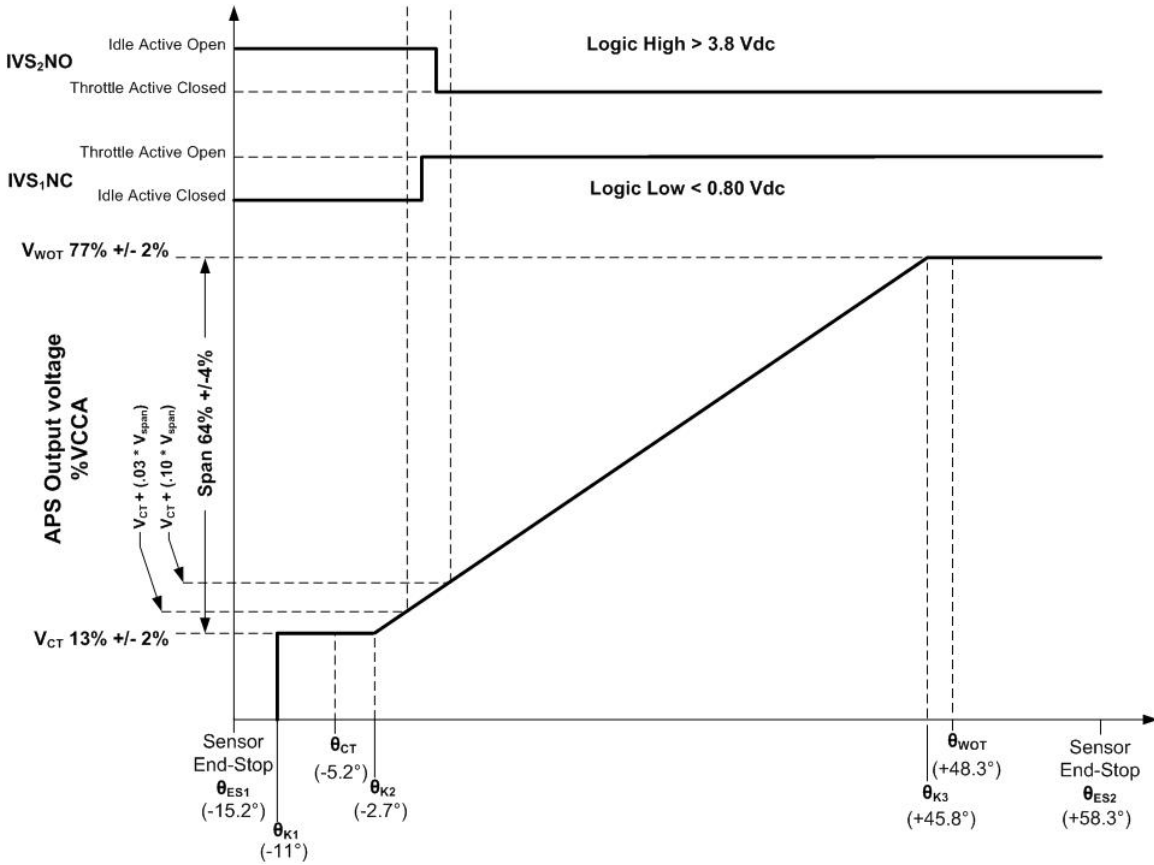
Operating Temperature	-40°C to +85°C
Storage Temperature	-40°C to +85°C

Operation of this device beyond absolute maximum ratings may result in permanent damage.

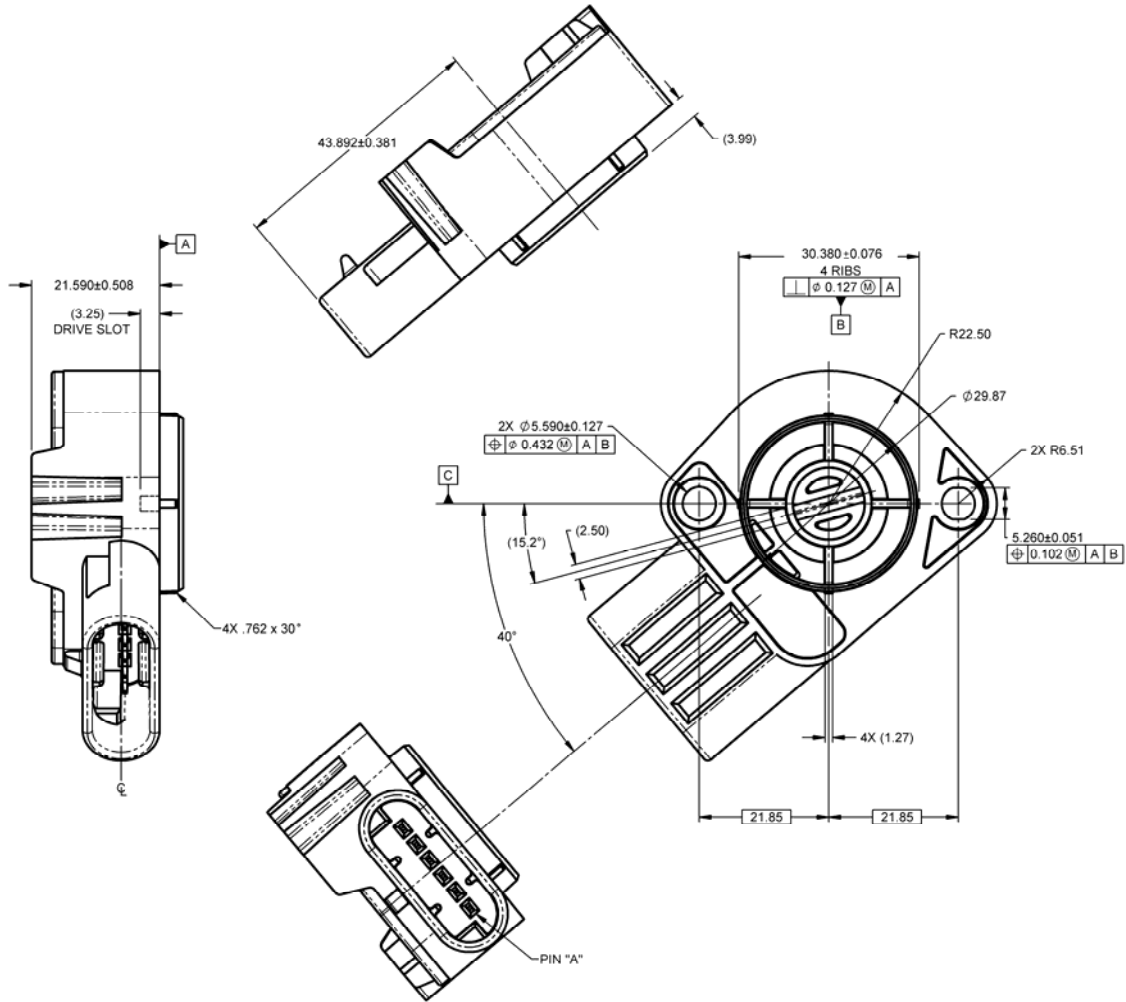
Environmental Validation

Salt Spray	Tested per Williams Controls Specification WDS-010B
Humidity	
Chemical Resistance	
Vibration and Shock	
Thermal Shock:	

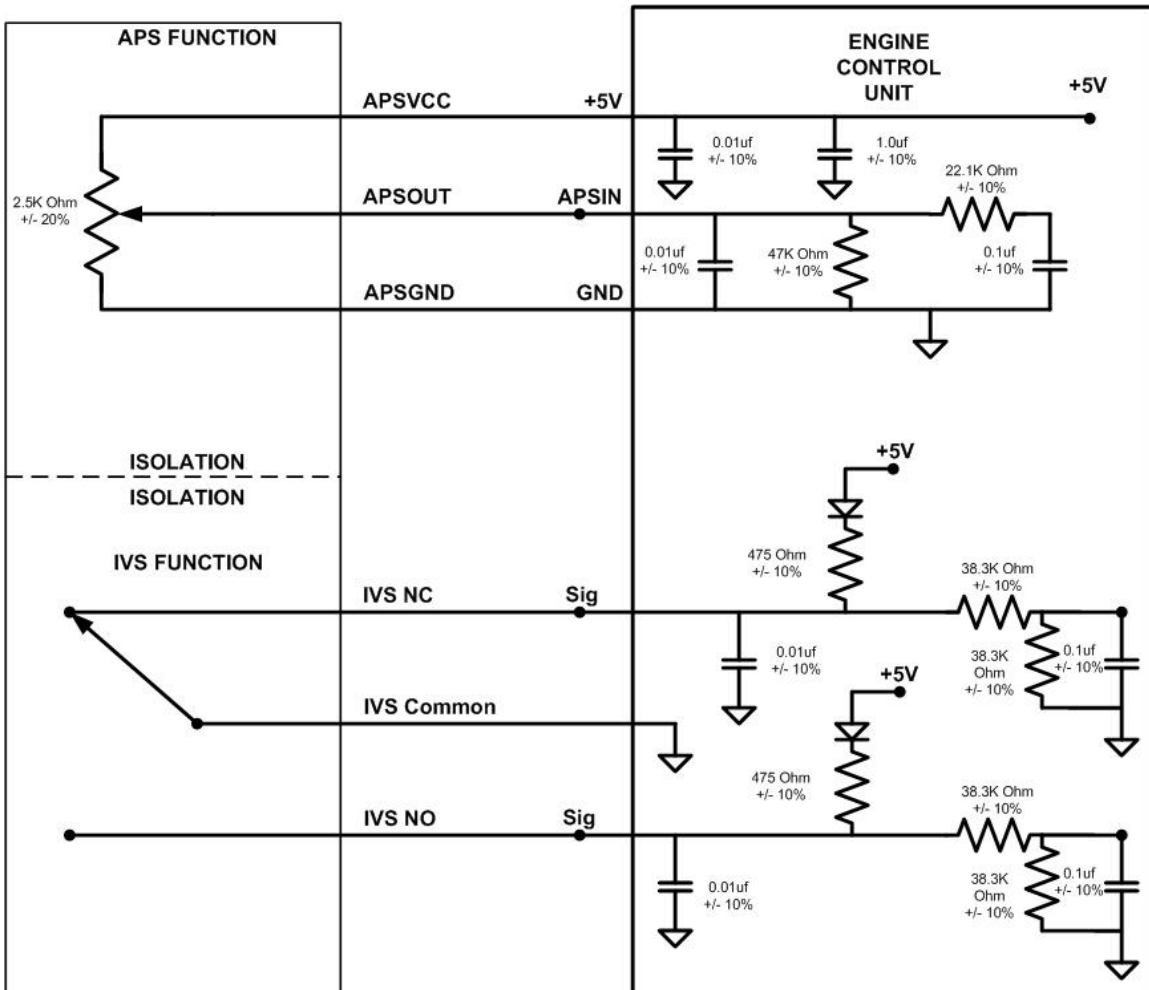
Typical Output Characteristics:



Mechanical Dimensions (Ref 133913):



Applications Information (Ref WTS-1020):



Revision History

Rev	Date		Description
-	3/21/2006	JSM	Advance Information Draft
0	4/07/2006	JSM	Minor updates for release
1	4/20/06	cWa	Removed (Ref dwg 133284)
2	4/25/06	JSM	Updated load circuit
3	5/12/06	JSM	Corrected typo in APS pin out
4	6/29/06	JSM	Corrected Load Circuit
5	8/3/06	JSM	Defined Values
6	8/17/06	JSM	Added full CM850 APS load circuit.. Ref table drawing 133913 for dims
7	02/28/07	JSM	Updated IVS terms.
8	03/05/07	JSM	Added 0.5 V for power supply tol.
9	08/07/07	PAH	Changed Max Current from ± 10 to 0-10mA