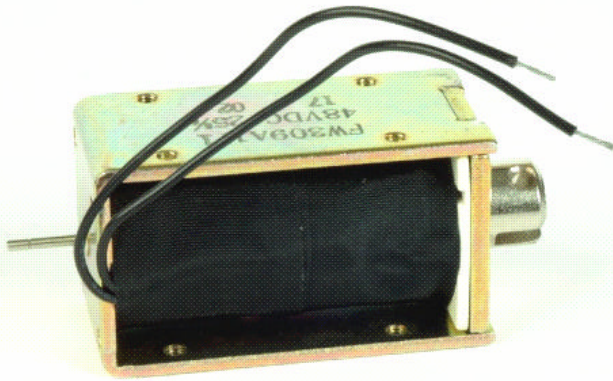


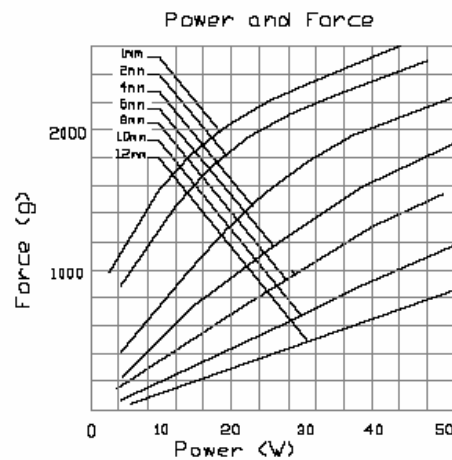
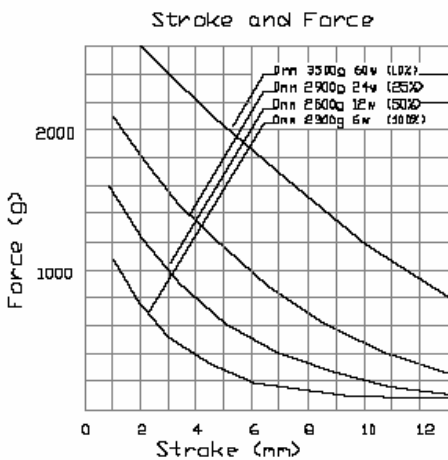
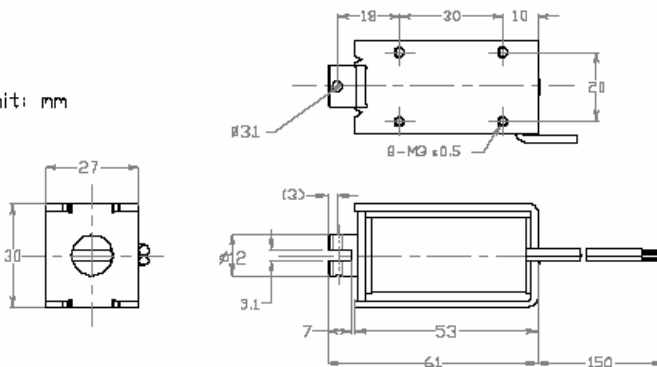
# D-Frame Solenoid

GD1253



- Pull Type
- Thrust Type
- Flying Leads
- Terminals
- Zinc Plated Frame
- Nickel Plated Plunger
- Customised Plunger Ends
- Customised Fixings
- Optional Voltages

Unit: mm



Standard Coil Specifications

Cont. rating (at 20°C) > 6w

Voltage (VDC)	Resistance (Ω)	Current (A)
6	6	1000
12	24	500
24	96	250
48	384	125

Total weight : 205g

Plunger weight : 39g