

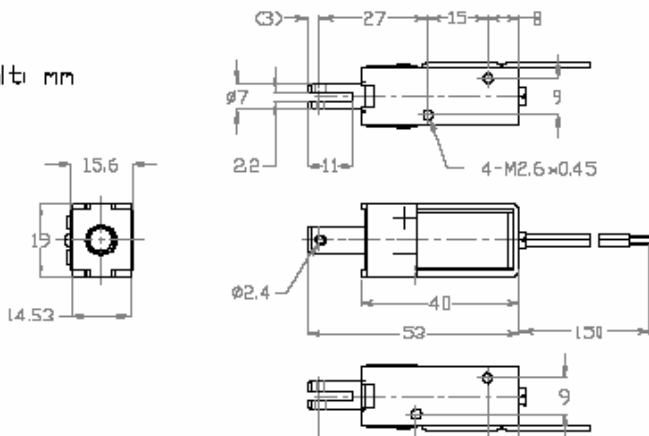
# Permanent Magnet

GK0740

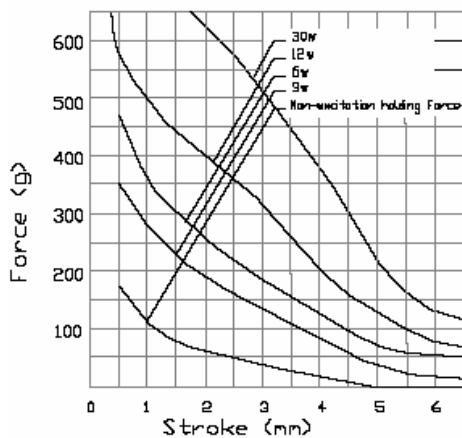


- Pull Type
- Thrust Type
- Flying Leads
- Terminals
- Zinc Plated Frame
- Nickel Plated Plunger
- Customised Plunger Ends
- Customised Fixings
- Optional Voltages

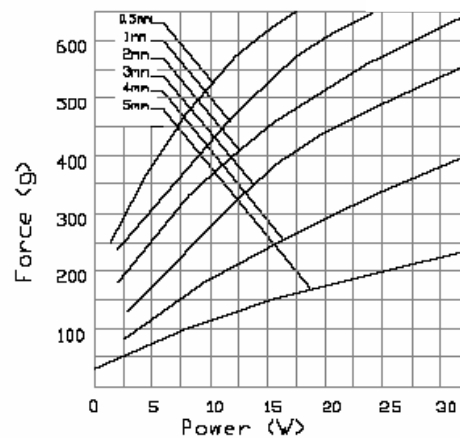
Unit: mm



Stroke and Force



Power and Force



Non-excitation holding force: 800g  
Standard Coil Specifications

Cont. rating (at 20°C): 3W

Voltage (VDC)	Resistance (Ω)	Current (mA)
6	12	500
12	48	250
24	192	125
48	768	62

Total weight : 37g

Plunger weight : 9g