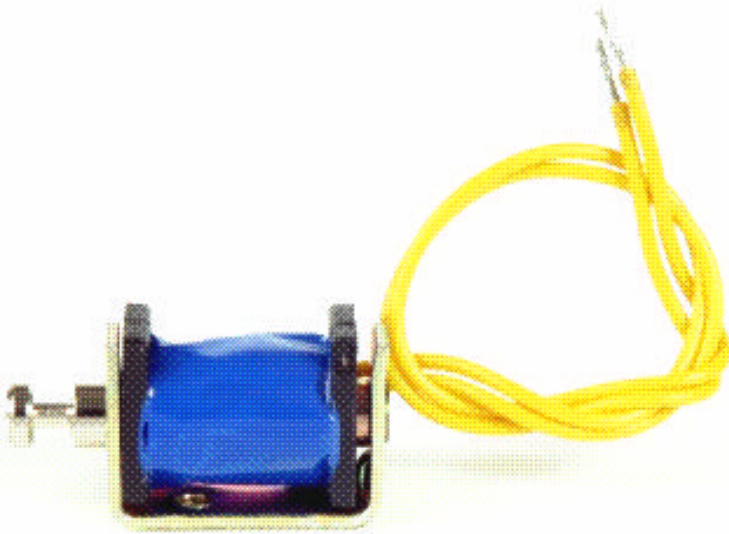
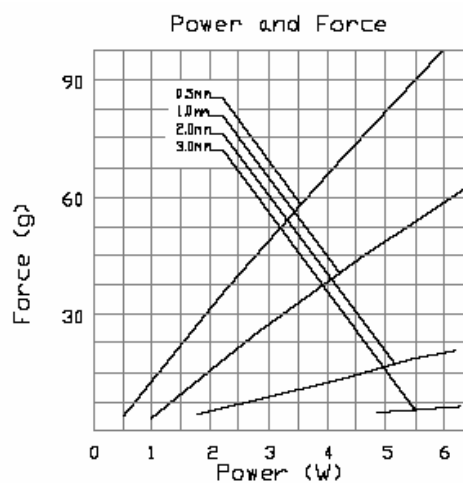
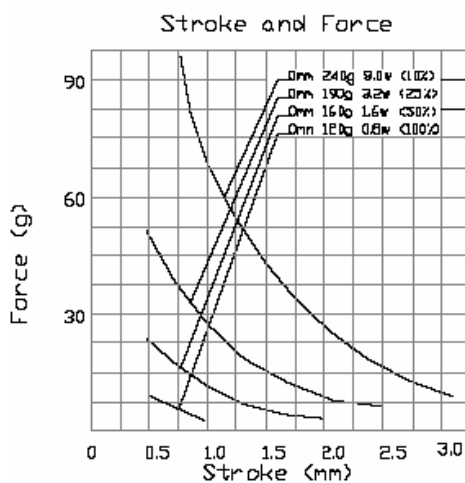
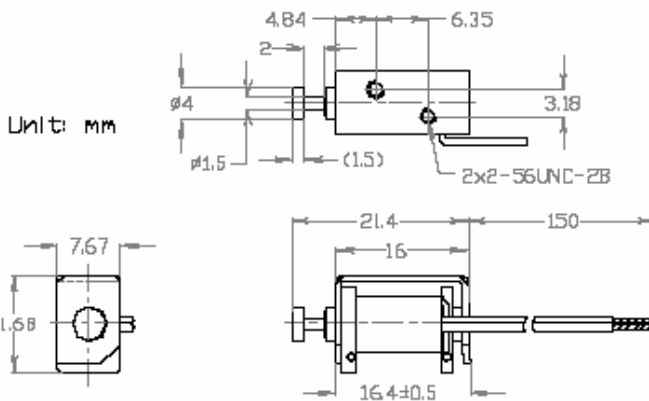


# C-Frame Solenoid

GC0416



- Pull Type
- Thrust Type
- Flying Leads
- Terminals
- Zinc Plated Frame
- Nickel Plated Plunger
- Customised Plunger Ends
- Customised Fixings
- Optional Voltages



### Standard Coil Specifications

Cont. rating (at 20°C) 0.8W

Voltage (V)	Resistance (Ω)	Current (mA)
3	11.2	267
6	45	133
12	180	67

Total weight : 6.5g  
Plunger weight : 2g