

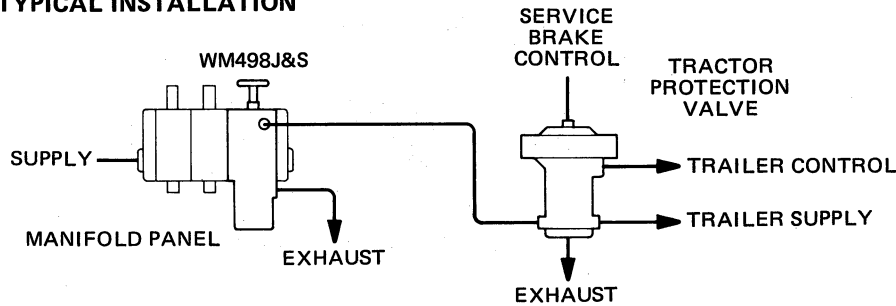
## PRODUCT DESCRIPTION

**DESCRIPTION** The WM498J and WM498S are components of the WM498 series manifold panel assemblies. The WM498J and WM498S are gang-mounted, three-way control valves that require actuation both manually and by supply pressure. The WM498S is designed to be mounted at one end of the manifold panel, while the WM498J is installed between two other components in the panel assembly. Functionally, the WM498J and the WM498S are identical. Each consists of a manually-actuated, three-way valve stacked in series with a pressure-actuated two-way valve that provides a non-override safety feature.

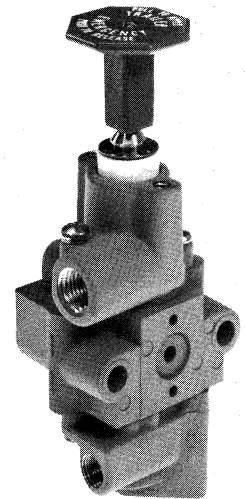
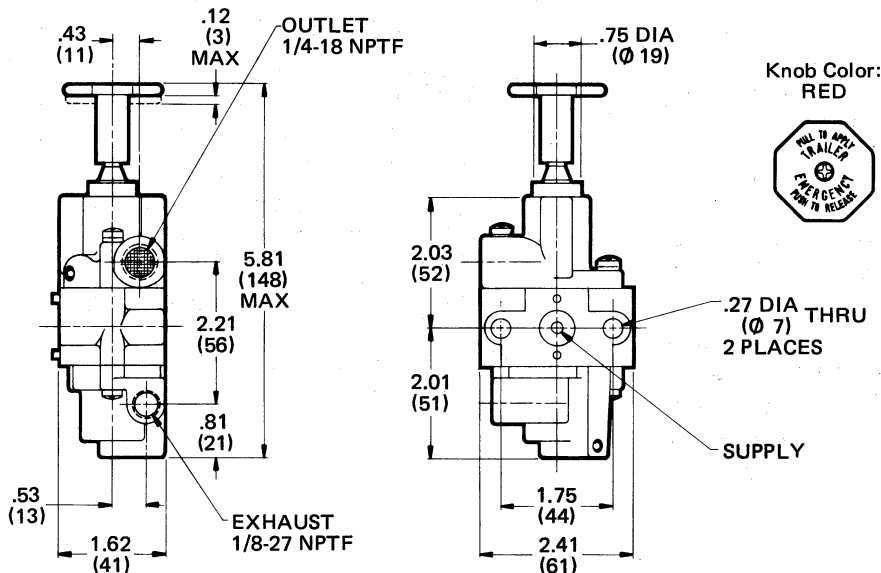
**OPERATION** The WM498J and WM498S are spring-returned, normally closed valves that require a minimum supply pressure of 35-45 PSI (241,3-310,3 kPa), to facilitate delivery after manual actuation. The manually-actuated portion of each valve controls the outlet port, and the pressure-actuated portion controls the supply and exhaust ports. When the supply pressure exceeds 35-45 PSI (241,3-310,3 kPa), the supply port opens, simultaneously closing the exhaust port. When this occurs, the manual portion of the valve can be operated to deliver pressure to the outlet port. If the supply pressure should drop below 35-45 PSI (241,3-310,3 kPa), the supply port automatically closes, and the exhaust port opens to release any pressure at the outlet port. The manual control cannot override this automatic safety function.

**APPLICATION** The WM498J and WM498S are engineered to control pressure delivery to industrial or vehicular pneumatic brake systems. These valves are often used in air brake systems of tractor-trailer combinations to control the trailer air supply.

## TYPICAL INSTALLATION

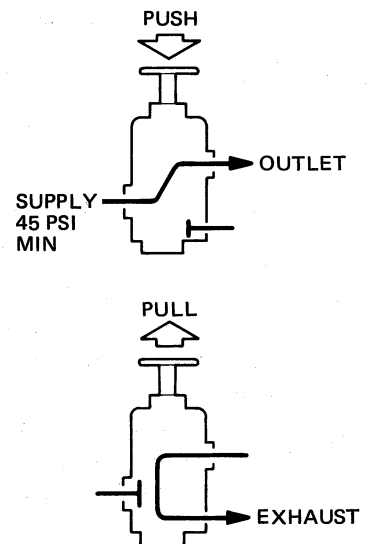


## EXTERNAL CONFIGURATION

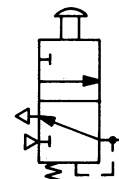


## THREE-WAY NON-OVERRIDE VALVE

## FUNCTIONAL DIAGRAM

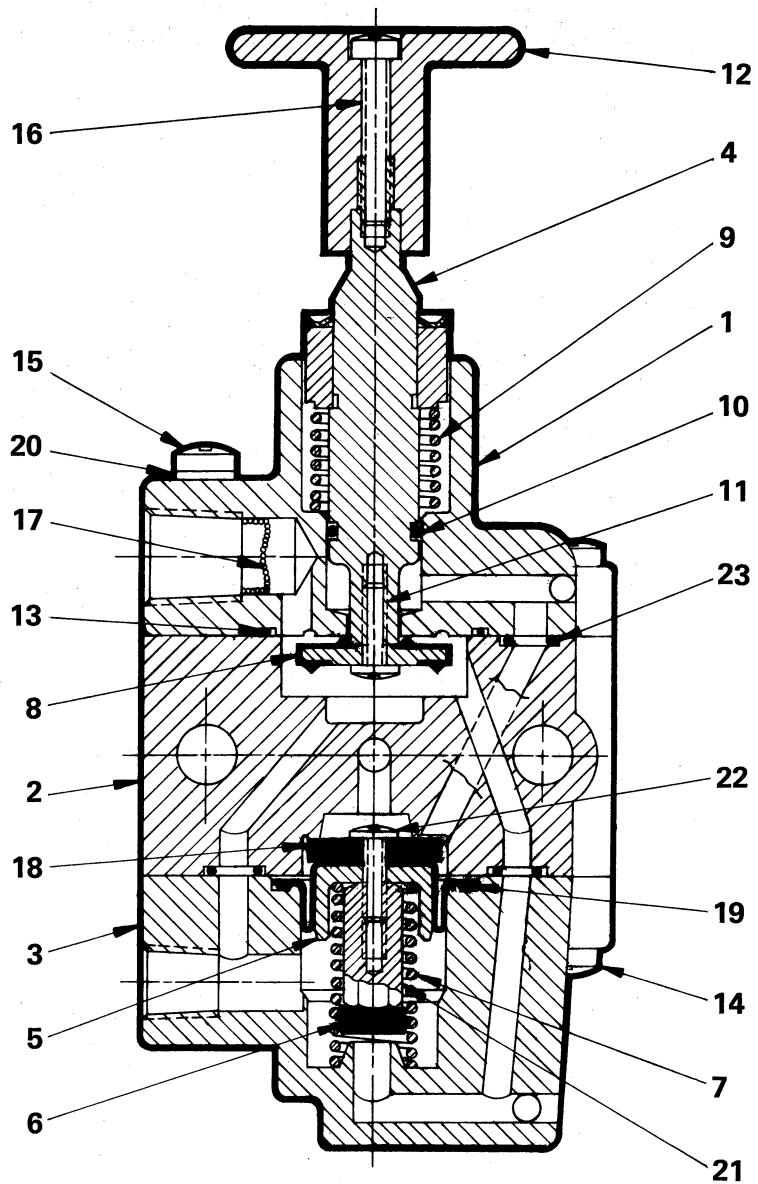


## I.S.O. SYMBOL



PARTS IDENTIFICATION		
ITEM	DESCRIPTION	QTY.
1	STEM BODY	1
2	CENTER BODY	1
3	END BODY	1
* 4	STEM ASSEMBLY	1
* 5	DIAPHRAGM PISTON	1
* 6	POPPET	1
7	SPRING	1
* 8	POPPET	1
9	SPRING	1
* 10	O-RING	1
11	SCREW	1
12	BUTTON	1
* 13	O-RING	1
14	SCREW	3
15	SCREW	1
16	SCREW	1
17	SCREEN	1
* 18	POPPET	1
* 19	DIAPHRAGM	1
20	LOCKWASHER	1
* 21	SPACER	1
* 22	SCREW	1
* 23	O-RING	3

Service this unit with repair kit number 100160.  
\*Asterisk designates parts included in repair kit.



**SPECIFICATIONS**

PORT SIZES: Outlet . . . . . 1/4-18 NPTF  
 Exhaust . . . . . 1/8-27 NPTF  
 MAXIMUM OPERATING PRESSURE. . . . . 150 PSI (1034,2 kPa)  
 OPERATING TEMPERATURE\* . . . . -20°F to 200°F (-28,9°C to 93,3°C)  
 FLOW RATING:  
 Supply-to-Outlet . . 15 SCFM @ 100 PSI (0,4 m<sup>3</sup>/min @ 690 kPa)  
 Outlet-to-Exhaust. . 25 SCFM @ 100 PSI (0,7 m<sup>3</sup>/min @ 690 kPa)  
 AUTO. APPLICATION PRES. . . . . 35-45 PSI (241,3-310,3 kPa)  
 MOUNTING ATTITUDE . . . . . Optional  
 MATERIALS: Valve Body Castings . . . . . Aluminum  
 Diaphragm. . . . . Fabric-Reinforced Buna N  
 O-Rings and Seals. . . . . Buna N  
 NET WEIGHT. . . . . 12.5 oz. (0,4 kg)

\*For continuous operation beyond this range, contact factory.

TO ORDER, SPECIFY		
<b>WM498J&amp;S</b> _____		
Model Number		Suffix
PART NUMBER _____		
SELECT SUFFIX & PART NUMBER BELOW		
SUFFIX	PART NUMBER	DESCRIPTION
WM498 J	106839	NON-OVERRIDE VALVE (Series-Mounting)
WM498 S	106840	NON-OVERRIDE VALVE (End-Mounting)