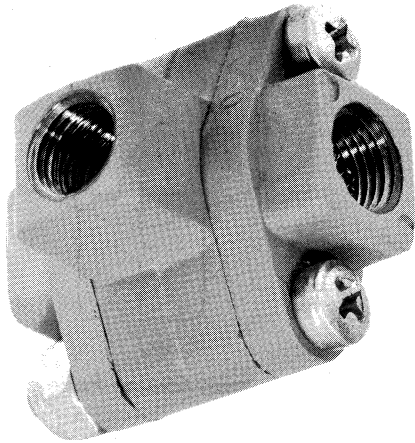
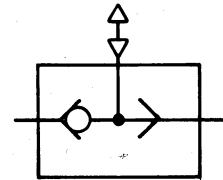


**WM412A  
1/8 INCH  
SHUTTLE VALVE**

**34 SCFM @ 100 PSI**

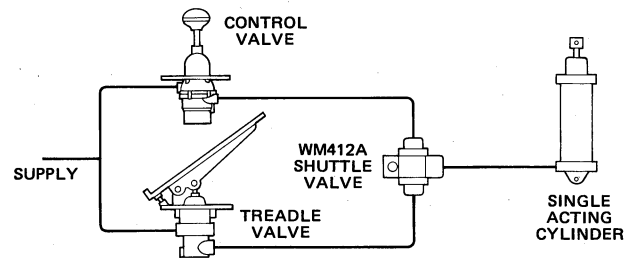


**I.S.O. SYMBOL**



**DESCRIPTION**

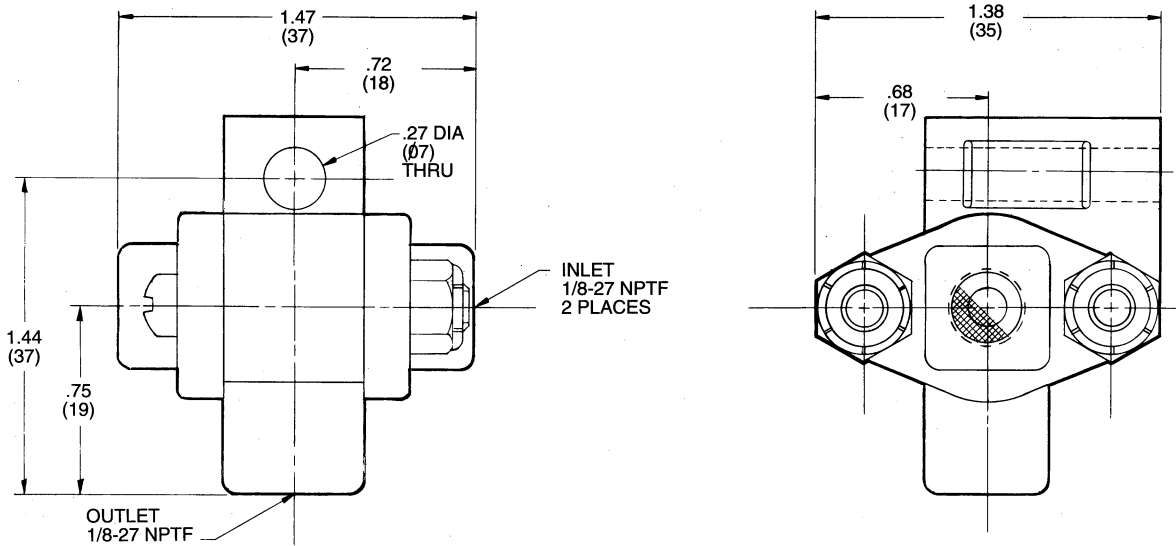
The WM412A is a bracket-mounted shuttle valve with a 34 SCFM flow capacity. It functions as a double check valve, allowing two pressure sources to independently supply a single outlet. The WM412A is equipped with an elastomer shuttle which moves freely back and forth in an internal chamber connecting the valve's two inlet ports. As long as there is a pressure differential between the two inlets, the shuttle seals off the one with the lesser supply pressure. This allows air flow and backflow between the inlet with the greater supply pressure and the outlet, but prevents air from flowing between the valve's two inlet ports.



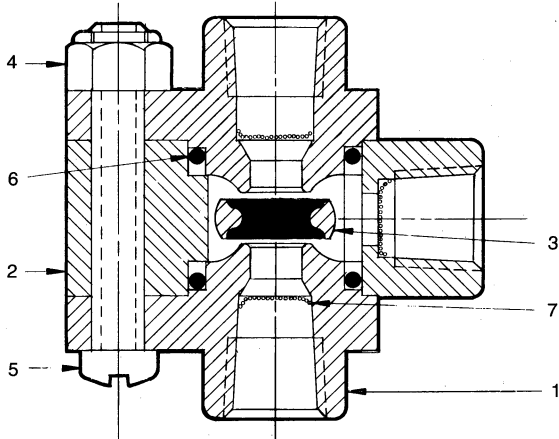
**SPECIFICATIONS**

PORT SIZE.....	1/8-27 NPTF
MAXIMUM OPERATING PRESSURE.....	150 PSI (1034 kPa)
FLOW RATING.....	34 SCFM @ 100 PSI (1 m <sup>3</sup> /min @ 690 kPa)
OPERATING TEMPERATURE.....	-20°F to 200°F (-29°C to 93°C)
MOUNTING.....	Bracket
MOUNTING ATTITUDE.....	Optional
MATERIALS: Body Castings.....	Die Cast Zinc Alloy
Shuttle.....	Buna N
O-Rings.....	Buna N
WEIGHT.....	4 oz. (1,0 kg)

## DIMENSIONAL DATA



## SECTIONAL VIEW



ITEM	DESCRIPTION	PART NUMBER	QTY.
1	End Cap	102923	2
2	Bracket Body	102924	1
3	Poppet	102925	1
4	Nut	114564	2
5	Screw	114707	2
6	O-Ring	116345	2
7	Screen	116455	3

## ORDERING INFORMATION

TO ORDER, SPECIFY **WM412A**  
PART NUMBER 112841

## WILLIAMS CONTROLS, INC.

14100 SW 72ND AVENUE, PORTLAND, OREGON 97224  
TEL: (503) 684-8600, TELECOPIER: (503) 684-8610