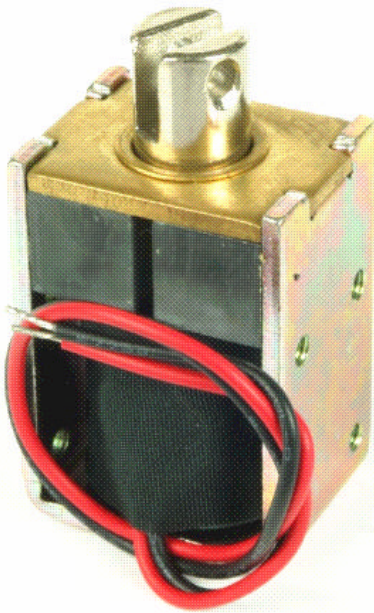
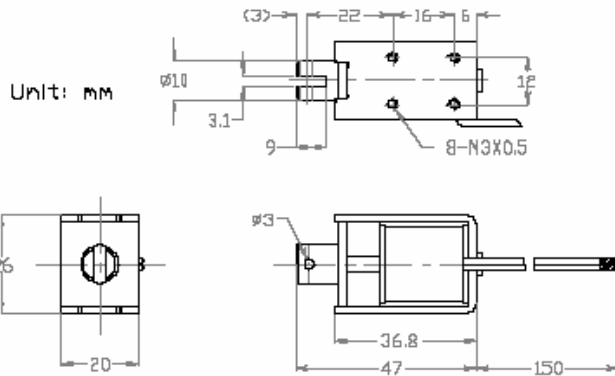


Permanent Magnet

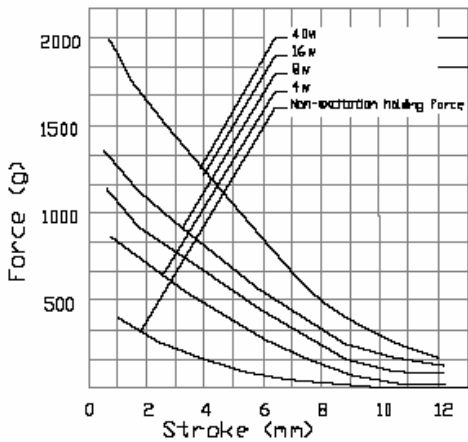
GK1037



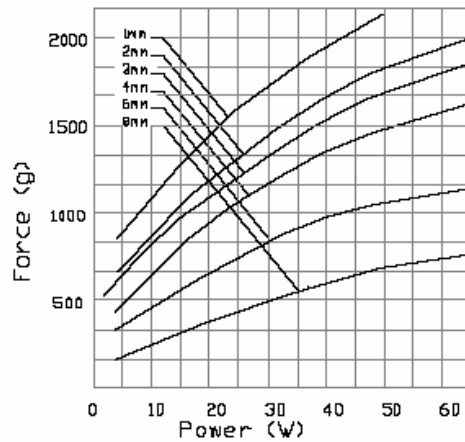
- Pull Type
- Thrust Type
- Flying Leads
- Terminals
- Zinc Plated Frame
- Nickel Plated Plunger
- Customised Plunger Ends
- Customised Fixings
- Optional Voltages



Stroke and Force



Power and Force



Non-excitation holding force: 1800g
Standard Coil Specifications

Cont. rating (at 20°C): 4w

Voltage(VDC)	Resistance(Ω)	Current(A)
6	9	667
12	36	333
24	143.7	167
48	578.3	83

Total weight : 95g
Plunger weight : 18g