

# Williams Controls Electronic Suspended Pedal WM-554

The Electronic Suspended Pedal WM-554 designed for commercial and industrial vehicle applications.

The unit is equipped with a Hall Effect non-contact sensor that can be programmed for analog output. The electronics are IP67 sealed and highly EMI resistant (SAE J1113).

The Electronic Suspended Pedal WM-554 is available with a nominal 19.5 degree angular rotation. The Throttle Control has a engineered plastic body and lever arm. The mounting bracket is made out of coated steel.

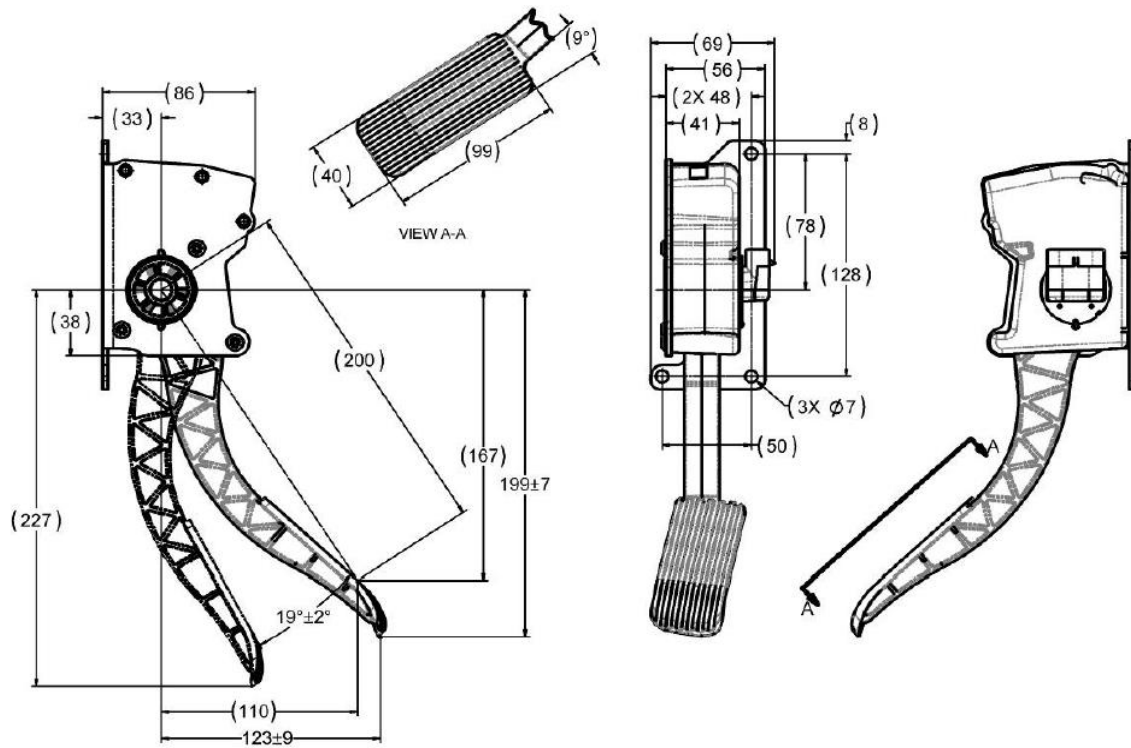
Both lever arm and bracket can be customized to optimize driver ergonomics.



## SPECIFICATIONS

<b>PRODUCT LIFE</b>	Full Travel Cycles	3,000,000
<b>ELECTRONICS</b>	Seal Integrity EMI	Electronics IP67 sealed (IEC 60529) SAE J1113 Compliant
<b>ELECTRICAL</b>	Output Signal	Dual APS
<b>PEDAL ANGLE</b>	Degrees	19° Angular Rotation
<b>MECHANICAL</b>	Operating Force (at 200mm from pivot point) Static Load Vibration	Idle= 17N, Full Travel = 35N 667N @ 200mm Random broadband up to 4g (3-axis, 3 hr. each axis.)
<b>ENVIRONMENTAL</b>	Operating Temp Range Storage Temp Range Humidity Sand/Dust	-40°C to 85°C -40°C to 105°C 95% RH for 120 hours, 27°C to 75°C Tested to SAE J1455
<b>MATERIALS</b>	Base plate Foot treadle Body castings	Corrosion Resistant Plated Steel Composite Plastic Composite Plastic

**MECHANICAL DIMENSIONS (mm)**



**TYPICAL OUTPUT CHARACTERISTICS (Other outputs are available)**

