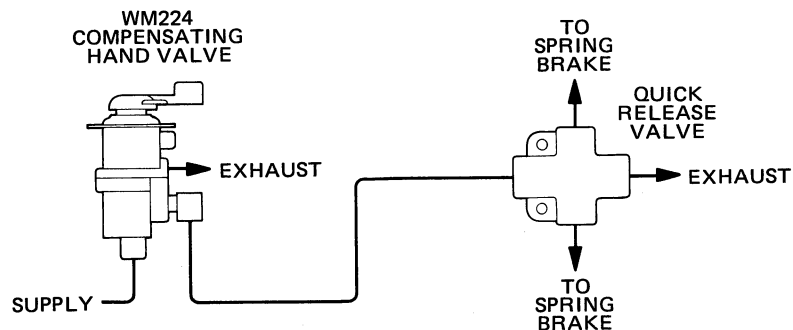
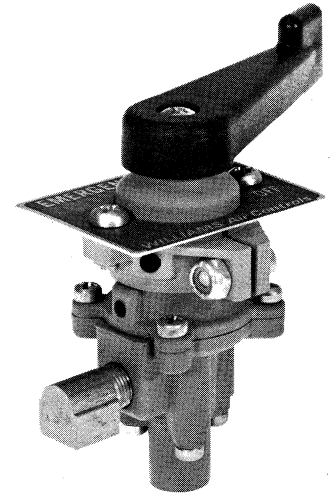
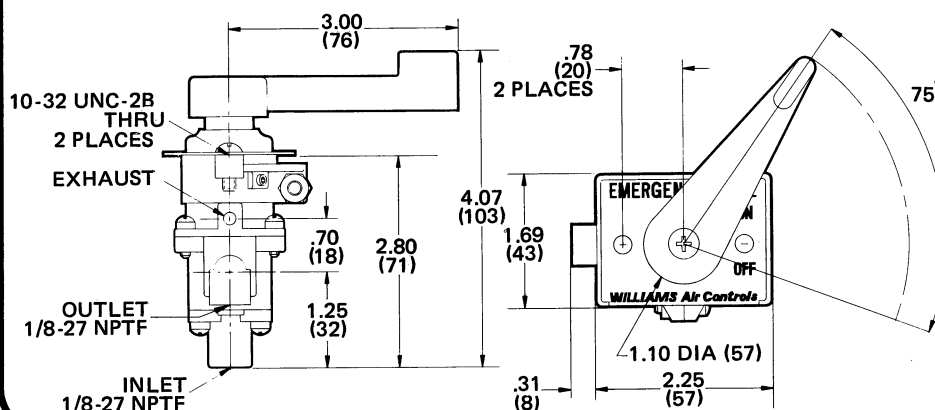
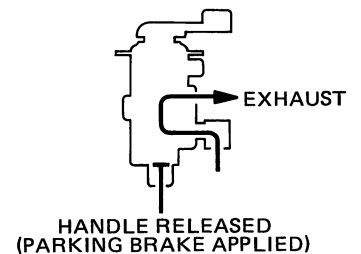
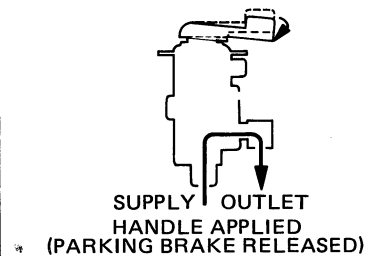
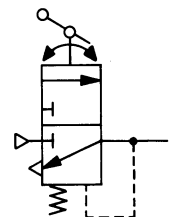


**PRODUCT DESCRIPTION**

**DESCRIPTION** Used in vehicular and industrial applications as a variable pressure regulator, the WM224H valve is a lightweight, compact pressure modulator. The WM224H valve incorporates an escutcheon plate, a bracket for panel mounting, and a three-way compensating hand valve. The operator rotates the valve handle to modulate pressure delivery to the spring brakes. The WM224H valve features an adjustment that limits the maximum output to a preset value within the 45-120 PSI (310,3/827,4 kPa) range. The valve is shipped from the factory with a preset maximum output of 80/95 PSI (551,6/655,0 kPa).

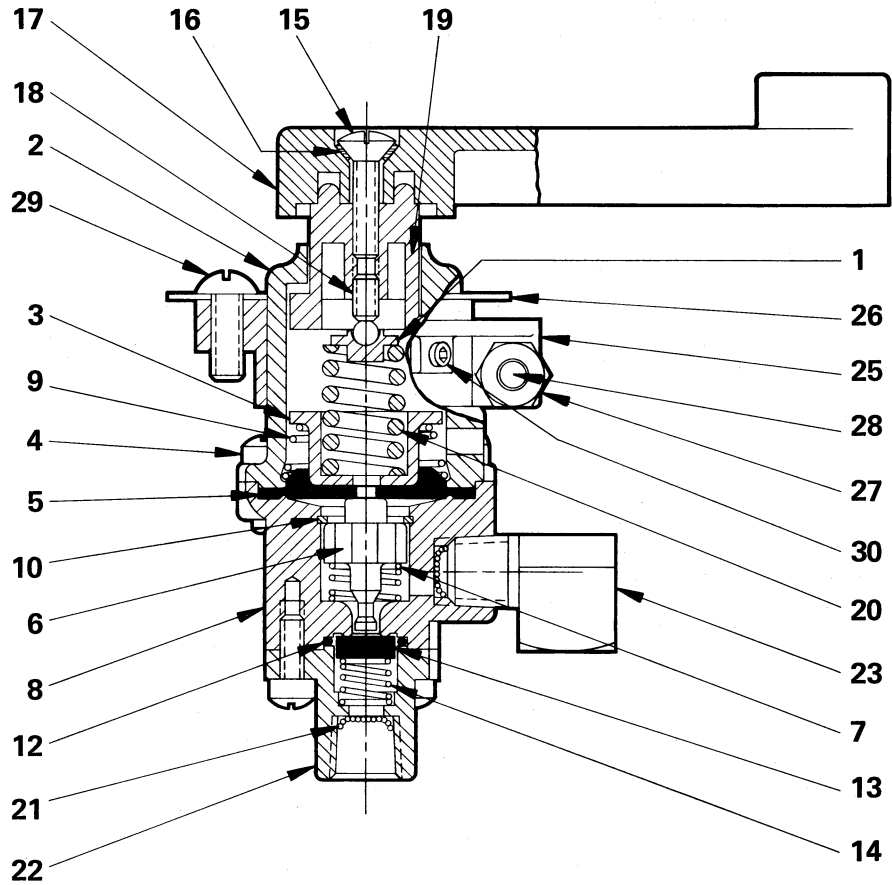
**OPERATION** The handle locks in the ON and OFF positions. **IMPORTANT:** Since this valve is used in parking brake applications, the handle is in the OFF position (as indicated on the escutcheon plate) when the valve is in the delivery mode. When the handle is in this position, the valve modulates pressure delivery to the spring brakes, which are in the released position. To apply the spring brakes, the operator must manually return the handle to the ON position. Then, the valve discharges the outlet pressure through an exhaust vent and the spring brakes are applied.

**APPLICATION** The WM224H hand valve is designed to control the application and release of the spring brakes. With the bracket and fasteners provided, the valve is easily mounted through a 1.25 in. (32 mm) diameter hole in the instrument panel. The escutcheon plate (provided) is designed specifically for parking brake applications and indicates whether the brakes are ON or OFF. The WM224H may be used in other low flow applications, but the removal of the escutcheon plate is recommended. For high flow applications or applications requiring precise control, use a WM606 or WM607 series valve.

**TYPICAL INSTALLATION**

**EXTERNAL CONFIGURATION**

**COMPENSATING  
HAND  
VALVE**
**FUNCTIONAL DIAGRAM**

**I.S.O. SYMBOL**


PARTS IDENTIFICATION		
ITEM	DESCRIPTION	QTY.
1	SPRING BUTTON	1
2	UPPER BODY	1
3	SPRING PLATE	1
4	SCREW	7
* 5	DIAPHRAGM	1
6	STEM	1
7	SPRING	1
8	OUTLET BODY	1
9	SPRING	1
10	RETAINING RING	1
* 12	O-RING (116303)	1
* 13	POPPET	1
14	SPRING	1
15	SCREW (114990)	1
16	LOCKWASHER	1
17	HANDLE (105115)	1
18	SET SCREW	1
19	CAM	1
20	SPRING	1
21	SCREEN (116455)	2
22	INLET BODY	1
23	FITTING	1
25	BRACKET (101822)	1
26	PLATE (103689)	1
27	NUT	1
28	SCREW	1
29	SCREW	2
30	SET SCREW	1

Service this unit with repair kit number 114116. To replace the bracket and fasteners (Items 25, 27, 28 & 30), order part number 118275. Other replaceable items are followed by part numbers.  
\*Asterisk designates parts included in repair kit 114116.



**SPECIFICATIONS**

PORT SIZE . . . . . 1/8-27 NPTF  
 MAXIMUM OPERATING PRESSURE . . . . . 150 PSI (1034,2 kPa)  
 OPERATING TEMPERATURE\* . . -20° F to 200° F (-28,9° C to 93,3° C)  
 FLOW RATING . . . . . 9 SCFM @ 100 PSI (0,2 m<sup>3</sup>/min @ 690 kPa)  
 COMPENSATING RANGE . . . . . 0-100/120 PSI (0-689,5/827,4 kPa)  
 MAXIMUM OUTPUT . . . . . Factory Preset @ 80/95 PSI (551,6/655,0 kPa)  
 MOUNTING . . . . . In 1.25 in. (32 mm) Diameter Hole w/ Fasteners Provided  
 MOUNTING ATTITUDE . . . . . Optional  
 MATERIALS: Body Castings & Bracket . . . . . Die Cast Zinc Alloy  
                   Handle . . . . . Black Polycarbonate Plastic  
                   Diaphragm . . . . . Buna N  
                   Poppet & O-Ring . . . . . Buna N  
 NET WEIGHT . . . . . 13 oz. (0,4 kg)  
 \*For continuous operation beyond this range, contact factory.

TO ORDER, SPECIFY  
**WM224H**  
 Model Number  
**PART NUMBER 111841**