

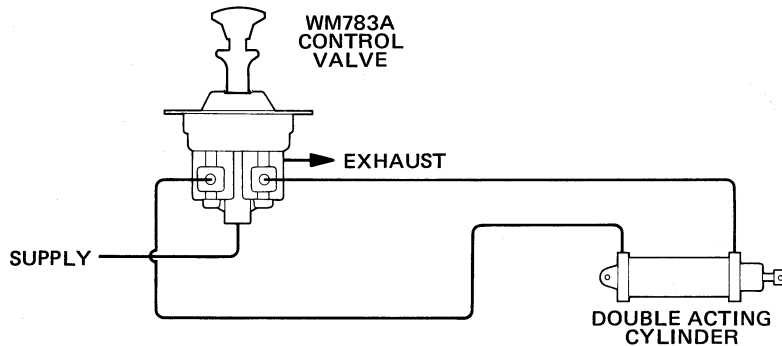
## PRODUCT DESCRIPTION

**DESCRIPTION** The WM783 series is composed of non-compensating four-way control valves with three functional positions. WM783 valves are available with two types of lever operation: WM783A1 models have a detent in each of the valve's lever positions and WM783A models are equipped with a spring-loaded lockout safety device which locks the control lever in each of the three positions to prevent unintentional movement.

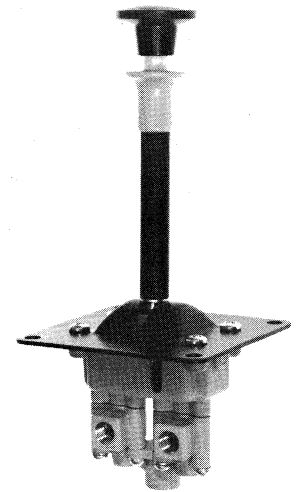
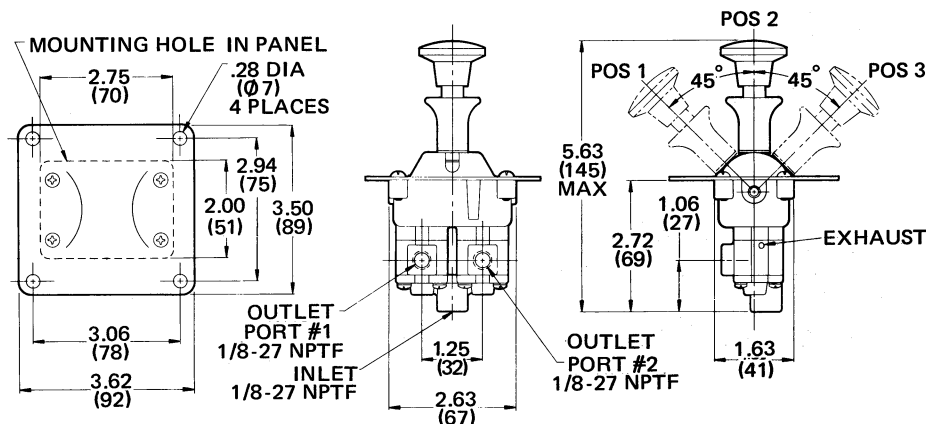
**OPERATION** When the WM783 valve's control lever is in Position 1 (Refer to External Configuration.) outlet port 2 receives supply pressure and outlet 1 is exhausted. Both outlet ports are exhausted in Position 2, which is the neutral or "hold" position, and in Position 3, outlet port 1 receives supply pressure and outlet 2 is exhausted.

**APPLICATION** The WM783A is a versatile control valve with a variety of industrial and vehicular applications. WM783A valves are frequently used to control air operated relay valves, cylinders and power take off systems.

## TYPICAL INSTALLATION

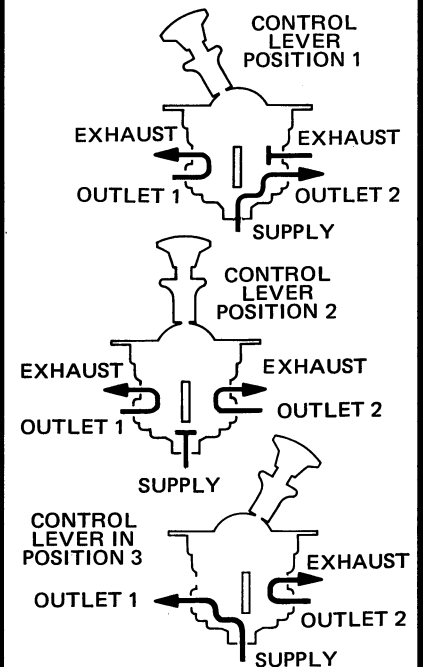


## EXTERNAL CONFIGURATION

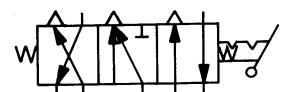


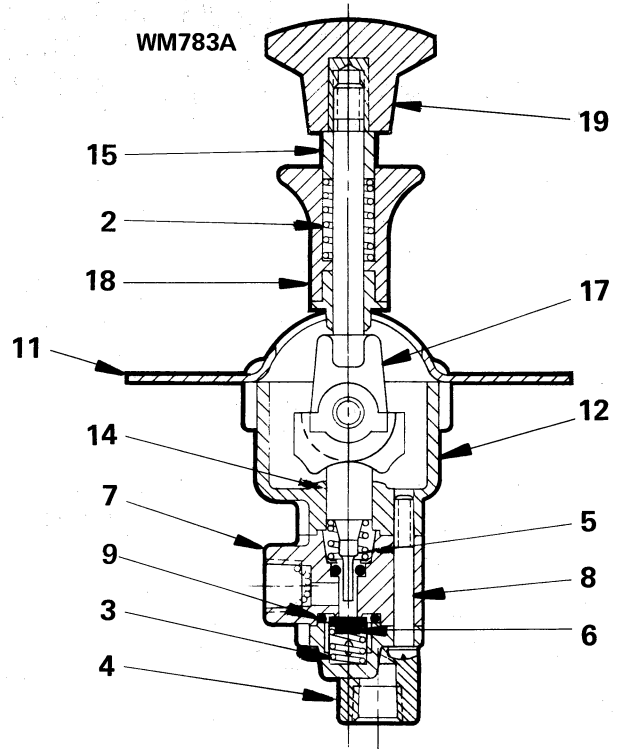
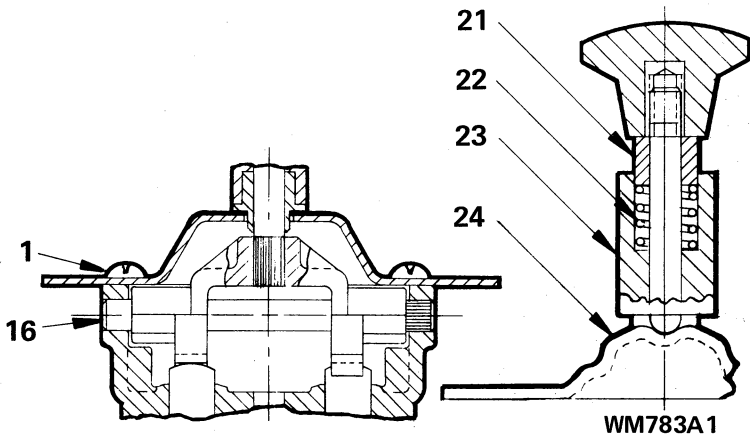
## THREE POSITION FOUR-WAY CONTROL VALVE

## FUNCTIONAL DIAGRAM



## I. S. O. SYMBOL





PARTS IDENTIFICATION			
ITEM	DESCRIPTION	QTY	
		WM783A	WM783A1
1	SCREW (100110)	4	4
2	SPRING (101082)	1	
*3	SPRING	2	2
4	INLET BODY	1	1
*5	SPRING	2	2
*6	POPPET	2	2
*7	BODY ASSY.	2	2
8	SCREW	6	6
*9	O-RING	2	2
11	VALVE COVER (118289)	1	
12	UPPER BODY	1	1
*14	VALVE STEM	2	2
15	HANDLE BUSHING (118295)	1	
16	LEVER PIN	1	1
17	CAM ASSY. (118493)	1	1
18	LATCH ASSY. (118303)	1	
19	KNOB (118305)	1	1
21	HANDLE BUSHING (118718)		1
22	SPRING (101685)		1
23	HANDLE DETENT (118719)		1
24	VALVE COVER (118716)		1
NA	1/8 MALE TO 1/4 FEMALE NPTF 90° ELBOW (FOR OUTLETS)		2
NA	1/8 MALE TO 1/4 FEMALE NPTF ADAPTER (FOR INLET)		1

Service these units with two number 118400 repair kits.  
\*Asterisk designates parts included in repair kit.

**SPECIFICATIONS**

PORT SIZE . . . . . 1/8-27 NPTF  
 (WM783A1 supplied w/1/4-18 NPTF adapters)  
 MAXIMUM OPERATING PRESSURE. . . . . 150 PSI (1034, 2 kPa)  
 OPERATING TEMPERATURE\* . . -20°F to 200°F (-28, 9°C to 93, 3°C)  
 FLOW RATING. .15 SCFM @ 100 PSI (0,4 m<sup>3</sup>/min @ 690 kPa) each side  
 MOUNTING. . . . . Panel Mounted  
 MOUNTING ATTITUDE . . . . . Optional  
 MATERIALS: Body Castings . . . . . Die Cast Zinc Alloy  
 Actuating Cam . . . . . Die Cast Zinc Alloy  
 Poppets. . . . . Buna N  
 O-Rings. . . . . Buna N  
 Actuating Lever Shaft . . . . . Steel  
 Knob . . . . . Black Plastic  
 Safety Lockout (WM783A1 only) . . . Yellow Plastic  
 NET WEIGHT: WM783A. . . . . 1 lb., 1 oz. (0, 5 kg)  
 WM783A1 . . . . . 1 lb., 4 oz. (0, 6 kg)

\*For continuous operation beyond this range, contact factory.

TO ORDER, SPECIFY				
<b>WM783A</b> _____				
Model Number                      Suffix				
PART NUMBER _____				
SELECT SUFFIX & PART NUMBER BELOW				
SUFFIX	PART NUMBER	LEVER FEATURES	1/8 to 1/4 NPTF FITTINGS	INTERCHANGES WITH WABCO P/N
WM783 A	118317	SAFETY LOCKOUT	NO	2-HA-2L (P62082) 2-HA-A2L (P59336-003)
WM783 A1	118712	THREE DETENTS	YES	2-HA-2 (P59335)