

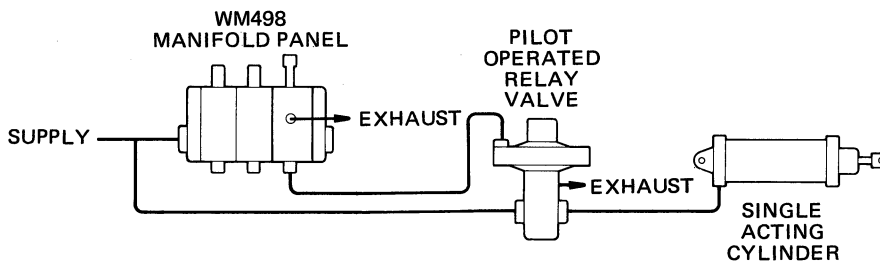
PRODUCT DESCRIPTION

DESCRIPTION The WM498B, C, H, M, and W are components of the WM498 series control panel assemblies. They are gang mounted, shear action valves available with either toggle, rocker, or push button actuators. The toggle and rocker actuated units are two-position, manually operated, three-way valves. The push button version is a spring returned, normally closed, three-way valve. Retained by the tie rods and locknuts supplied in the assembly kits, these valves are mounted in manifold assemblies.

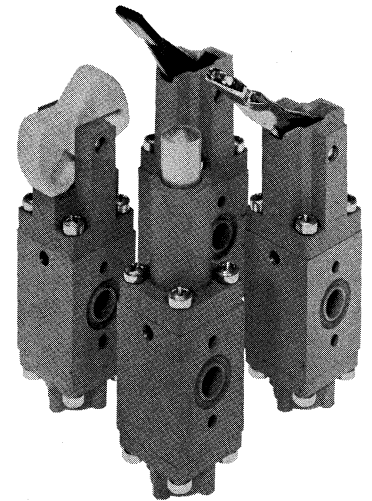
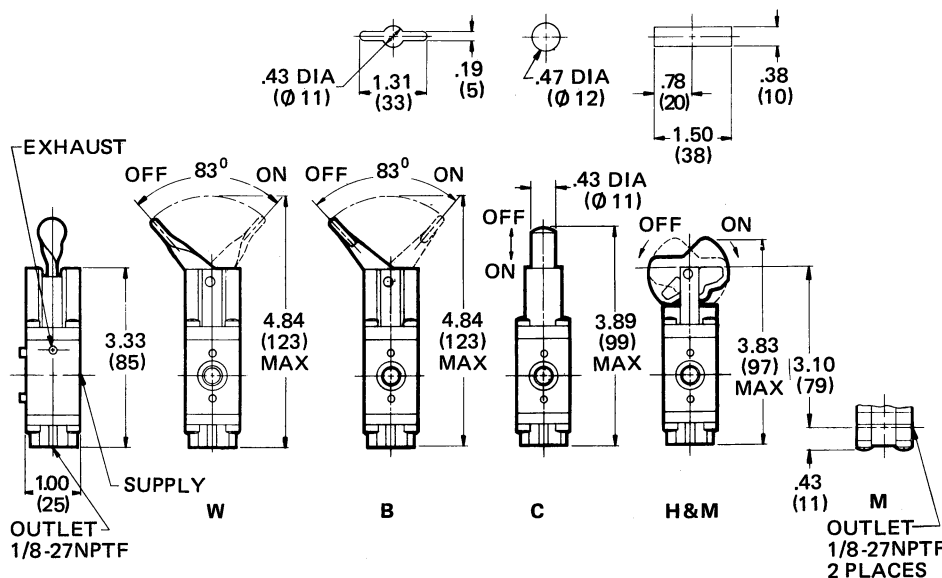
OPERATION The operation of these valves depends on two internal working parts. These are the poppet, which opens or closes the exhaust port, and the stem, which opens or closes the supply port. Flipping the toggle or rocker to the "on" position or depressing the push button causes the poppet to seat on the stem. This closes the exhaust port and moves the stem downward to open the supply port. When the toggle or rocker is flipped to the "off" position or the push button is released, the stem is returned by an internal spring to close the supply port. At the same time, the poppet is lifted off the stem and spring-returned, which opens the exhaust port.

APPLICATION The WM498B, C, H, M, and W are universal application valves designed for controlling small air cylinders, relay valves, or air-operated accessories in industrial or vehicular pneumatic systems.

TYPICAL INSTALLATION

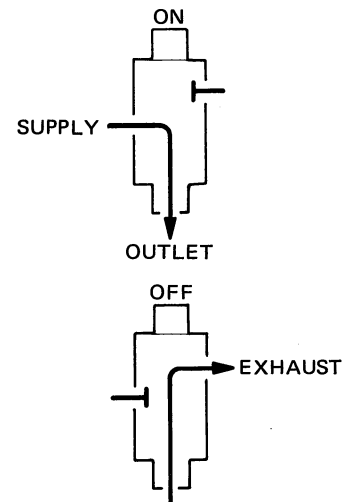


EXTERNAL CONFIGURATION

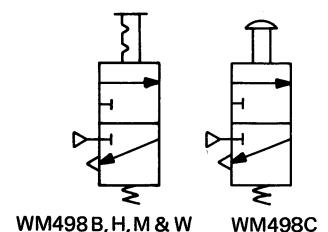


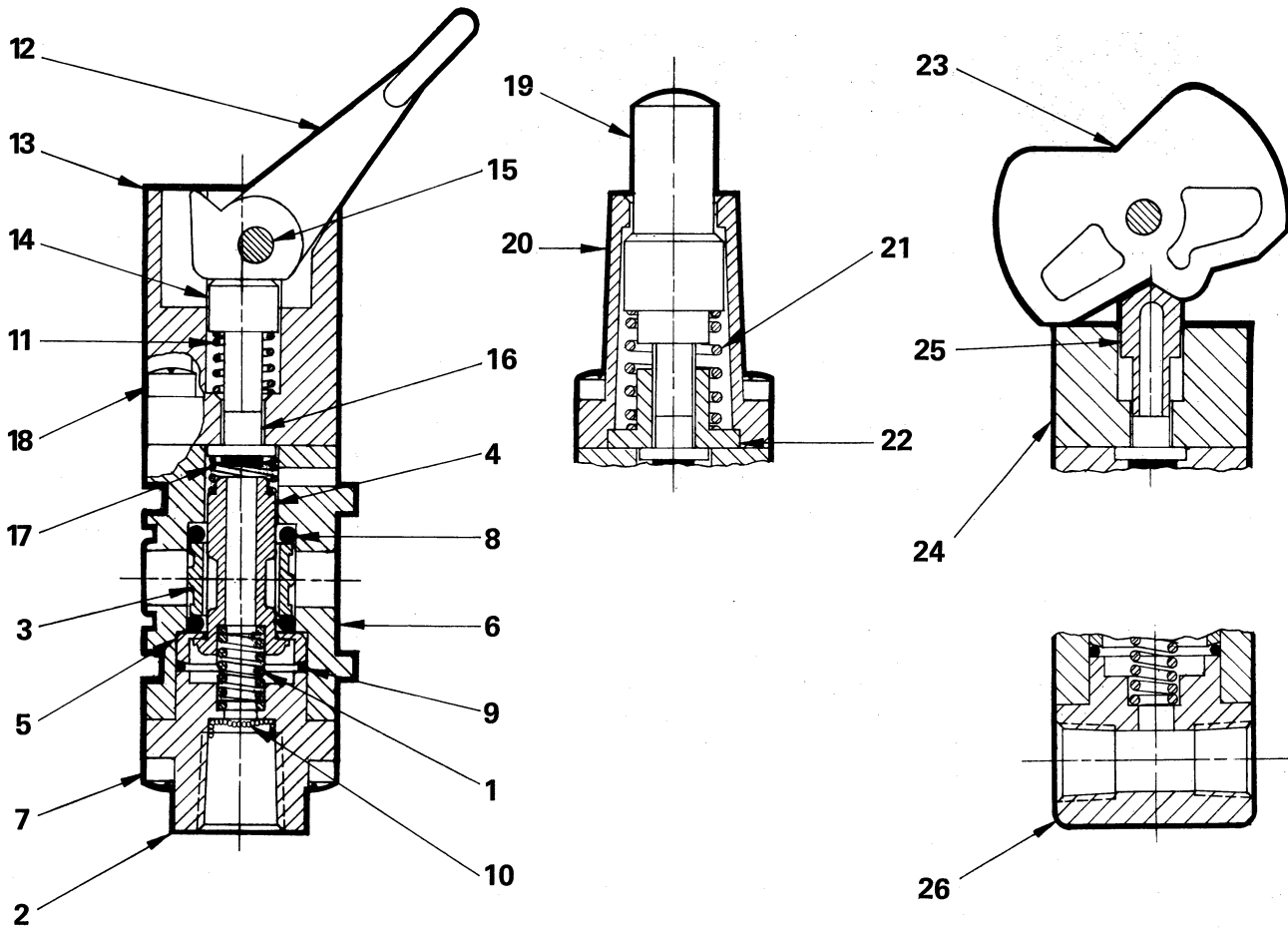
THREE-WAY ACCESSORY VALVE

FUNCTIONAL DIAGRAM



I.S.O. SYMBOL





SPECIFICATIONS

PORT SIZE 1/8-27 NPTF
 MAXIMUM OPERATING PRESSURE. 150 PSI (1034,2 kPa)
 OPERATING TEMPERATURE* . . . -20°F to 200°F (-28,9°C to 93,3°C)
 FLOW RATING. 15 SCFM @ 100 PSI (0,4 m³/min @ 690 kPa)
 MOUNTING. . . Between Two Components in Control Panel Assembly
 MOUNTING ATTITUDE Optional
 MATERIALS: Body Die Cast Aluminum Alloy
 O-Rings and Poppet. Buna N
 NET WEIGHT.5.5 oz. (0,2 kg)
 *For continuous operation beyond this range, contact factory.

PARTS IDENTIFICATION		
ITEM	DESCRIPTION	QTY.
1	SPRING	1
2	OUTLET BODY	1
3	SPOOL	1
* 4	STEM	1
* 5	SEAL RETAINER	1
6	MAIN BODY	1
* 7	SCREW	4
* 8	O-RING	2
* 9	O-RING	1
10	SCREEN	1
11	SPRING	1
12	LEVER (WM498B & W)	1
13	UPPER BODY	1
14	PUSH ROD	1
15	PIN	1
* 16	POPPET	1
* 17	EXHAUST SPRING	1
18	SCREW	4
19	PUSH BUTTON (WM498C)	1
20	UPPER BODY	1
21	SPRING	1
22	POPPET GUIDE	1
23	ROCKER (WM498H & M)	1
24	UPPER BODY	1
25	PUSH ROD	1
26	OUTLET BODY (WM498M)	1

Service this unit with repair kit number 100980.
 *Asterisk designates parts included in repair kit.

TO ORDER, SPECIFY		
WM498 _____		
Model Number Suffix		
PART NUMBER _____		
SELECT SUFFIX & PART NUMBER BELOW		
SUFFIX	PART NUMBER	DESCRIPTION
WM498 B	104474	TOGGLE VALVE (Plastic Lever)
WM498 C	104475	PUSH BUTTON VALVE
WM498 H	104621	ROCKER VALVE (Single Outlet)
WM498 M	105142	ROCKER VALVE (Dual Outlet)
WM498 W	117683	TOGGLE VALVE (Steel Lever)