

- Slam-shut/lock when closed
- Spring to lock, energise to unlock
- Typical 12V or 24V operation
- 100% rated coil
- 10mm bolt stroke
- Endurance tested to 2,500,000 cycles
- Withstands shear loads in excess of 450Kgf
- Mount in any attitude
- Coil with insulation to Class F
- Maintenance free
- Corrosion resistant
- Compact construction with captive strike bolt



## APPLICATIONS

Cash & Valuables In Transit (CVIT)

---

Access controls

---

Shutters

---

Interlocks

---

Machine tools

---

## OPTIONS

Alternative bolt ends

---

Alternative bolt lengths

---

Custom voltage & duty ratings

---

Alternative mounting arrangements

---

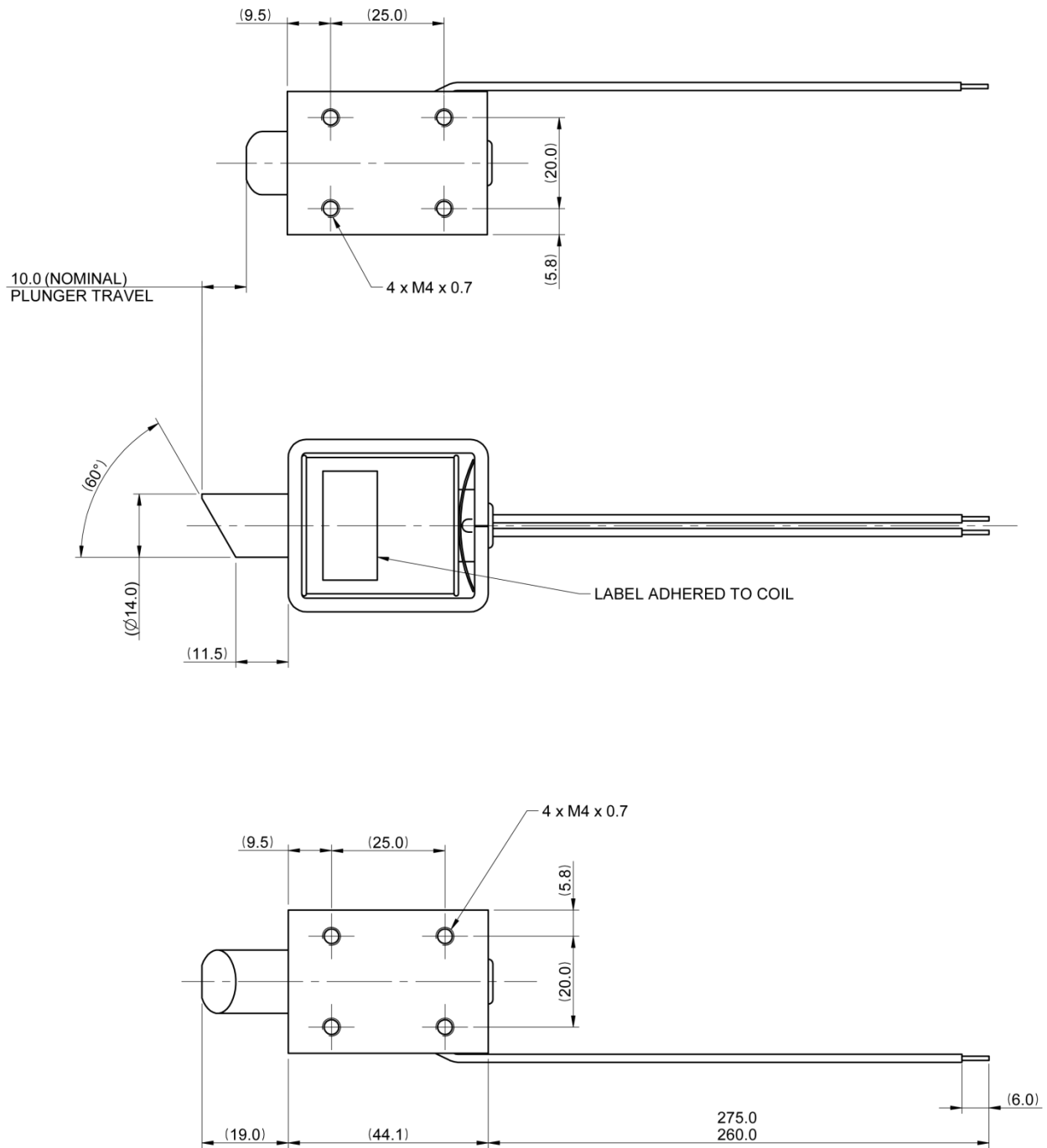
Alternative external finishes

---

Alternative electrical connections  
(flying leads or connector)

---

## MECHANICAL DIMENSIONS (mm)



© 2014 Curtiss-Wright. All rights reserved. Specifications are subject to change without notice.  
All trademarks are property of their respective owners.

SD135AF-11/17

**CURTISS-  
WRIGHT**

**USA**  
Brea  
California  
T: +1.714.982.1860  
[cwig.us@curtisswright.com](mailto:cwig.us@curtisswright.com)  
[www.cw-industrialgroup.com](http://www.cw-industrialgroup.com)

**Europe**  
Christchurch  
United Kingdom  
T: +44.1202.034000  
[cwig.uk@curtisswright.com](mailto:cwig.uk@curtisswright.com)  
[www.cw-industrialgroup.com](http://www.cw-industrialgroup.com)

**Asia**  
Shanghai  
China  
T: +86.213.3310670  
[cwig.cn@curtisswright.com](mailto:cwig.cn@curtisswright.com)  
[www.cw-industrialgroup.com](http://www.cw-industrialgroup.com)