

Penny+Giles

A Curtiss-Wright Company

Penny+Giles RF15 series rotary faders are specifically designed to meet the demanding requirements of professional applications.

These rugged rotary potentiometers are manufactured to the highest standards of quality and reliability, offering high accuracy and smooth operation through the use of conductive plastic tracks and precision bearings. Log or linear electrical tapers are available.



- available in up to eight channels
- 320° angle of rotation
- 3/8in - 32 UNEF panel mounting
- log and linear output

www.pennyandgiles.com

RF15 SERIES

ROTARY FADER

**CURTISS
WRIGHT** Controls
Integrated Sensing

RF15 rotary fader



SELECT THE FADER OPTIONS YOU REQUIRE

Output channels	One ¹	Two ²	Three ³	Four ⁴	Six ⁶	Eight ⁸
Resistance $\pm 20\%$	1k Ω ^B	5k Ω ^C	10k Ω ^D			
Output law	Log audio taper ^A		Linear ^L			

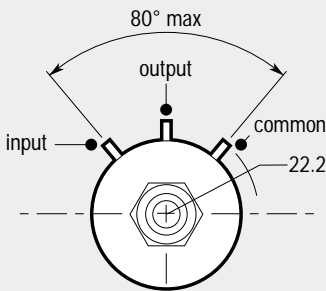
Safety warning

50Vdc maximum voltage

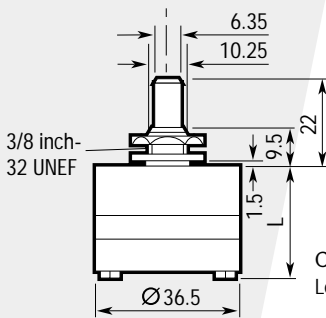
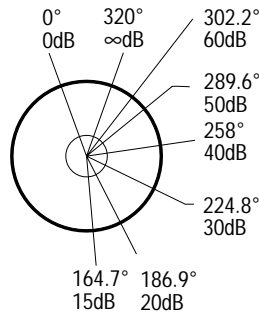
The RF15 is designed for operation at voltages not exceeding 50Vdc

DIMENSIONS

All dimensions shown in mm



Audio law angular position for given output - viewed on shaft



Channels	1	2	3	4	6	8
Length L	26.5	32	37.5	43	54	65

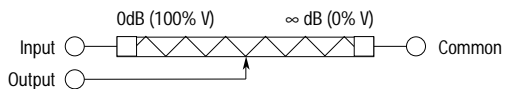
OUTPUT LAW CHARACTERISTICS

Maximum insertion loss 0.5dB. Insulation resistance 20M Ω at 50Vdc

Taper	Accuracy	Matching accuracy (relative to track 1)	Cut off/maximum end volts
Log audio	± 2.0 dB (0-60dB)	± 1.0 dB (0-60dB)	90dB
Linear	$\pm 1\%$	$\pm 1\%$	0.1%

Test conditions • wiper load 100k Ω log only • element resistance 10k Ω • frequency for cut-off 15kHz • frequency for law accuracy 1kHz.

CIRCUIT DIAGRAMS/TERMINATIONS



TO ORDER OR OBTAIN A QUOTATION PLEASE CONTACT YOUR NEAREST SALES OFFICE AND ADVISE:

The series number and description, number of channels, resistance, output law.

For example: • RF15 rotary fader • 2 channels • 10k Ω resistance • log audio taper Penny+Giles would code this fader as:

Fader type	series	channels	resistance	law
	RF15	/ 2	/ D	/ A

Quality Approvals



Penny+Giles are accredited to BS EN ISO 9001:2008 Quality is at the heart of all our systems ensuring the reliability of our products from initial design to final despatch.

Certificate No. LRQ 0924881

Penny+Giles Controls Ltd
36 Nine Mile Point Industrial Estate
Cwmfelinfach
Gwent NP11 7HZ
United Kingdom
+44 (0) 1495 202000
+44 (0) 1495 202006 Fax
sales@pennyandgiles.com

Penny+Giles (USA)
665 North Baldwin Park Boulevard
City of Industry, CA 91746
USA
+1 626 480 2150
+1 626 369 6318 Fax
us.sales@pennyandgiles.com



EMC Directive 2004/108/EEC

The products detailed in this document are supplied as components for installation into an electrical apparatus or system. They are outside the scope of the EEC directive and will not be CE marked.

Penny+Giles (Germany)
Straussenlettenstr. 7b
85053 Ingolstadt,
Germany
+49 (0) 841 885567-0
+49 (0) 841 885567-67 Fax
info@penny-giles.de

Penny+Giles (China)
3-1-A, Xiandai Square,
No 333 Xingpu Rd,
Suzhou Industrial Park, 215126
China
+86 512 6287 3380
+86 512 6287 3390 Fax
sales@pennyandgiles.com.cn