

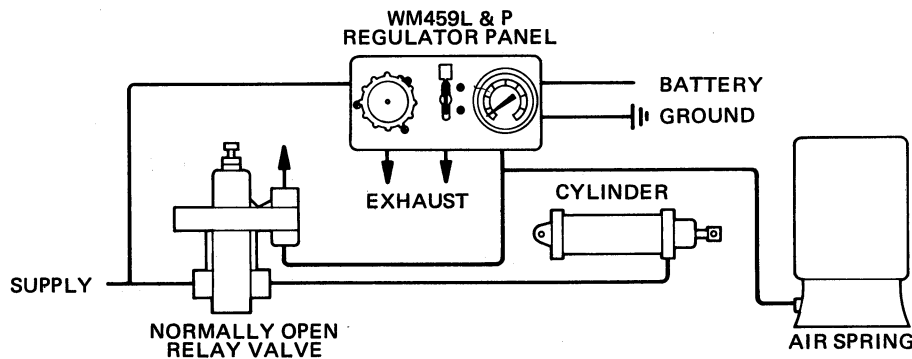
PRODUCT DESCRIPTION

DESCRIPTION The WM459 series regulator panels are complete preplumbed units designed for easy installation in industrial and vehicular applications. Each panel is comprised of an illuminated gage, a WM219C3 toggle valve and a self-relieving, knob-actuated WM279 series pressure regulator. The WM459 series panels are available with different adjustable output ranges depending on the WM279 series regulator used in the assembly.

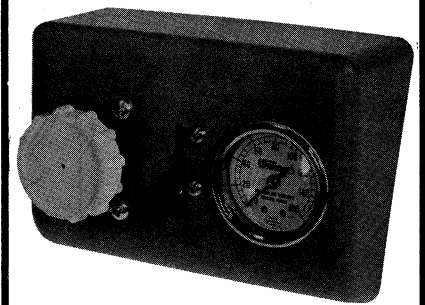
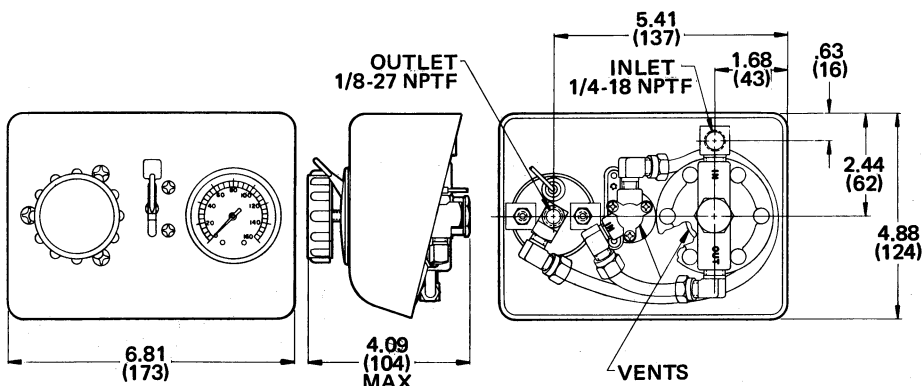
OPERATION The operator regulates pressure delivery with two manual controls—a large knob and a toggle switch. The knob controls the WM279 series regulator output, which is plumbed to the inlet port of the toggle valve. The operator flips the toggle to open this valve and allow delivery. The gage registers the pressure delivered, and by turning the knob, the operator may adjust the output level as necessary. If the operator backs out the knob to decrease the output, the regulator releases the excess pressure through an exhaust vent. The toggle valve also exhausts outlet pressure through a vent when the operator flips the switch to the OFF position.

APPLICATION Engineered for industrial and vehicular applications, the WM459 series panels are typically used in the axle-lift installation shown below. In this type of application, the regulator panel provides a convenient means of manually controlling the air spring and the axle-lift cylinder. The WM459 panels are easily mounted in the dash of the operator's compartment; the customer may drill holes in the panel to the desired mounting configurations. To ground the gage lamp, each unit is supplied with an electrical connector and an extra hex nut.

TYPICAL INSTALLATION

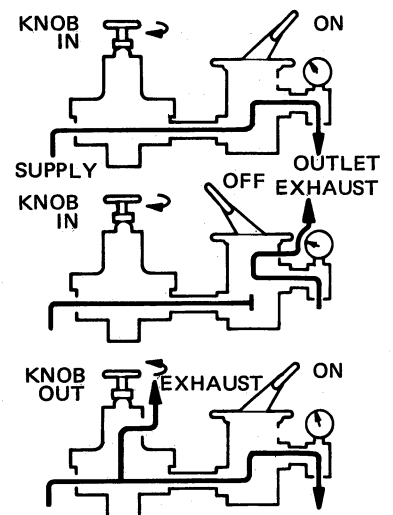


EXTERNAL CONFIGURATION

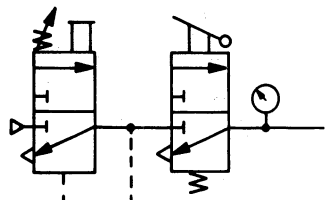


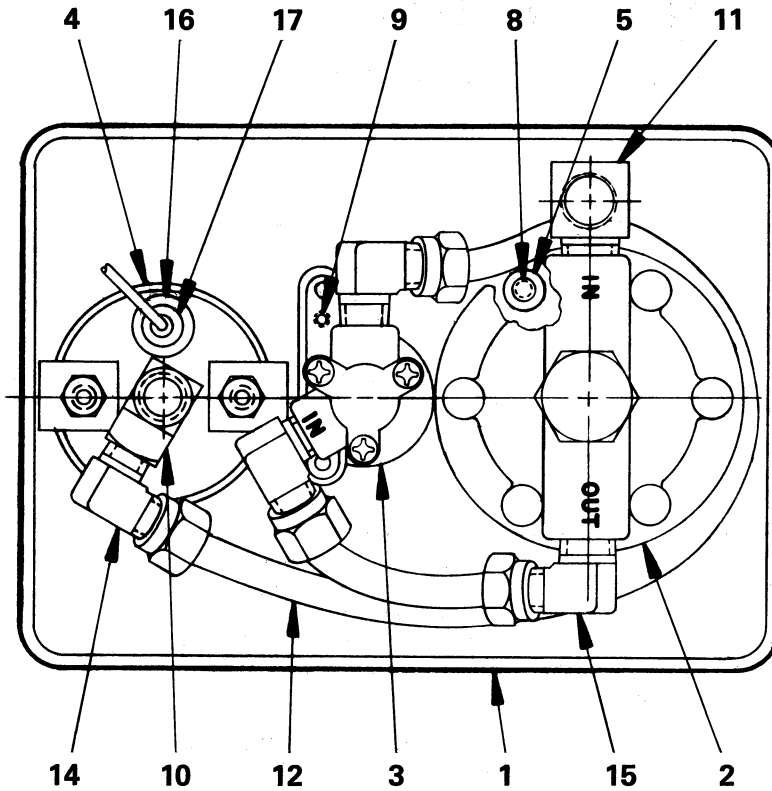
REGULATOR PANEL

FUNCTIONAL DIAGRAM



I.S.O. SYMBOL





SPECIFICATIONS

PORT SIZES (Excluding Preplumbed Ports):

Inlet 1/4-18 NPTF
 Outlet 1/8-27 NPTF

MAXIMUM OPERATING PRESSURE 150 PSI (1034,2 kPa)

OPERATING TEMPERATURE* . . . -20°F to 200°F (-28,9°C to 93,3°C)

FLOW RATING 15 SCFM @ 100 PSI (0,4 m³/min @ 690 kPa)

GAGE SCALE 160 PSI

LAMP VOLTAGE 12 VDC

MOUNTING. Panel Secured to Console or Bracket

MOUNTING ATTITUDE Optional

MATERIALS: Valve Bodies Die Cast Zinc Alloy

Diaphragm Fabric-Reinforced Buna N

Panel Gray ABS Plastic

Knob White ABS Plastic

Hose Extruded Nylon

NET WEIGHT. 2 lbs. 6 oz. (1,1 kg)

*For continuous operation beyond this range, contact factory.

PARTS IDENTIFICATION		
ITEM	DESCRIPTION	QTY.
1	PANEL (104738)	1
2	WM279 REGULATOR	1
3	WM219C3 TOGGLE VALVE	1
4	GAGE	1
5	SPACER (101202)	3
8	SCREW (114684)	3
9	SCREW	2
10	FITTING (115190)	1
11	FITTING	1
12	HOSE	1
14	FITTING	1
15	FITTING	1
16	SOCKET	1
17	LAMP	1
NA	NUT	1
NA	ELEC. CONNECTOR	1

Service this unit with repair kit number 114399. Repair kit includes parts to service the WM279 series regulator and WM219C3 toggle valve. To replace only the WM279 series regulator, order the appropriate replacement unit as listed in the ordering information block. To replace only the WM219C3 toggle valve, order part number 111816. To replace the gage (Item 4) on the WM459L, order part number 104710; to replace the gage on the WM459P, order part number 104737. Other replaceable parts are followed by part numbers.

TO ORDER, SPECIFY				
WM459 _____				
Model Number			Suffix	
PART NUMBER _____				
SELECT SUFFIX & PART NUMBER BELOW				
SUFFIX	PART NUMBER	ADJUSTABLE OUTPUT RANGE	MAXIMUM OUTPUT	WM279 SERIES REGULATOR
WM459 L	113129	0-80/85 PSI (0-552/586 kPa)	85 PSI (586 kPa)	WM279R (P/N 111949)
WM459 P	113130	0-100/105 PSI (0-699/724 kPa)	105 PSI (724 kPa)	WM279P (P/N 111946)