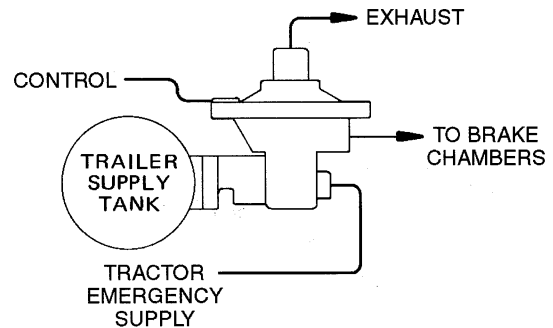


WM101P
Emergency
Relay Valve

400 SCFM @ 100 PSI

DESCRIPTION

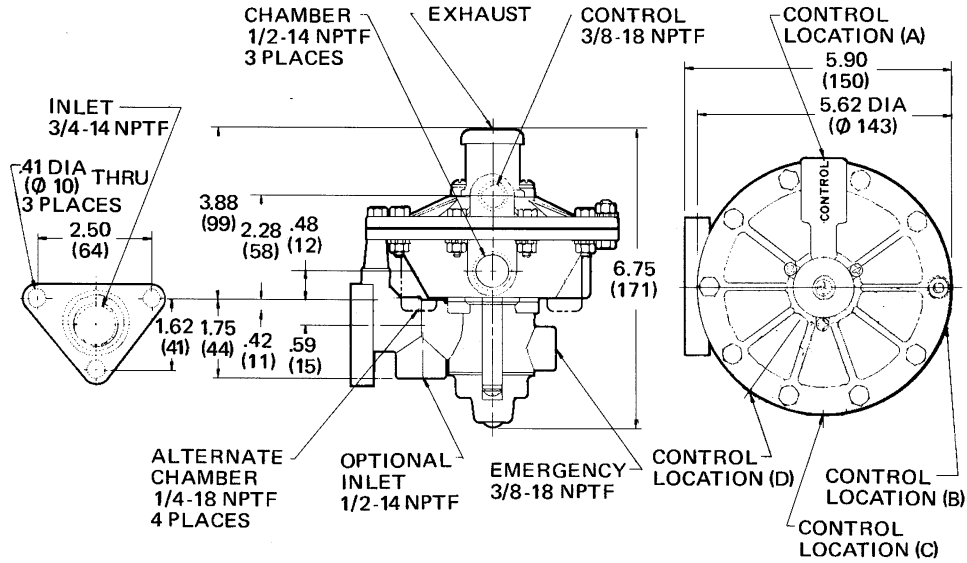
The WM101 valve is a three-way, compensating pilot operated emergency relay valve. Designed mainly for vehicular application, the WM101 valve is used to supply air pressure to the brake chambers during both normal and emergency operating conditions. This valve features diaphragm construction for trouble free operation over a wide range of environmental conditions.



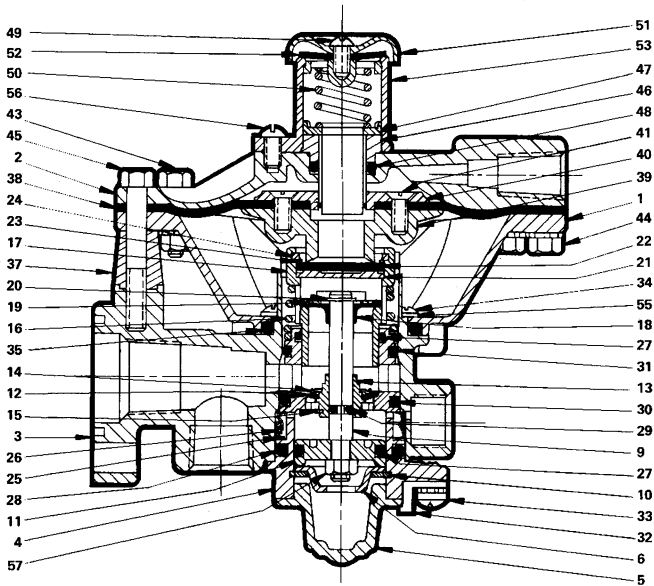
SPECIFICATIONS

Port sizes: Chamber ports.....	1/4-18 NPTF
Control port.....	3/8-18 NPTF
Inlet port.....	1/2-14 NPTF
Optional inlet port.....	3/4-14 NPTF
Emergency port.....	3/8-18 NPTF
Maximum supply pressure	150 PSI (1034 kPa)
Operating temperature	-20°F to 200°F (-29°C to 93°C)
Flow rating.....	400 SCFM @ 100 PSI (11,3 m ³ /min @ 690 kPa)
Cracking pressure	3-4 PSI @ 100 PSI (21-28 kPa @ 690 kPa)
Emergency brake application.....	Below 45 PSI (310 kPa)
Mounting	Bracket secured to frame, bulkhead, bracket or air tank
Mounting attitude	Exhaust check cap up recommended
Materials: Cover	Die cast aluminum alloy
Body castings	Die cast zinc alloy
Poppets & seals.....	Buna N
Diaphragm	Fabric-reinforced Buna N
Weight.....	4 lbs, 13 oz (2,2 kg)

DIMENSIONAL DATA



CROSS SECTION



Item	Description	WM101P	Qty	Item	Description	WM101P	Qty
1	Body	101393	1	*29	O-Ring	116297	1
2	Cover	100130	1	*30	O-Ring	116328	1
3	Bracket	101395	1	*31	O-Ring	116327	1
4	Cartridge Body	101397	1	32	Clamp	103240	2
5	Cover	101399	1	33	Screw	116723	2
6	Piston Stop	101400	1	34	Screw	118445	4
9	Piston Rod	104937	1	*35	O-Ring	116341	1
10	Retaining Ring	116194	1	37	Support Pillar	101427	1
11	Piston	101402	1	*38	Diaphragm	102868	1
*12	Check Disc	101403	1	*39	Lower Plate	101415	1
13	Bushing	101398	1	*40	Diaphragm Plate	101416	1
*14	Retaining Ring	116203	1	*41	Screw	100966	6
15	Retaining Ring	116205	1	43	Screw	114949	9
16	Spring	101404	1	44	Lock Nut	114543	9
17	Inlet Cage	101405	1	45	Screw	114949	1
*18	Poppet	101406	1	46	Seal Retainer	101419	1
19	Washer	101409	1	47	Spring Stop	101420	1
20	Retaining Ring	116180	1	*48	O-Ring	116314	1
14	Exhaust Disc	101407	1	49	Screw	114768	1
*22	Poppet	101408	1	50	Spring	101079	1
23	Washer	115074	1	51	Exhaust Cap	101421	1
24	Retaining Ring	116198	1	*52	Exhaust Check	101422	1
25	Screen	101410	1	53	Spring Retainer	101423	1
26	Ring	101411	1	*55	Washer	116488	4
*27	O-Ring	116320	2	56	Screw	100110	3
*28	O-Ring	116329	1	57	Nut	114538	1

*Item is included in repair kit. Service this unit with repair kit 114112.

This repair kit includes a replacement diaphragm assembly and parts to service the cartridge assembly.

Highlighted parts may be purchased separately.

ORDERING INFORMATION

To order, specify **WM101P**, part number 100361.