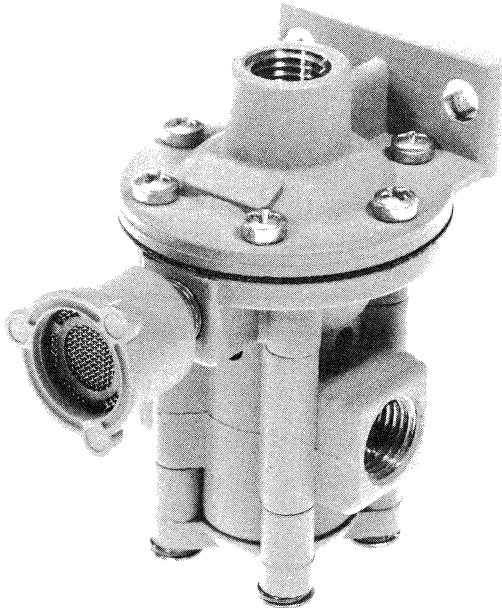
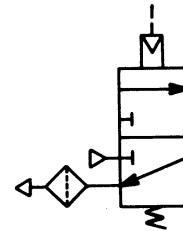


# WM147C NORMALLY CLOSED RELAY VALVE

15-30 PSI  
TO OPEN

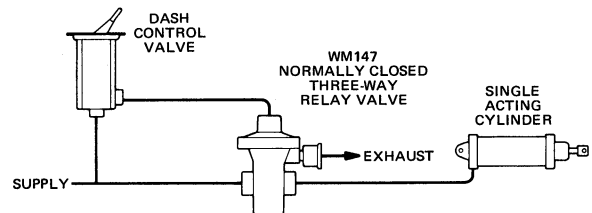


## I.S.O. SYMBOL



## DESCRIPTION

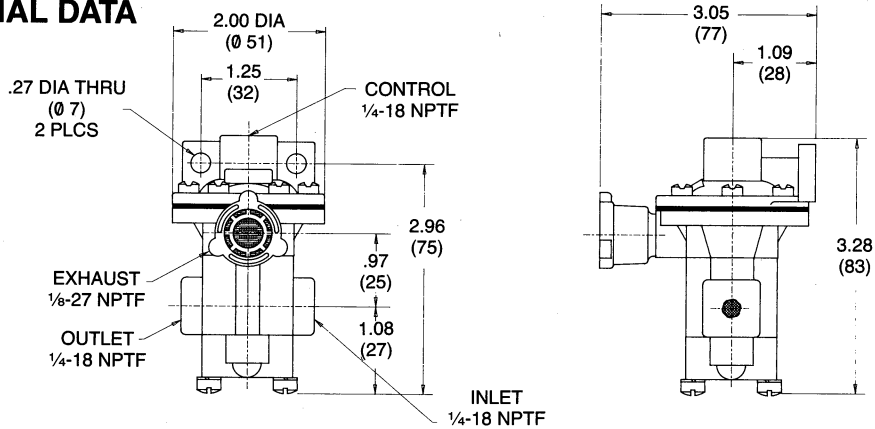
The WM147C is a normally closed 3-way non-compensating relay valve, equipped with a WM111B breather. Pilot control pressure is used to open the normally closed valve. When sufficient control pressure is applied (15-30 PSI, 103-207 kPa), an internal diaphragm expands and unseats the poppet. Air flows from the supply port to the outlet port. The valve will exhaust pressure, when the control pressure drops below the required level, at the outlet through the exhaust breather.



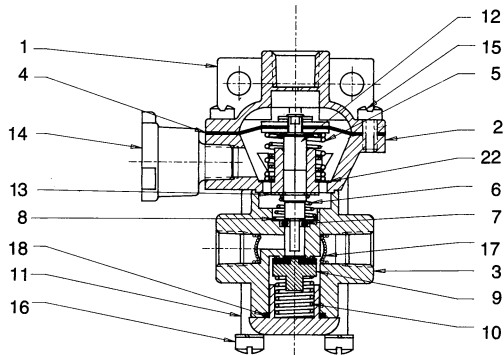
## SPECIFICATIONS

PORT SIZES: INLET, OUTLET & CONTROL .....	1/4-18 NPTF
EXHAUST .....	1/8-27 NPTF Equipped w/WM111B Breather
MAXIMUM OPERATING PRESSURE .....	150 PSI (1034 kPa)
OPERATING TEMPERATURE .....	-20° F to 200° F (-29° C to 93° C)
FLOW RATING .....	35 SCFM @ 100 PSI (1 m <sup>3</sup> /min @ 690 kPa)
MOUNTING .....	Integral Bracket on Cover and Two 1/4" Fasteners
MOUNTING ATTITUDE .....	Optional
MATERIALS: BODY .....	Die Cast Zinc Alloy
STEM .....	Aluminum
DIAPHRAGM .....	Fabric-Reinforced Buna N
POPPET .....	Buna N with Aluminum Backing
O-RINGS .....	Buna N
WEIGHT .....	13 oz. (0,4 kg)

## DIMENSIONAL DATA



## SECTIONAL VIEW



ITEM	DESCRIPTION	PART NUMBER	QTY.	ITEM	DESCRIPTION	PART NUMBER	QTY.
1	Inlet Body	103119	1	11	End Cap	118132	1
2	Center Body	103242	1	12	Stem	101630	1
3	Lower Body	103121	1	13	Snap Ring	116183	1
*4	Diaphragm Assembly	119479	1	14	WM111B Breather	111412	1
5	Spring	103597	1	15	Screw	119223	6
6	Spring	101629	1	16	Screw	118770	4
*7	O-Ring	116299	1	17	Screen	116456	2
*8	Snap Ring	116189	1	18	O-Ring	116380	1
*9	Poppet	103879	1	22	Washer	115093	1
10	Spring	101021	1				

Service these units with repair kit R147BC, C, part number 119480.  
\*Item is included in repair kit.

## ORDERING INFORMATION

TO ORDER, SPECIFY **WM147C**  
PART NUMBER 111527

## WILLIAMS CONTROLS, INC.

14100 SW 72ND AVENUE, PORTLAND, OREGON 97224  
TEL: (503) 684-8600, TELECOPIER: (503) 684-8610