

The T83 Automatic Transmission Shifter provides a stylish, ergonomic design with durable, long-life construction. The compact, space-saving design contains many features required in modern vehicles, while easily fitting into existing Medium-Duty Truck and School Bus designs.

The T83 is manufactured to the highest standards, encompassing simplicity and commonality of components. It can be adapted to fit specific applications and environments with a number of design and electrical options. It is an economical, reliable and adaptable solution for vehicle OEMs that use Mechanically Actuated Automatic Transmissions.

The T83 features customizable handles, allowing Vehicle OEMs to select a rugged transmission shifter with exceptional functionality that complements their dashboard design. In addition, the T83 display can be modified to reflect different transmission points required by the vehicle application.

The T83 Shifter is designed for all brands of Mechanically Actuated Automatic Transmissions equipped with an external Shift Shaft used on Medium-Duty Trucks and Buses.



SPECIFICATIONS

ELECTRICAL

SUPPLY VOLTAGE, DISPLAY LED	12Vdc or 24Vdc
CONNECTORS	Flying leads, connectors optional
LED INDICATOR	10,000-hour (continuous) rated

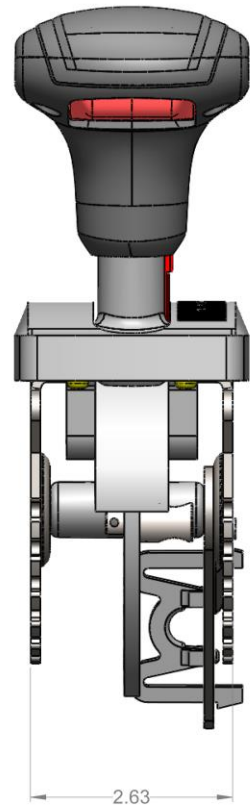
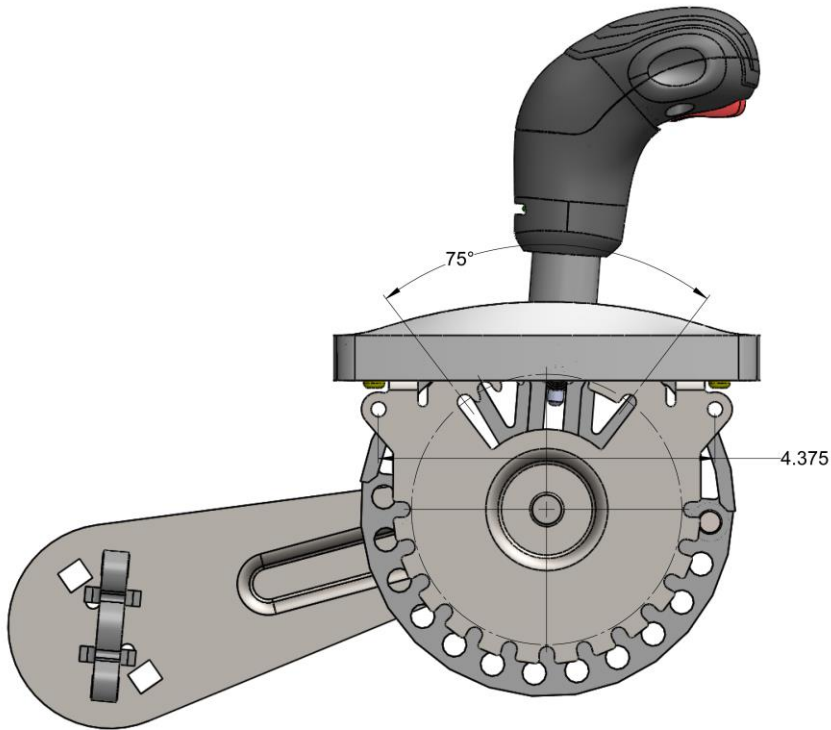
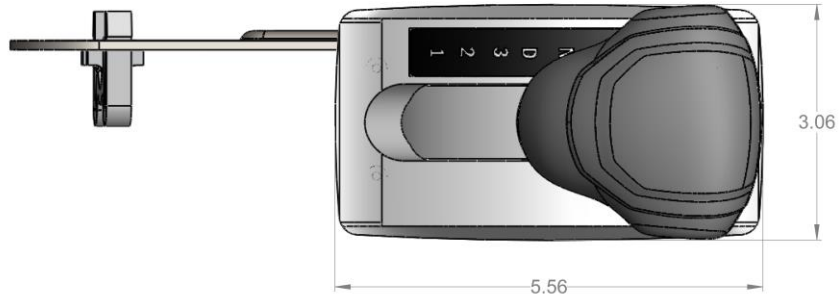
MECHANICAL

PUSH-PULL CABLE, CLAMP TYPE	1/4-28 or 5/16-24
ACTION RATING	2 million cycles
SHIFT DETENT	Positive detent in each position
CABLE EXIT POSITIONS	15°, 30°, 45°, 60°, 75°, 90°

ENVIRONMENTAL

PROTECTION RATING	IP67 above panel
OPERATING TEMPERATURE	-40°C to +85°C
STORAGE TEMPERATURE	-50°C to +85°C

MECHANICAL DIMENSIONS (mm)



© 2015 Curtiss-Wright. All rights reserved. Specifications are subject to change without notice.
All trademarks are property of their respective owners.

T83-11/17

**CURTISS -
WRIGHT**

USA Arlington Heights
Illinois
T: +1.847.844.4700

cwig.us@curtisswright.com
www.cw-industrialgroup.com

Europe Garching
Germany
T: +49.89.5404100.0

cwig.de@curtisswright.com
www.cw-industrialgroup.com

Asia Shanghai
China
T: +86.213.3310670

cwig.cn@curtisswright.com
www.cw-industrialgroup.com