

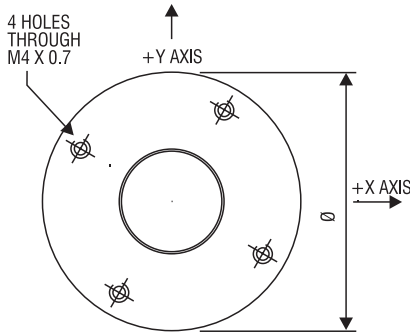
MULTI-AXIS SWITCHED JOYSTICK



SWJ1 OR SWJ2

The SWJ is a compact, low profile switched joystick that provides on/off finger tip control in up to two axes. Standing only 48mm high and capable of switching a resistive load of up to 1A.

The joystick can be supplied with or without a sealing gaiter.



Mechanical

Breakout Force	0.25N	Full deflection, 50mm above flange
Operating Force	1N	Full deflection, 50mm above flange
Maximum Applied Force	50N	Full deflection, 50mm above flange
Mechanical Angle of Movement	±15°	
Expected Life (operations)	> 100,000	
Mass	46g	

Environmental

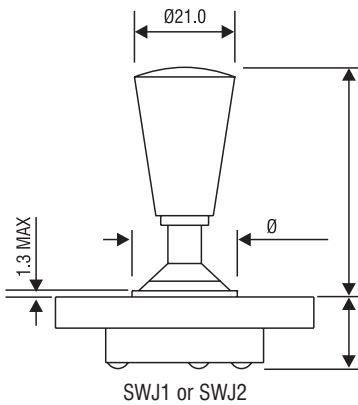
Operating Temperature Range	-20°C to +70°C
Storage Temperature Range	-40°C to +80°C
Environmental Sealing Above the Flange	Not sealed (without gaiter) IP65 (with gaiter) BSEN 60529

Electrical General

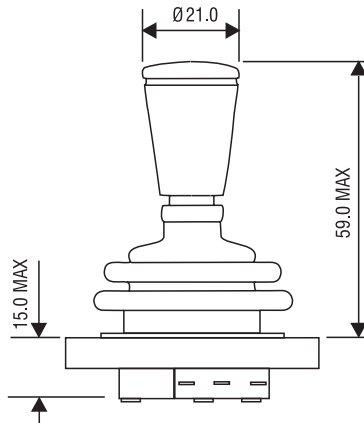
Maximum Resistive Load Current	1A @ 48Vdc
Connector	Terminate directly onto micro switches

Order Code

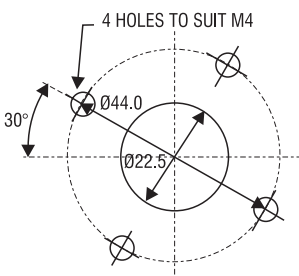
	Without gaiter	With Gaiter
Single Axis	SWJ1	D240551
Dual Axis	SWJ2	D240572



SWJ1 or SWJ2

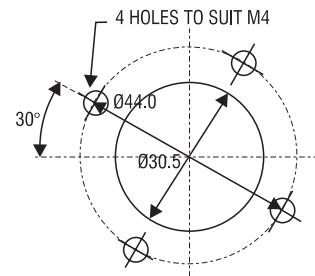


D240551 or D240572



PANEL MOUNTING DETAILS
SWJ1 or SWJ2

All dimensions in mm



PANEL MOUNTING DETAILS

D240551 or D240572