



Williams Controls

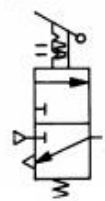
WM-781

Williams Customer Specification

Original Release: 09/82
Original Project: 119874



I. S. O. SYMBOL



APPLICATIONS

WM781A valves can be used to control any system, which requires a two position, normally closed control valve. They are ideally suited to control the actuation of power take off systems which are engaged by an air pressure signal and spring disengaged

OPERATION

TO actuate a WM781 valve, the control lever must be moved approximately 60° from the normally closed position. This depresses the valve stem to close the exhaust port and unseat the inlet poppet, allowing supply pressure to flow to the outlet. When the control lever is returned to the normally closed position the poppet seats, closing off airflow from the supply port to the outlet and the exhaust port opens to release outlet pressure to atmosphere

DESCRIPTION

WM781A valves can be used to control any system, which requires a two position, normally closed control valve. They are ideally suited to control the actuation of power take off systems which are engaged by an air pressure signal and spring disengaged.

CURTISS - WRIGHT	PROCEDURE NAME:						
	Williams Customer Specification Form						
DOCUMENT NUMBER:	119874	Revision Level	A	Date Effective	09/1982	DAF#	

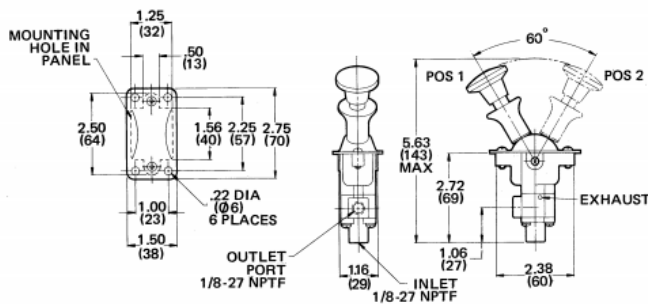


SPECIFICATION

Port Size	1/8-27 NPTF
Maximum Operating Pressure	150 PSI (1034, 2kPa)
Operating Temperature	-28.9°C to 93.3°C
Flow Rating	15 SCFM @ 100 PSI (0.4m ³ /min @ 690 kPa)
Mounting	Panel Mounted
Mounting Attitude	Optional
Materials	
Body Casting	Die Cast Zinc Alloy
Actuating Cam	Die Cast Zinc Alloy
Poppet	Buna N
O-rings	Buna N
Actuating Lever Shaft	Steel
Knob	Black Plastic
Safety Lockout	Yellow Plastic
Net Weight	
WM782A	9oz (0.2kg)
WM782A1	11oz (0.3kg)

For Continuous operation beyond this range, contact factory.

DIMENSIONS AND INSTALLATION



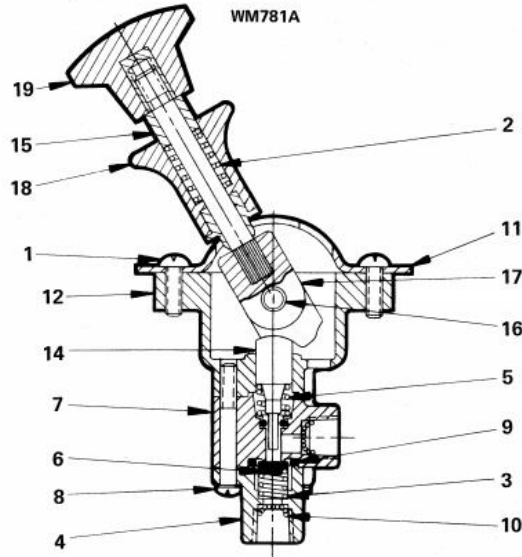
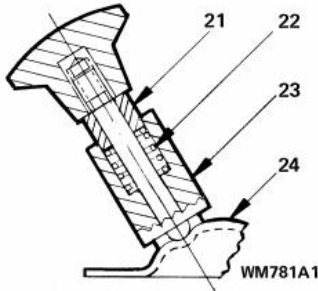
TO ORDER

To order Specify Model Number, Suffix, Part Number below				
Suffix	Part Number	Lever Features	1/8 to 1/4 NPTF Fittings	Interchanges W/ WABCO P/N
WM781 A	118315	SAFETY LOCKOUT	NO	2-HA-1L(P56332-0001) 2-HA-1LR(P59334-0001)
WM781 A1	118711	TWO DETENETS	YES	2-HA-1(P59331) 2-HA-1R(P59331)

CURTISS - WRIGHT	PROCEDURE NAME:						
	Williams Customer Specification Form						
DOCUMENT NUMBER:	119874	Revision Level	A	Date Effective	09/1982	DAF#	



PARTS IDENTIFICATION



ITEM	DESCRIPTION	QTY	
		WM781A	WM781A1
1	Screw (100110)	2	4
2	Spring (101082)	1	
3	Spring	1	1
4	Inlet Body	1	1
5	Spring	1	1
6	Poppet	1	1
7	Body Assy	1	1
8	Screw	3	3
9	O-Ring	1	1
11	Valve Cover (118288)	1	
12	Upper Body	1	1
14	Valve Stem	1	1
15	Handle Bushing (118295)	1	
16	Lever Pin	1	1
17	Cam Assy (118491)	1	1
18	Latch Assy (118303)	1	
19	Knob (118305)	1	1
21	Handle Bushing (118718)		1
22	Spring (101685)		1
23	Handle Detent (118719)		1
24	Valve Cover (118715)		1
NA	1/8 Male to 1/4 Female NPTF 90° Elbow (for outlets)		2
NA	1/8 Male to 1/4 Female NPTF Adapter (For inlet)		1

USA Portland
Oregon
T: +1.503.684.8600
cwig.us@curtisswright.com
www.cw-industrialgroup.com

Europe Garching
Germany
T: +44.89.5404.100.0
cwig.de@curtisswright.com
www.cw-industrialgroup.com

Asia Shanghai
China
T: +86.213.3310670
cwig.cn@curtisswright.com
www.cw-industrialgroup.com

CURTISS- WRIGHT	PROCEDURE NAME:	DEPT:	030			
	Williams Customer Specification Form					
DOCUMENT NUMBER:	119874	Revision Level	A	Date Effective	09/1982	DAF#