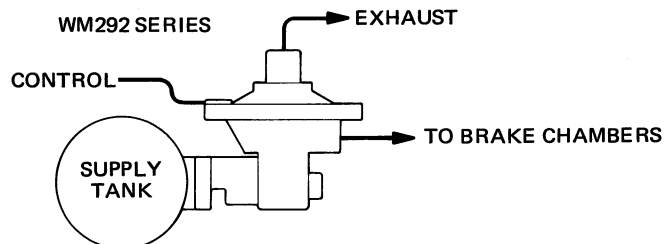
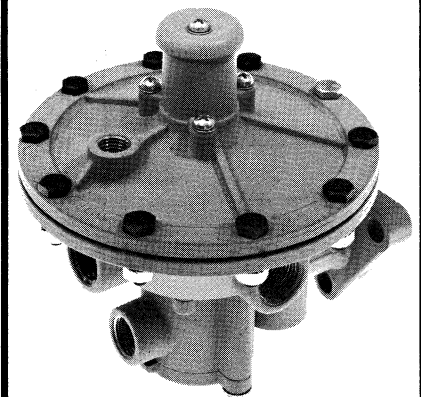
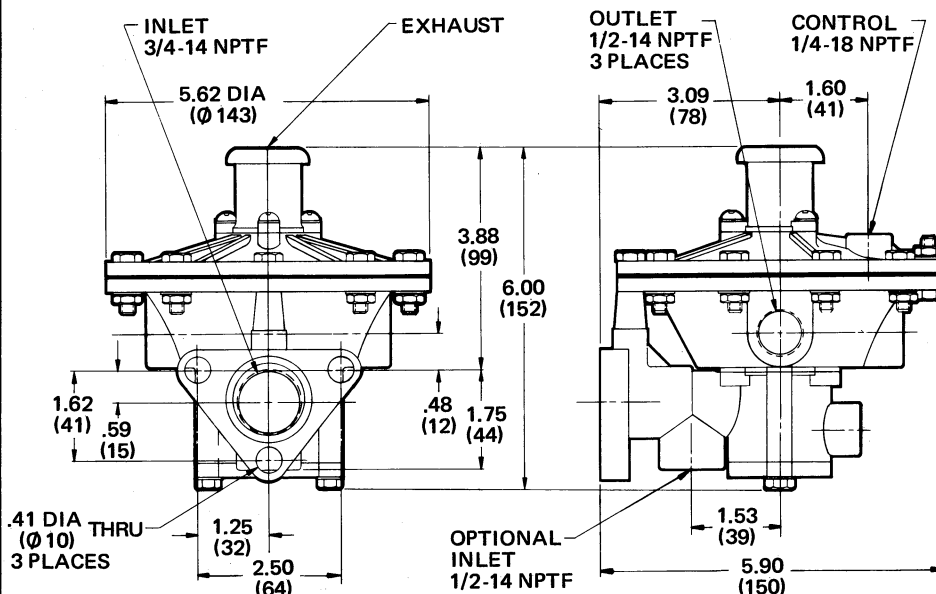
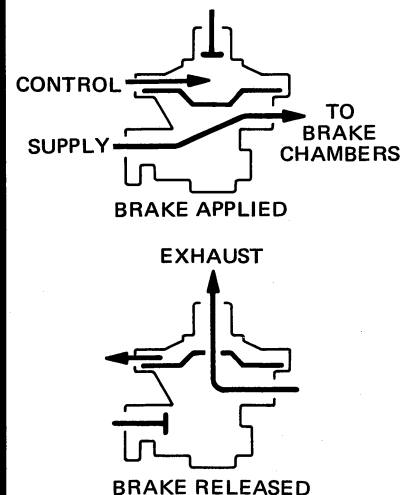
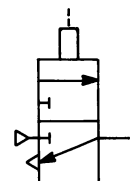


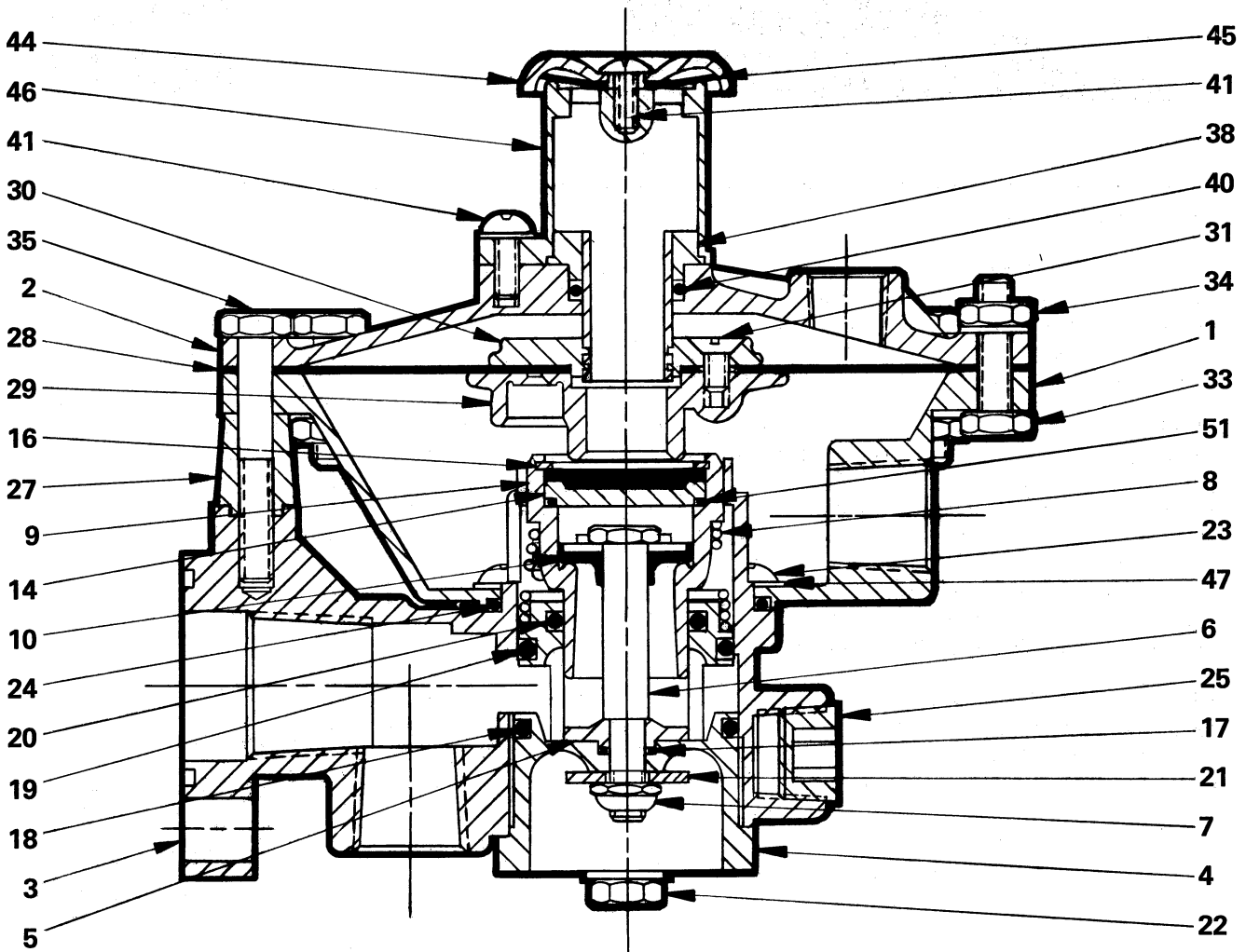
**PRODUCT DESCRIPTION**

**DESCRIPTION** Actuated by a control signal, the WM292B valves are three-way, compensating relay valves. Designed for either flange or pipe nipple mounting, these valves feature diaphragm construction and are capable of handling high volume air flow. Similar to the WM227 series relay valves, the WM292B relay includes a steel-backed poppet for continued operation under severe conditions.

**OPERATION** The WM292B relay valves are pilot-operated by a pressure signal from a modulating control valve. To actuate the relay valve, a control pressure of 3 PSI (20.7 kPa) is required against a 100 PSI (690 kPa) supply. When control pressure is applied, an internal diaphragm flexes, closing the exhaust port and opening the outlet port. Air flows from the supply port to the outlet port until the outlet pressure balances against the control pressure. When the operator decreases the control pressure, the valve decreases the outlet pressure a proportionate amount by exhausting the excess outlet pressure to the atmosphere. When the pilot control pressure is fully released, the valve discharges the outlet pressure through the exhaust port.

**APPLICATION** These relay valves are engineered for industrial or vehicular applications where precision modulation and large flow capacity are desired. In industrial applications, the WM292B relay valves are commonly used to activate large pneumatic cylinders. Each unit is supplied with two fittings to plug either of the two inlet ports.

**TYPICAL INSTALLATION**

**EXTERNAL CONFIGURATION**

**HIGH VOLUME  
COMPENSATING  
RELAY  
VALVE**
**FUNCTIONAL DIAGRAM**

**I.S.O. SYMBOL**




**PARTS IDENTIFICATION**

ITEM	DESCRIPTION	QTY.	ITEM	DESCRIPTION	QTY.
1	BODY	1	* 24	O-RING	1
2	COVER	1	25	FITTING	1
3	BRACKET	1	27	SUPPORT PILLAR	1
4	LOWER BODY	1	* 28	DIAPHRAGM	1
5	UPPER BODY	1	* 29	LOWER PLATE	1
6	STEM	1	* 30	UPPER PLATE	1
7	NUT	1	* 31	SCREW	6
8	SPRING	1	33	SCREW	9
9	INLET CAGE	1	34	LOCKNUT	9
* 10	POPPET	1	35	SCREW	1
* 14	EXHAUST DISC	1	38	SEAL RETAINER	1
16	RETAINING RING	1	* 40	O-RING	1
* 17	O-RING	1	41	SCREW	4
* 18	O-RING	1	44	EXHAUST CAP	1
* 19	O-RING	1	* 45	EXHAUST CHECK	1
* 20	O-RING	1	46	SPRING RETAINER	1
21	DISC	1	* 47	WASHER SEAL	4
22	SCREW	2	* 51	O-RING	1
23	SCREW	4			

Service this unit with repair kit number 114233.  
 Repair kit includes parts to service the cartridge assembly. To  
 replace only cartridge assembly, order part number 103384.  
 \*Asterisk designates parts included in repair kit 114233.

**SPECIFICATIONS**

PORT SIZES: Control . . . . . 1/4-18 NPTF  
 Inlet . . . . . 3/4-14 NPTF  
 Optional Inlet Port . . . . . 1/2-14 NPTF  
 Chamber Ports . . . . . 1/2-14 NPTF

MAXIMUM OPERATING PRESSURE. . . . . 150 PSI (1034,2 kPa)  
 OPERATING TEMPERATURE\* . . -20°F to 200°F (-28,9°C to 93,3°C)  
 FLOW RATING. . . . .400 SCFM @ 100 PSI (11,3 m<sup>3</sup>/min @ 690 kPa)  
 CRACKING PRESSURE . . 3 PSI (20,7 kPa) w/ 100 PSI (690 kPa) Supply

MOUNTING. . Bracket Secured to Frame, Bulkhead, Bracket or Air Tank  
 MOUNTING ATTITUDE . . . . . Exhaust Port Up Recommended

MATERIALS: Body Castings . . . . . Die Cast Zinc Alloy  
 Poppet . . . . . Buna N w/ Steel Backing  
 Seals . . . . . Buna N  
 Diaphragm . . . . . Fabric-Reinforced Buna N

NET WEIGHT. . . . . 5.5 lbs. (2,5 kg)

\*For continuous operation beyond this range, contact factory.

**TO ORDER, SPECIFY**  
**WM292B**  
 Model Number  
**PART NUMBER 111999**