

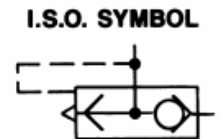


# Williams Controls

## WM-513

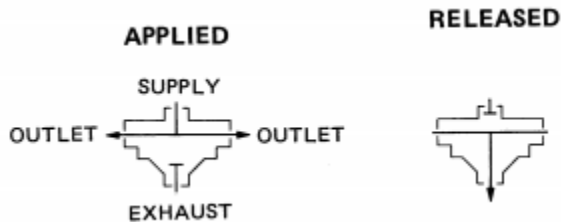
### Williams Customer Specification

Original Release: 07/85  
Original Project: 119775



#### DESCRIPTION

The WM513A quick release valve is used to reduce the time required to deactuate an air-operated device. It rapidly releases downstream pressure in response to decay in valve's supply. The WM513A has two outlet ports so it can simultaneously exhaust two brake chambers or air bags. This low cost, high flow quick release valve can be used as a replacement for most competitive units.



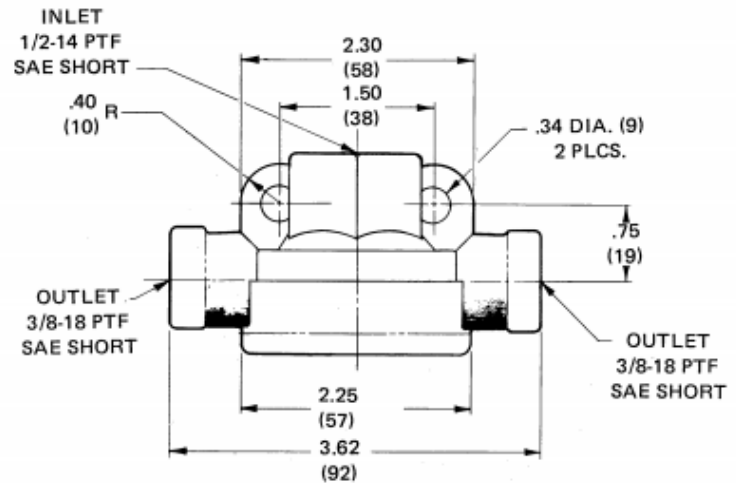
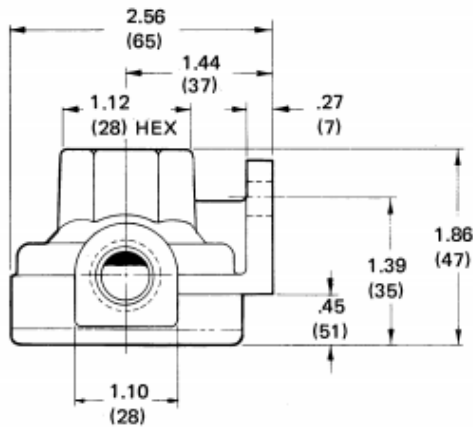
<b>CURTISS - WRIGHT</b>	PROCEDURE NAME:						
	<b>Williams Customer Specification Form</b>						
DOCUMENT NUMBER:	<b>119775</b>	Revision Level	A	Date Effective	07/1985	DAF#	



**SPECIFICATION**

<b>Port Size</b>	
Inlet	1/2-14 NPTF SAE Short
Outlet	3/8-18 NPTF
Maximum Operating Pressure	150 PSI (1034, 2kPa)
Operating Temperature	-40°C to 93.3°C
<b>Flow Rating</b>	
Inlet	380 SCFM @ 100 PSI (11.4 m <sup>3</sup> /min @ 690kPa)
Outlet	350 SCFM @ 100 PSI (10.5 m <sup>3</sup> /min @ 690kPa)
Cracking Pressure	Less than 1 PSI (6.9 kPa)
Mounting	Integral Bracket for 5/16" Fasteners
Mounting Attitude	Exhaust Port Down Recommended
<b>Materials</b>	
Body	Die Cast Zinc Alloy
Cover	Die Cast Zinc Alloy
Diaphragm	Buna N
Seal	Buna N
Weight	14oz (0.39kg)

For Continuous operation beyond this range, contact factory.



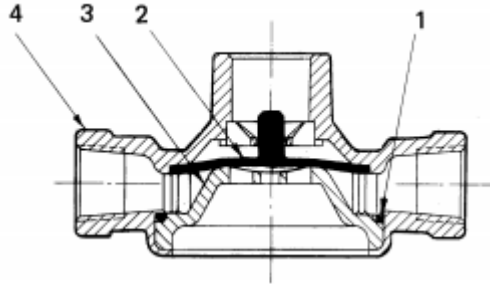
**TO ORDER**

To order Specify **WM513A, Part Number 119136**

	PROCEDURE NAME:					
	<b>Williams Customer Specification Form</b>					
DOCUMENT NUMBER:	<b>119775</b>	Revision Level	A	Date Effective	07/1985	DAF#



**PARTS IDENTIFICATION**



ITEM	DESCRIPTION	Part Numbers	QTY
1	Seal	119135	1
2	Diaphragm	119323	1
3	Cover	119140	1
4	Valve Body	119138	1

**USA**  
 Portland  
 Oregon  
 T: +1.503.684.8600  
 cwig.us@curtisswright.com  
 www.cw-industrialgroup.com

**Europe**  
 Garching  
 Germany  
 T: +44.89.5404.100.0  
 cwig.de@curtisswright.com  
 www.cw-industrialgroup.com

**Asia**  
 Shanghai  
 China  
 T: +86.213.3310670  
 cwig.cn@curtisswright.com  
 www.cw-industrialgroup.com

<b>CURTISS - WRIGHT</b>	PROCEDURE NAME:						
	<b>Williams Customer Specification Form</b>						
DOCUMENT NUMBER:	<b>119775</b>	Revision Level	A	Date Effective	07/1985	DAF#	